

GENERAL NOTES:

1. THIS PRODUCT HAS BEEN DESIGNED, TESTED AND MANUFACTURED TO COMPLY WITH THE REQUIREMENTS OF THE 2020 (7TH EDITION) & 2023 (8TH EDITION) FLORIDA BUILDING CODE, INCLUDING HIGH VELOCITY HURRICANE ZONE (HVHZ) SPECIFICATIONS.
2. ALL SHIMS, LOCATED AND APPLIED, SHALL BE HIGH-IMPACT, NON-METALLIC, NON-COMPRESSIBLE AND MADE OF MATERIALS AND THICKNESS CAPABLE OF SUSTAINING APPLICABLE LOADS.
3. SHIM AS REQUIRED AT EACH ANCHOR LOCATION WITH LOAD-BEARING SHIMS; AT 1/16" MINIMUM, 1/4" MAXIMUM. SHIM AS NEEDED FOR INSTALLATION.
4. 1BY WOOD BUCK OVER CONCRETE OR MASONRY IS OPTIONAL.
5. 1BY OR 2BY WOOD BUCKS, WOOD FRAMING AND MASONRY OPENINGS, BY OTHERS, MUST BE DESIGNED AND PROPERLY INSTALLED TO ADEQUATELY TRANSFER APPLIED PRODUCT LOADS TO THE BUILDING STRUCTURE, AND IS THE RESPONSIBILITY OF THE ARCHITECT OR ENGINEER OF RECORD.
6. WOOD BUCKS SHALL EXTEND BEYOND INTERIOR FACE OF THIS PRODUCT TO PROVIDE FULL FRAME SUPPORT.
7. WHERE 1BY WOOD BUCK IS USED, SEPARATE DISSIMILAR MATERIALS WITH APPROVED COATING OR MEMBRANE; SELECTION OF COATING OR MEMBRANE IS THE RESPONSIBILITY OF THE ARCHITECT OR ENGINEER OF RECORD.
8. WHERE WOOD BUCK THICKNESS IS LESS THAN 3/4", PRODUCT UNITS MUST BE INSTALLED IN ACCORDANCE WITH MANUFACTURER'S PUBLISHED INSTALLATION INSTRUCTIONS, AND SECURELY ANCHORED THROUGH THE WOOD BUCK AND INTO THE BUILDING STRUCTURAL SUBSTRATE.
9. WHERE WOOD BUCK THICKNESS IS GREATER THAN 1-1/2", PRODUCT UNITS MUST BE INSTALLED IN ACCORDANCE WITH MANUFACTURER'S PUBLISHED INSTALLATION INSTRUCTIONS, AND SECURELY ANCHORED INTO THE SECURED WOOD BUCK AND INTO THE BUILDING STRUCTURAL SUBSTRATE.
10. ALL UNITS MUST BE GLAZED PER ASTM E1300-04; SEE GLAZING DETAILS.
11. AN APPROVED IMPACT PROTECTIVE SYSTEM IS NOT REQUIRED FOR THIS PRODUCT IN WIND-BORNE DEBRIS REGIONS.
12. ALL ANCHORS AND FASTENERS SHALL BE CORROSION-RESISTANT, SPACED AS SHOWN ON DETAILS AND INSTALLED PER MANUFACTURER'S INSTRUCTIONS; SPECIFIED EMBEDMENT TO BASE MATERIAL SHALL BE BEYOND STUCCO OR WALL FINISHES.
13. FOR ANCHORING INTO 2BY BUCK OR WOOD STRUCTURES USE 5/16" ELCO ULTRACON SCREWS, OR EQUIVALENT, WITH SUFFICIENT LENGTH TO ACHIEVE A 1-1/2" MINIMUM EMBEDMENT INTO THE BUILDING SUBSTRATE. LOCATE ANCHORS AS SHOWN ON ELEVATIONS AND INSTALLATION DETAILS.
14. FOR ANCHORING INTO CONCRETE OR MASONRY STRUCTURES USE 1/4" ELCO ULTRACON SCREWS, OR EQUIVALENT, WITH SUFFICIENT LENGTH TO ACHIEVE A 1-3/4" MINIMUM EMBEDMENT INTO THE BUILDING SUBSTRATE WITH 2-1/2" MINIMUM EDGE DISTANCE. LOCATE ANCHORS AS SHOWN ON ELEVATIONS AND INSTALLATION DETAILS.
15. FOR ANCHORING INTO METAL STRUCTURES USE #14 SMS, SELF-DRILLING SCREWS, OR EQUIVALENT, WITH SUFFICIENT LENGTH TO ACHIEVE FULL PENETRATION AND THREE (3) THREADS MINIMUM BEYOND THE INTERIOR METAL STRUCTURE. LOCATE ANCHORS AS SHOWN ON ELEVATIONS AND INSTALLATION DETAILS.
16. DISSIMILAR MATERIALS, INCLUDING BUT NOT LIMITED TO METAL SCREWS, THAT COME INTO CONTACT SHALL BE PAINTED OR PLATED PER REQUIREMENTS OF THE FLORIDA BUILDING CODE AND ADOPTED STANDARDS.
17. INSTALLATION ANCHORS SHALL BE INSTALLED IN ACCORDANCE WITH ANCHOR MANUFACTURER'S INSTALLATION INSTRUCTIONS AND ANCHORS SHALL NOT BE USED IN SUBSTRATES WITH STRENGTHS LESS THAN THE MINIMUM STRENGTH SPECIFIED BELOW:
  - A. WOOD:  
MINIMUM SPECIFIC GRAVITY OF G=0.55.
  - B. CONCRETE:  
MINIMUM COMPRESSIVE STRENGTH OF 3,000 PSI.
  - C. MASONRY:  
HOLLOW/FILLED BLOCK PER ASTM C90, F'M = 2,000 PSI MINIMUM.
  - D. METAL STRUCTURE(S):  
ALUMINUM: 1/8" MINIMUM THICKNESS, 6063-T5 MINIMUM;  
STEEL: 1/8" MINIMUM THICKNESS, FY=33 KSI MINIMUM;  
METAL STUD: 16 GA. MINIMUM.
19. THIS PRODUCT APPROVAL IS GENERIC AND DOES NOT PROVIDE INFORMATION FOR A SITE-SPECIFIC PROJECT, I.E., LIFE-SAFETY OF THIS PRODUCT, ADEQUACY OF STRUCTURE RECEIVING THIS PRODUCT AND WEATHER-SEALING FOR WATER INFILTRATION RESISTANCE, ETC.
20. REFER TO INSTALLATION MANUAL FOR REQUIRED SEALANTS.
21. CONDITIONS NOT SHOWN IN THESE DRAWINGS ARE TO BE ANALYZED SEPARATELY AND REVIEWED BY THE BUILDING OFFICIAL.
22. DESIGN LOADS, IN THIS PRODUCT APPROVAL, ARE NOMINAL PRESSURES; ULTIMATE PRESSURES PROVIDED SHALL BE CALCULATED BY A FACTOR OF 0.6 TO DETERMINE NOMINAL PRESSURES.

# SERIES SGD 1000

## SLIDING GLASS DOOR SYSTEM

### PRODUCT APPROVAL FBC (2020/2023): FL# 31650.1



SHEET SECTION INDEX:

- 1.0 COVER SHEET & GENERAL NOTES
- 2.0 TYPICAL UNIT ELEVATIONS
- 3.0 ANCHOR LAYOUT & SPACINGS
- 4.0 TYPICAL UNIT CONFIGURATIONS
- 5.0 TYPICAL SYSTEM DETAILS
- 6.0 GLAZING CHARTS & NOTES
- 7.0 ANCHORING CHARTS & NOTES
- 8.0 SUBSTRATE ANCHORING DETAILS
- 9.0 GLAZING OPTIONS
- 10.0 BILL OF MATERIALS & HARDWARE

INSTRUCTIONS:

- (USE CHARTS AS FOLLOWS.)
1. DETERMINE DESIGN WIND LOAD REQUIREMENT BASED ON WIND VELOCITY, BUILDING HEIGHT, WIND ZONE USING APPLICABLE ASCE 7 STANDARDS.
  2. DETERMINE DOOR CAPACITY FROM DESIGN LOAD CHARTS IN SECTIONS 6.0 AND 9.0 FOR GLASS TYPE AND REINFORCEMENT APPLICATION.
  3. USING CHARTS IN SECTION 7.0 AND ANCHOR CONDITIONS IN SECTION 8.0, SELECT ANCHOR OPTION WITH DESIGN RATING GREATER THAN THE DESIGN LOAD SPECIFIED IN STEP 1, ABOVE.
  4. THE LOWEST VALUE RESULTING FROM STEPS 2 AND 3 SHALL APPLY TO THE ENTIRE SYSTEM.

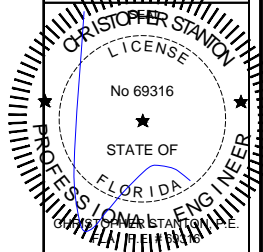
THIS SYSTEM HEREIN, USING LAMINATED AND INSULATED, LAMINATED GLASS, ARE RATED FOR LARGE, SMALL MISSILE IMPACT AND NON-IMPACT, (L.M.I./S.M.I.).

APPLICABLE EGRESS REQUIREMENTS PER THE FLORIDA BUILDING CODE, (FBC) TO BE REVIEWED BY BUILDING OFFICIAL.

REVISIONS:	NO.	DATE	DESCRIPTION
	1		
	2		
	3		
	4		

THIS DRAWING SET IS AN INSTRUMENT OF SERVICE AND IS THE PROPERTY OF STANTON ENGINEERING, INC. AND IS NOT TO BE REPRODUCED, IN PART, OR AS A WHOLE, WITHOUT THE EXPRESSED, WRITTEN PERMISSION OF STANTON ENGINEERING, INC.

SHOP DRAWINGS ARE REVIEWED FOR STRUCTURAL DETAILS ONLY!



**STANTON ENGINEERING, INC.**  
STRUCTURAL ENGINEERING SERVICES  
2701 NORTHWEST BOCA RATON BOULEVARD, SUITE 204  
BOCA RATON, FLORIDA 33431  
TEL: (561) 393-1008  
FAX: (561) 393-1003

**SERIES SGD 1000**  
SLIDING GLASS DOOR SYSTEM  
PRODUCT APPROVAL FBC (2020): FL# 31650.1

**VELOCITY IMPACT PRODUCTS**  
2200 AVENUE L, WEST PALM BEACH, FLORIDA, 33404  
TEL: (561) 428-5740 NET: www.velocityimpactproducts.com

SUBMIT DATE: 01APR2019

DRAWN BY: KJT

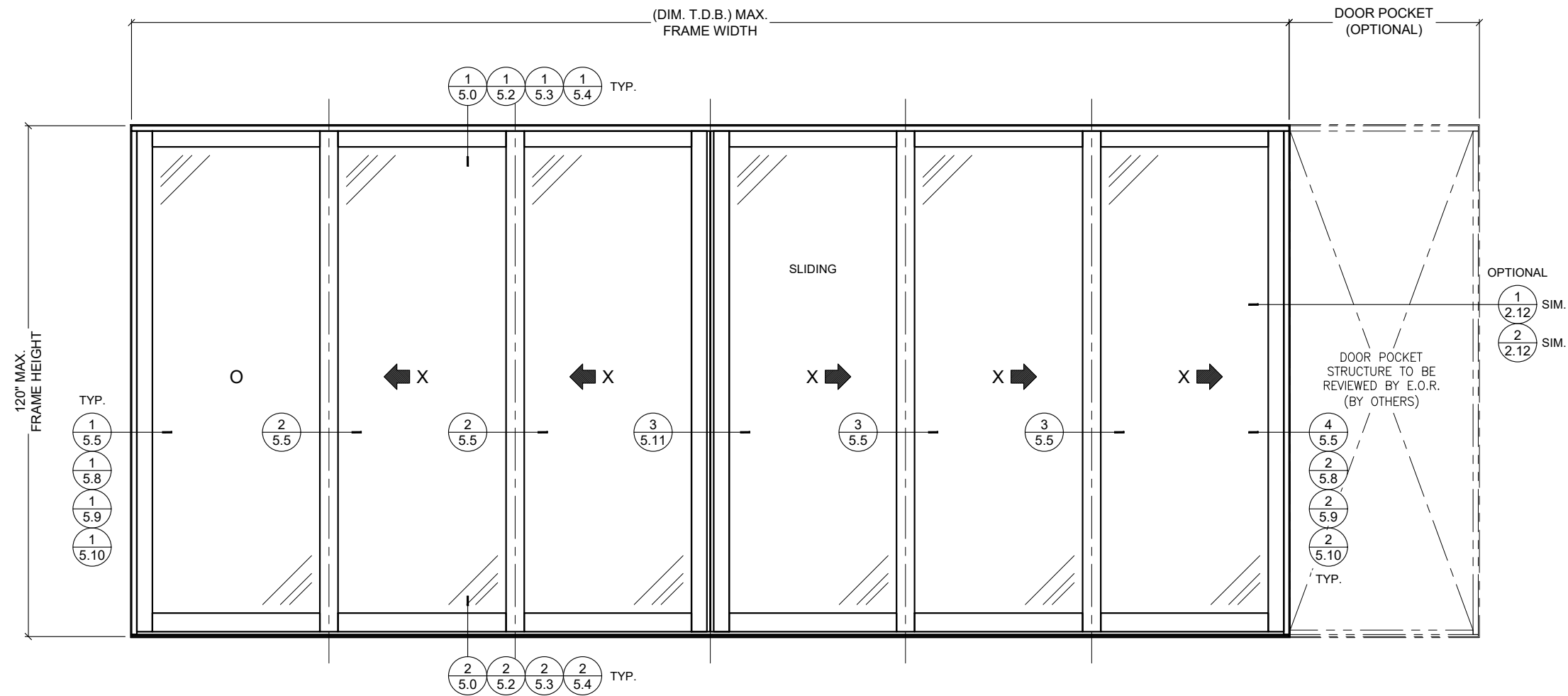
CHECKED BY: CS

DESCRIPTION  
GENERAL NOTES

SCALE: FULL [1:1]

PLOT SIZE: ANSI B (11" X 17")

SHEET NO.  
**1.0** 01 of 42  
JOB NO. 0000-00



**1** SGD 1000 SERIES  
**2.0** TYPICAL EXTERIOR ELEVATION

UNLIMITED NUMBER OF PANELS, IN UNLIMITED CONFIGURATIONS, WITH OR WITHOUT POCKETS, ARE APPROVED AS LONG AS INDIVIDUAL PANEL SIZE DOES NOT EXCEED MAXIMUM TESTED PANEL SIZE, (W X H), AND USES VERTICAL CONDITIONS, AS SHOWN, AND NOT TO EXCEED:  
 60" FRAME WIDTH X 120" FRAME HEIGHT = 50 SQ. FT FRAME AREA.

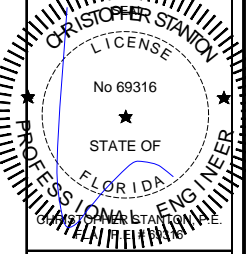
GENERAL NOTES:

- ALL ELEVATIONS, AS SHOWN, ARE FOR TYPICAL DETAIL REFERENCE ONLY. PANELS, INTERLOCKS AND MEETING STILE ORIENTATIONS MAY BE CONFIGURED, AS NEEDED, ALLOWABLE A TWO-TRACK, TWO-TRACK WITH SCREEN, THREE-TRACK, FOUR-TRACK & FIVE-TRACK FRAMES; SO LONG AS MAXIMUM PANEL FRAME AREA DOES NOT EXCEED 50 SQ. FT.
- MAXIMUM PANEL SIZE:  
61-9/16" WIDTH X 118-1/2" HEIGHT.
- MAXIMUM DAYLIGHT OPENING, (D.L.O.):  
53-9/16" WIDTH X 110-1/8" HEIGHT.
- SEE SHEET 8.14 FOR WEEP HOLE INFORMATION.
- SEE INSTALLATION NOTES FOR REQUIRED SEALANTS.

REVISIONS:	NO.	DATE	DESCRIPTION
	1		
	2		
	3		
	4		

THIS DRAWING SET IS AN INSTRUMENT OF SERVICE AND IS THE PROPERTY OF STANTON ENGINEERING, INC. AND IS NOT TO BE REPRODUCED, IN PART, OR AS A WHOLE, WITHOUT THE EXPRESSED, WRITTEN PERMISSION OF STANTON ENGINEERING, INC.

SHOP DRAWINGS ARE REVIEWED FOR STRUCTURAL DETAILS ONLY!

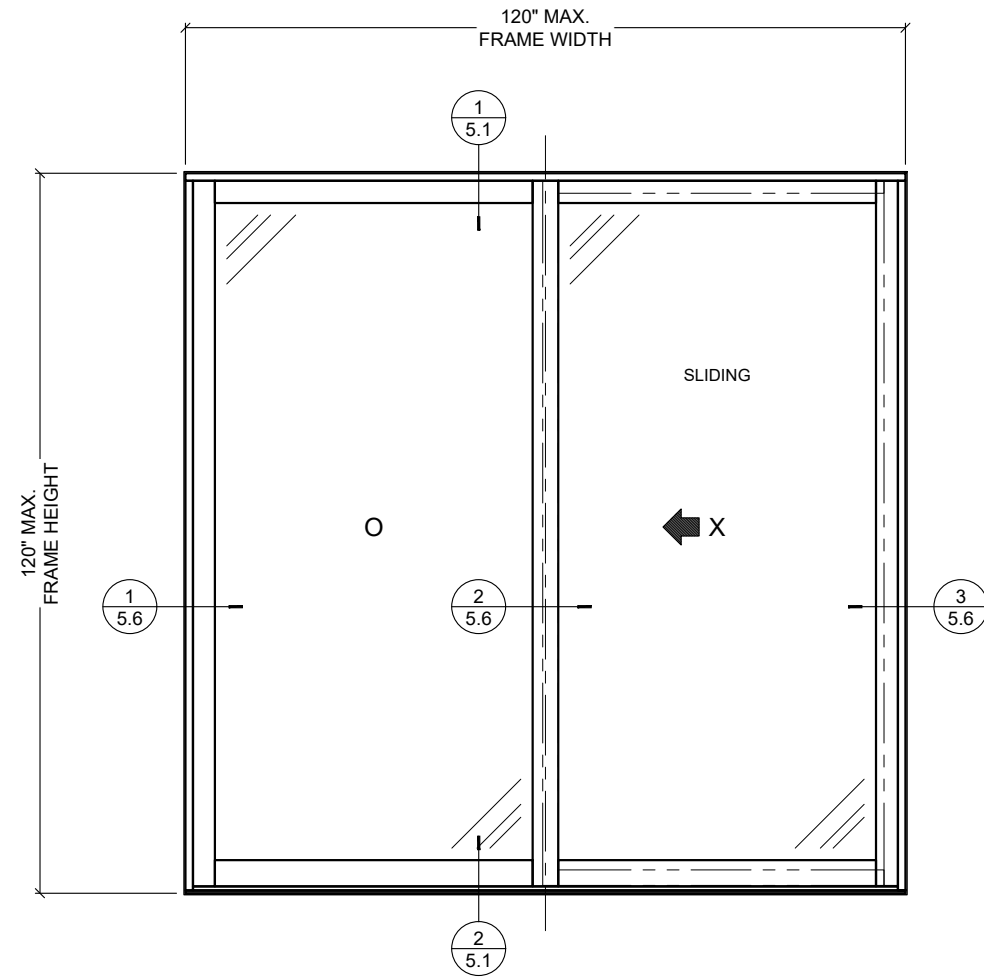


**STANTON ENGINEERING, INC.**  
**STRUCTURAL ENGINEERING SERVICES**  
 2701 NORTHWEST BOCA RATON BOULEVARD, SUITE 204  
 BOCA RATON, FLORIDA 33431  
 TEL: (661) 393-1008  
 FAX: (661) 393-1008

**SERIES SGD 1000**  
 SLIDING GLASS DOOR SYSTEM  
 PRODUCT APPROVAL FBC (2020): FL# 31650.1

**VELOCITY IMPACT PRODUCTS**  
 2200 AVENUE L, WEST PALM BEACH, FLORIDA, 33404  
 TEL: (901) 428-5740 NET: www.velocityimpactproducts.com

SUBMIT DATE:	01APR2019
DRAWN BY:	KJT
CHECKED BY:	CS
DESCRIPTION	TYPICAL ELEVATIONS
SCALE:	3/8" = 1'-0" [1:32]
PLOT SIZE:	ANSI B (11" X 17")
SHEET NO.	2.0 02 of 42
JOB NO.	0000-00



**2** **SGD 1000 SERIES**  
**2.1** **TWO-TRACK W/ SCREEN EXTERIOR ELEVATION**

UNLIMITED NUMBER OF PANELS, IN UNLIMITED CONFIGURATIONS, WITH OR WITHOUT POCKETS, ARE APPROVED AS LONG AS INDIVIDUAL PANEL SIZE DOES NOT EXCEED MAXIMUM TESTED PANEL SIZE, (W X H), AND USES VERTICAL CONDITIONS, AS SHOWN, AND NOT TO EXCEED:  
 60" FRAME WIDTH X 120" FRAME HEIGHT = 50 SQ. FT FRAME AREA.

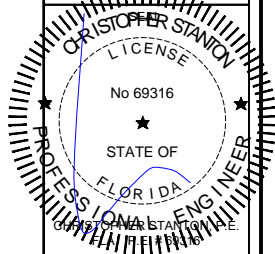
**GENERAL NOTES:**

1. ALL ELEVATIONS, AS SHOWN, ARE FOR TYPICAL DETAIL REFERENCE ONLY. PANELS, INTERLOCKS AND MEETING STILE ORIENTATIONS MAY BE CONFIGURED, AS NEEDED, ALLOWABLE A TWO-TRACK, TWO-TRACK WITH SCREEN, THREE-TRACK, FOUR-TRACK & FIVE-TRACK FRAMES; SO LONG AS MAXIMUM PANEL FRAME AREA DOES NOT EXCEED 50 SQ. FT.
2. MAXIMUM PANEL SIZE:  
61-9/16" WIDTH X 118-1/2" HEIGHT.
3. MAXIMUM DAYLIGHT OPENING, (D.L.O.):  
53-9/16" WIDTH X 110-1/8" HEIGHT.
4. SEE SHEET 8.14 FOR WEEP HOLE INFORMATION.
5. SEE INSTALLATION NOTES FOR REQUIRED SEALANTS.

REVISIONS:	NO.	DATE	DESCRIPTION
	1		
	2		
	3		
	4		

THIS DRAWING SET IS AN INSTRUMENT OF SERVICE AND IS THE PROPERTY OF STANTON ENGINEERING, INC. AND IS NOT TO BE REPRODUCED, IN PART, OR AS A WHOLE, WITHOUT THE EXPRESSED, WRITTEN PERMISSION OF STANTON ENGINEERING, INC.

SHOP DRAWINGS ARE REVIEWED FOR STRUCTURAL DETAILS ONLY!



**STANTON ENGINEERING, INC.**  
**STRUCTURAL ENGINEERING SERVICES**

2701 NORTHWEST BOCA RATON BOULEVARD, SUITE 204  
 BOCA RATON, FLORIDA 33431  
 TEL: (661) 393-1003  
 FAX: (661) 393-1008

**SERIES SGD 1000**  
 SLIDING GLASS DOOR SYSTEM  
 PRODUCT APPROVAL FBC (2020): FL# 31650.1

**VELOCITY IMPACT PRODUCTS**  
 2200 AVENUE L, WEST PALM BEACH, FLORIDA, 33404  
 TEL: (901) 428-5740 NET: www.velocityimpactproducts.com

SUBMIT DATE: 01APR2019

DRAWN BY: KJT

CHECKED BY: CS

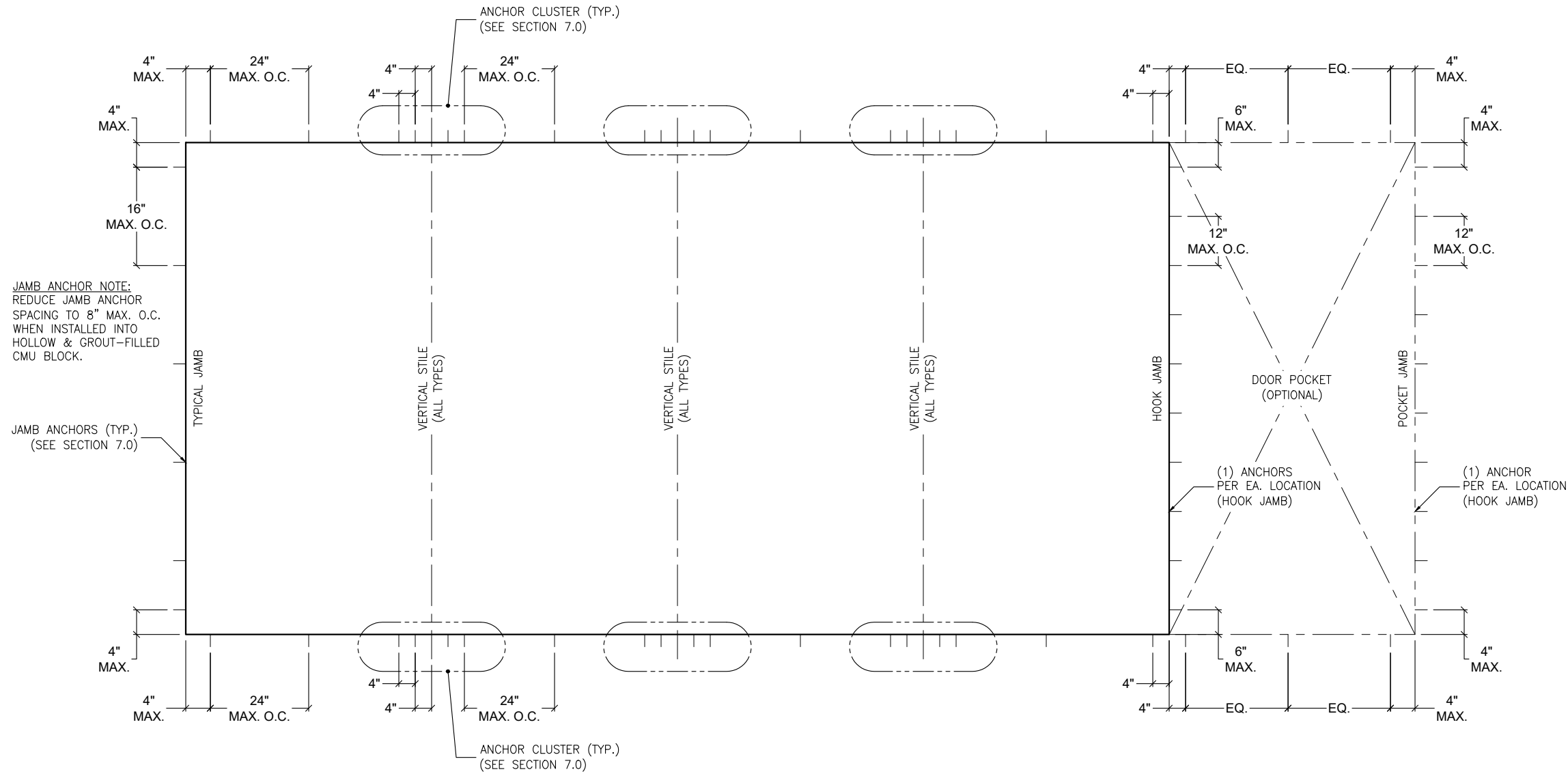
DESCRIPTION  
 TYPICAL ELEVATIONS

SCALE: 3/8" = 1'-0" [1:32]

PLOT SIZE: ANSI B (11" X 17")

SHEET NO.

**2.1** 03 of 42  
 JOB NO. 0000-00



JAMB ANCHOR NOTE:  
REDUCE JAMB ANCHOR  
SPACING TO 8" MAX. O.C.  
WHEN INSTALLED INTO  
HOLLOW & GROUT-FILLED  
CMU BLOCK.

JAMB ANCHORS (TYP.)  
(SEE SECTION 7.0)

**1** SGD 1000 SERIES  
**3.0** TYPICAL ANCHOR LAYOUT, (FOR ALL SGD SYSTEMS)

**GENERAL NOTES:**

1. THIS LAYOUT, AS SHOWN, IS FOR TYPICAL ANCHOR REFERENCE ONLY. PANELS, INTERLOCKS AND MEETING STILE ORIENTATIONS MAY BE CONFIGURED AS NEEDED ALLOWABLE A TWO-TRACK, TWO-TRACK WITH SCREEN, THREE-TRACK, FOUR-TRACK & FIVE-TRACK FRAMES.

**ANCHOR NOTES:**

1. FOR MINIMUM ANCHORAGE REQUIREMENTS, REFER TO SECTION 7.0.
2. USE CHARTS IN SECTIONS 7.0 AND 9.0, IN CONJUNCTION WITH GLAZING DESIGN LOAD CAPACITIES CHARTS IN SECTION 6.0 FOR APPLICABLE VALUES CONTROL.
3. FOR SUBSTRATE ANCHORING CONDITIONS, REFER TO THE FOLLOWING:

AT HEAD: SHEETS 8.0 THRU 8.3;  
AT SILL: SHEETS 8.4 THRU 8.8;  
AT JAMBS: SHEETS 8.9 THRU 8.12.

**IMPOSED LOADS NOTE:**

BUILDING STRUCTURES, NOT BY VELOCITY IMPACT PRODUCTS, MUST SUPPORT AND TRANSFER LOADS IMPOSED BY GLAZING SYSTEM TO THE BUILDING STRUCTURE.

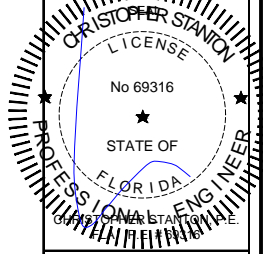
**SUBSTRATE NOTES:**

WOOD STRUCTURES: SG = 0.55 MIN.  
CONC. OR MASONRY: F'C = 3,000 PSI MIN.  
C-90 GROUT-FILLED BLOCK: F'M = 2,000 PSI MIN.

REVISIONS:	NO.	DATE	DESCRIPTION
	1		
	2		
	3		
	4		

THIS DRAWING SET IS AN INSTRUMENT OF SERVICE AND IS THE PROPERTY OF STANTON ENGINEERING, INC. AND IS NOT TO BE REPRODUCED, IN PART, OR AS A WHOLE, WITHOUT THE EXPRESSED, WRITTEN PERMISSION OF STANTON ENGINEERING, INC.

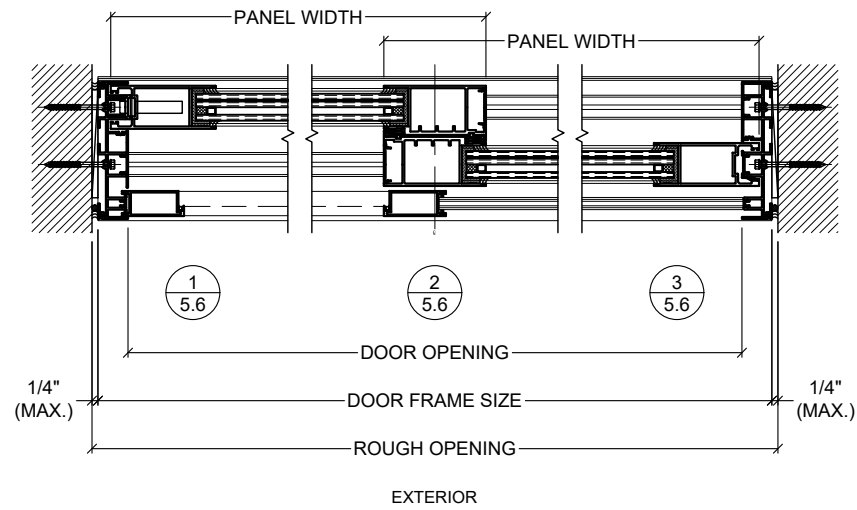
SHOP DRAWINGS ARE REVIEWED FOR STRUCTURAL DETAILS ONLY!



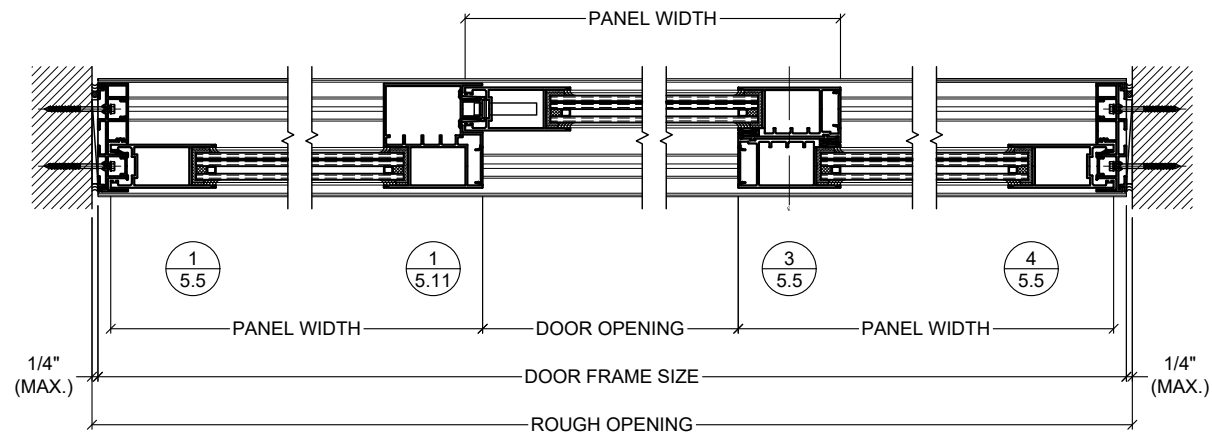
**STANTON ENGINEERING, INC.**  
STRUCTURAL ENGINEERING SERVICES  
2701 NORTHWEST BOCA RATON BOULEVARD, SUITE 204  
BOCA RATON, FLORIDA 33431  
TEL: (561) 393-1003  
FAX: (561) 393-1008

**SERIES SGD 1000**  
SLIDING GLASS DOOR SYSTEM  
PRODUCT APPROVAL FBC (2020): FL# 31650.1  
**VELOCITY IMPACT PRODUCTS**  
2200 AVENUE L, WEST PALM BEACH, FLORIDA, 33404  
TEL: (561) 428-5740 NET: www.velocityimpactproducts.com

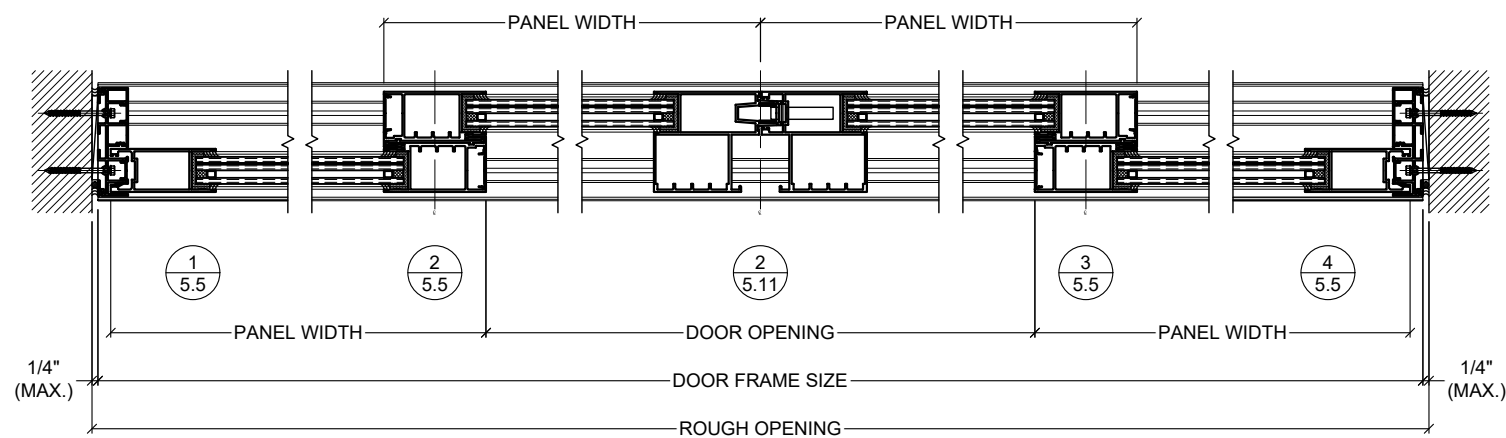
SUBMIT DATE:	01APR2019
DRAWN BY:	KJT
CHECKED BY:	CS
DESCRIPTION	ANCHOR LAYOUT
SCALE:	3/8" = 1'-0" [1:32]
PLOT SIZE:	ANSI B (11" X 17")
SHEET NO.	<b>3.0</b> 04 of 42
JOB NO.	0000-00



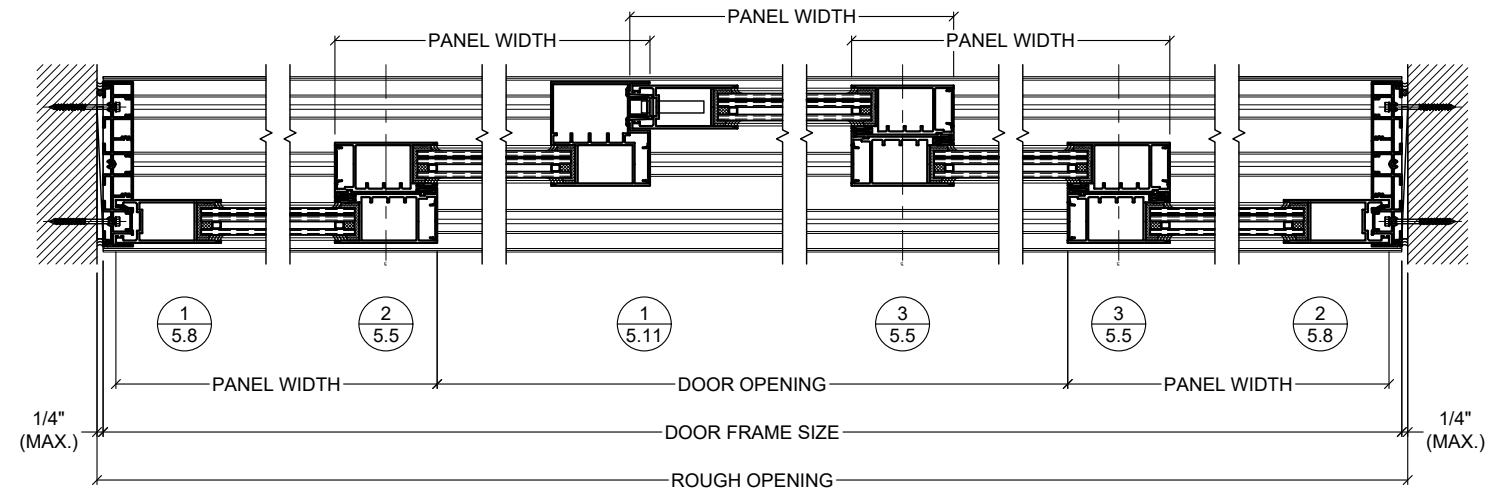
EXTERIOR



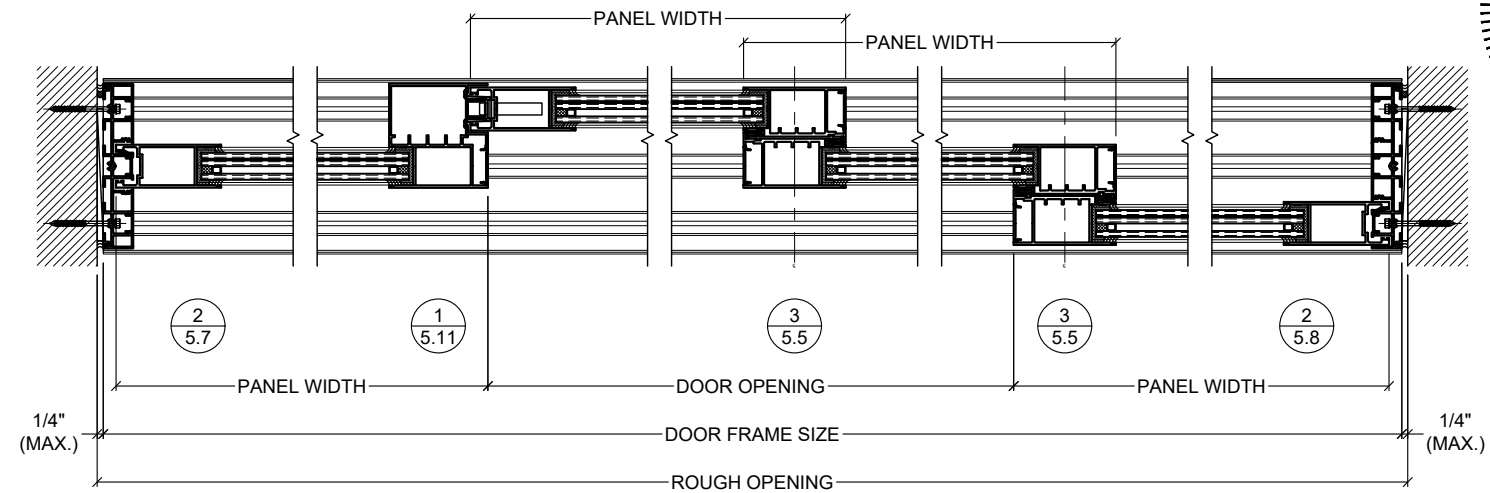
EXTERIOR



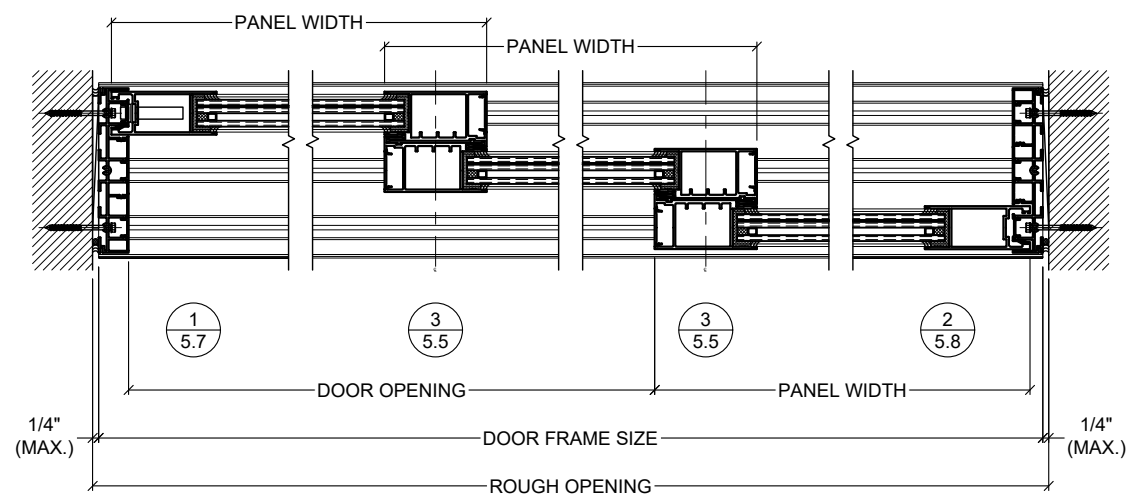
EXTERIOR



EXTERIOR



EXTERIOR



EXTERIOR

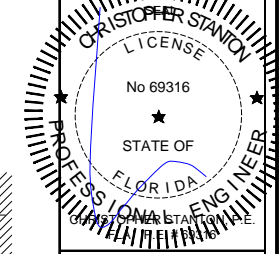
GENERAL NOTES:

- ALL ELEVATIONS, AS SHOWN, ARE FOR ILLUSTRATIVE REFERENCES ONLY. PANELS, INTERLOCKS AND MEETING STILE ORIENTATIONS MAY BE CONFIGURED, AS NEEDED, ALLOWABLE A TWO-TRACK, TWO-TRACK WITH SCREEN, THREE-TRACK, FOUR-TRACK & FIVE-TRACK FRAMES.
- REFER TO SECTION 6.0 FOR APPLICABLE DESIGN PRESSURES WITH, AND WITHOUT, REINFORCEMENT.
- FOR ANCHORING DESIGN LOAD CHARTS, REQUIREMENTS AND DETAILS, SEE SECTIONS 7.0 AND 8.0.
- DOOR POCKETS ARE OPTIONAL BUILDING STRUCTURES, BY OTHERS, TO BE REVIEWED BY E.O.R.
- DOORS SHALL MEET APPLICABLE EGRESS REQUIREMENTS PER THE FLORIDA BUILDING CODE, (FBC).

REVISIONS:	NO.	DATE	DESCRIPTION
	1		
	2		
	3		
	4		

THIS DRAWING SET IS AN INSTRUMENT OF SERVICE AND IS THE PROPERTY OF STANTON ENGINEERING, INC., AND IS NOT TO BE REPRODUCED, IN PART, OR AS A WHOLE, WITHOUT THE EXPRESSED, WRITTEN PERMISSION OF STANTON ENGINEERING, INC.

SHOP DRAWINGS ARE REVIEWED FOR STRUCTURAL DETAILS ONLY!



**STANTON ENGINEERING, INC.**  
**STRUCTURAL ENGINEERING SERVICES**  
 2701 NORTHWEST BOCA RATON BOULEVARD, SUITE 204  
 BOCA RATON, FLORIDA 33431  
 TEL: (561) 393-1003  
 FAX: (561) 393-1008

**PROJECT:** SERIES SGD 1000  
**OWNER:** VELOCITY IMPACT PRODUCTS  
 SLIDING GLASS DOOR SYSTEM  
 PRODUCT APPROVAL FBC (2020): FL# 31650.1  
 2200 AVENUE L, WEST PALM BEACH, FLORIDA, 33404  
 TEL: (561) 425-5740 NET: www.velocityimpactproducts.com

SUBMIT DATE: 01APR2019  
 DRAWN BY: KJT  
 CHECKED BY: CS

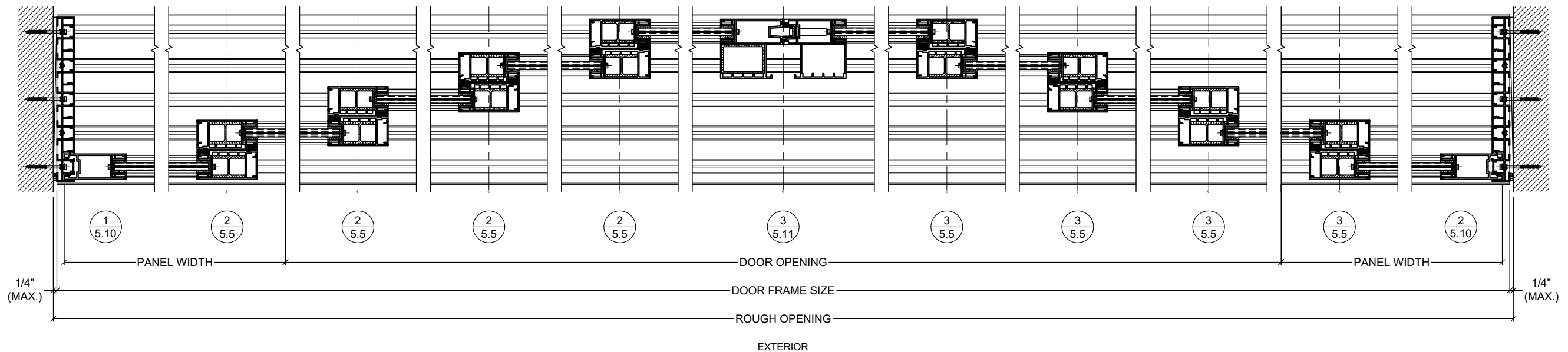
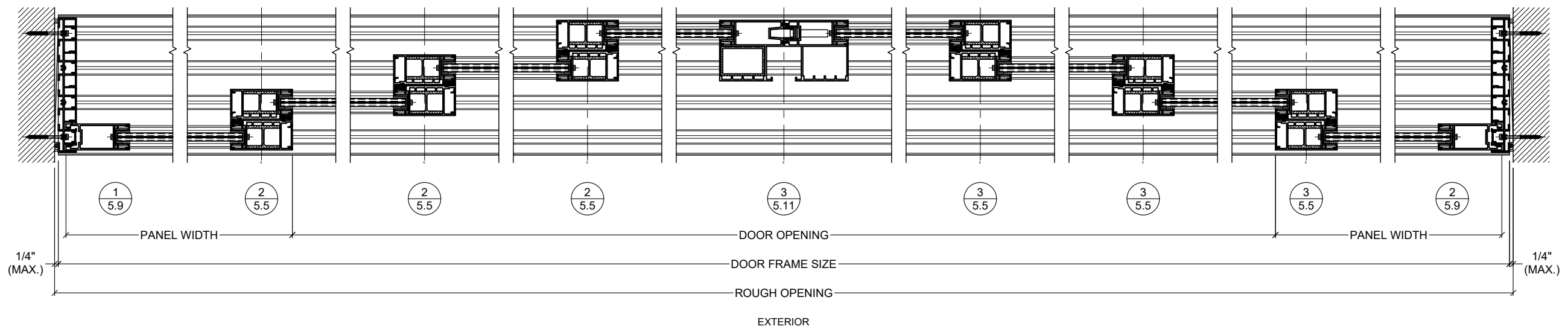
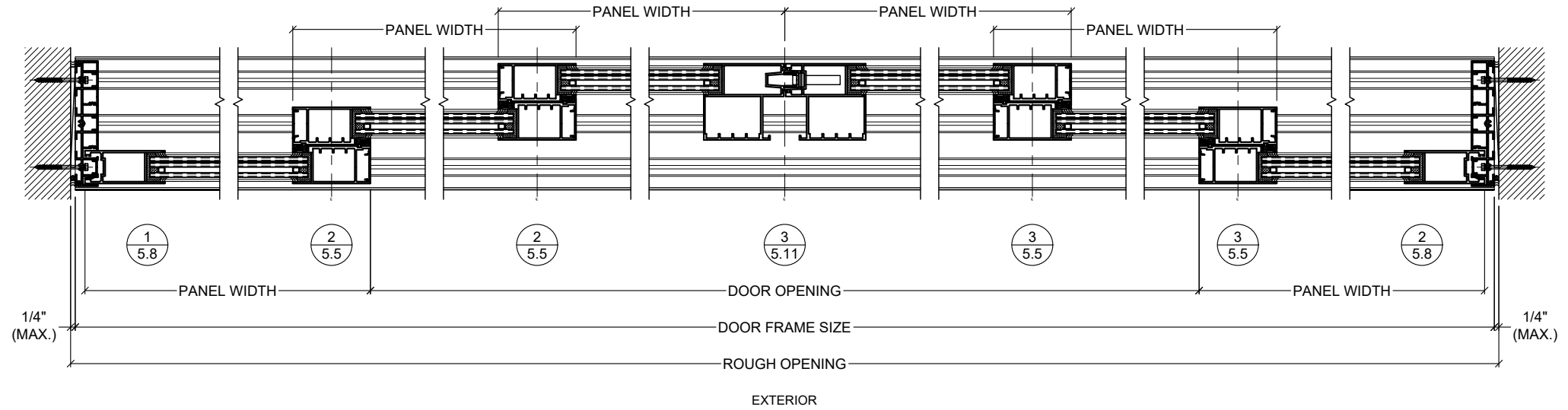
DESCRIPTION  
 TYPICAL LAYOUTS  
 SCALE: 1-1/2" = 1'-0" (1:8)  
 PLOT SIZE: ANSI B (11" X 17")

SHEET NO.  
**4.0** 05 of 42  
 JOB NO. 0000-00



GENERAL NOTES:

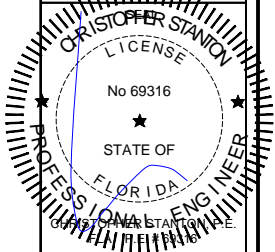
1. ALL ELEVATIONS, AS SHOWN, ARE FOR ILLUSTRATIVE REFERENCES ONLY. PANELS, INTERLOCKS AND MEETING STILE ORIENTATIONS MAY BE CONFIGURED, AS NEEDED, ALLOWABLE A TWO-TRACK, TWO-TRACK WITH SCREEN, THREE-TRACK, FOUR-TRACK & FIVE-TRACK FRAMES.
2. REFER TO SECTION 6.0 FOR APPLICABLE DESIGN PRESSURES WITH, AND WITHOUT, REINFORCEMENT.
3. FOR ANCHORING DESIGN LOAD CHARTS, REQUIREMENTS AND DETAILS, SEE SECTIONS 7.0 AND 8.0.
4. DOOR POCKETS ARE OPTIONAL BUILDING STRUCTURES, BY OTHERS, TO BE REVIEWED BY E.O.R.
5. DOORS SHALL MEET APPLICABLE EGRESS REQUIREMENTS PER THE FLORIDA BUILDING CODE, (FBC).



REVISIONS:	NO.	DATE	DESCRIPTION
	1		
	2		
	3		
	4		

THIS DRAWING SET IS AN INSTRUMENT OF SERVICE AND IS THE PROPERTY OF STANTON ENGINEERING, INC. AND IS NOT TO BE REPRODUCED, IN PART, OR AS A WHOLE, WITHOUT THE EXPRESSED, WRITTEN PERMISSION OF STANTON ENGINEERING, INC.

SHOP DRAWINGS ARE REVIEWED FOR STRUCTURAL DETAILS ONLY!



**STANTON ENGINEERING, INC.**  
STRUCTURAL ENGINEERING SERVICES

2701 NORTHWEST BOCA RATON BOULEVARD, SUITE 204  
BOCA RATON, FLORIDA 33431  
TEL: (561) 395-1003  
FAX: (561) 395-1008

**SERIES SGD 1000**  
SLIDING GLASS DOOR SYSTEM  
PRODUCT APPROVAL FBC (2020): FL# 31650.1

**VELOCITY IMPACT PRODUCTS**  
2200 AVENUE L, WEST PALM BEACH, FLORIDA, 33404  
TEL: (561) 425-5740 NET: www.velocityimpactproducts.com

SUBMIT DATE: 01APR2019

DRAWN BY: KJT

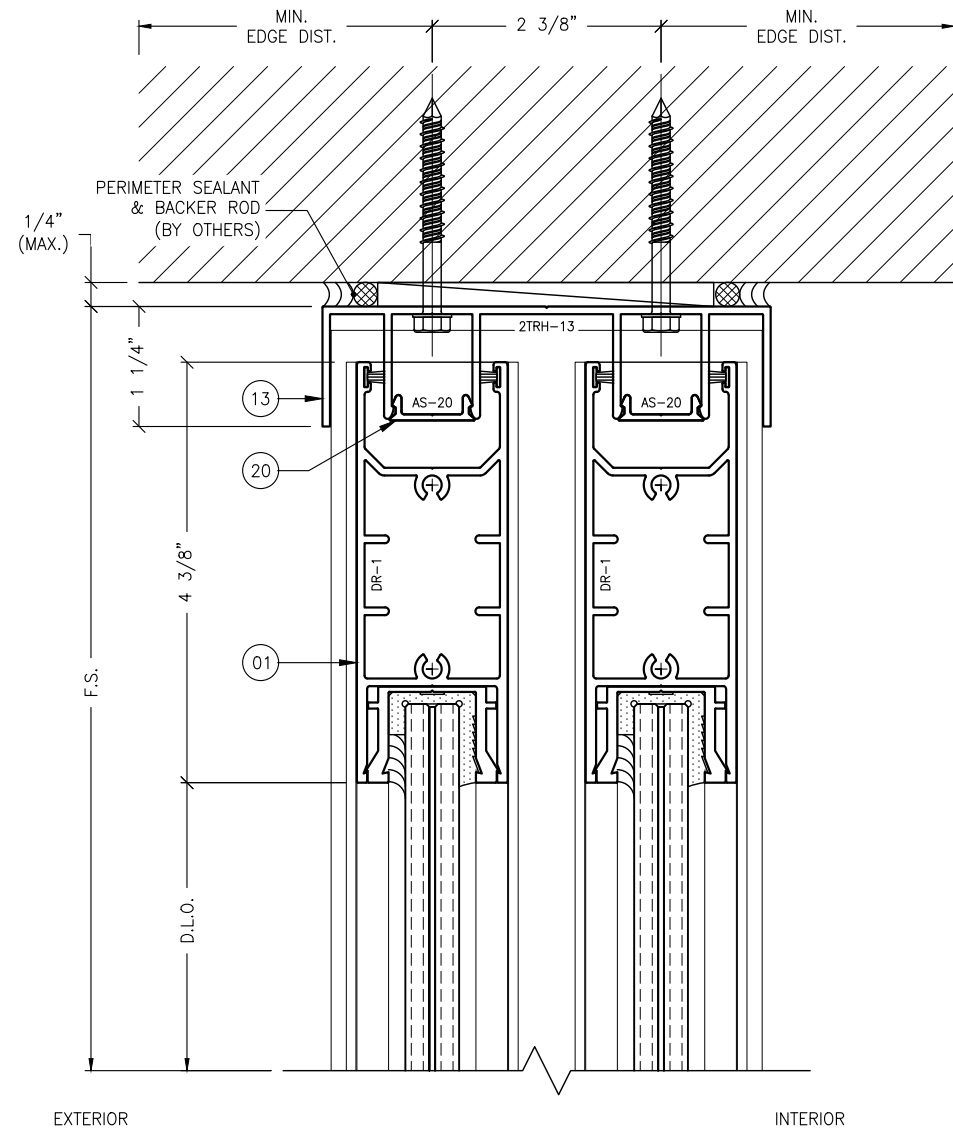
CHECKED BY: CS

DESCRIPTION  
TYPICAL LAYOUTS

SCALE: 1-1/2" = 1'-0" [1:8]

PLOT SIZE: ANSI B (11" X 17")

SHEET NO.  
**4.1** 06 of 42  
JOB NO. 0000-00



1 HEAD DETAIL  
5.0 TYPICAL

**ANCHOR NOTES:**

1. FOR ANCHOR LAYOUT AND LOCATIONS, REFER TO SECTION 3.0.
2. FOR MINIMUM ANCHORAGE REQUIREMENTS, REFER TO SECTION 7.0.
3. USE CHARTS IN SECTIONS 7.0 AND 9.0, IN CONJUNCTION WITH GLAZING DESIGN LOAD CAPACITIES CHARTS IN SECTION 6.0 FOR APPLICABLE VALUES CONTROL.

4. FOR SUBSTRATE ANCHORING CONDITIONS, REFER TO THE FOLLOWING:

AT HEAD: SHEETS 8.0 THRU 8.3;  
AT SILL: SHEETS 8.4 THRU 8.8;  
AT JAMBS: SHEETS 8.9 THRU 8.12.

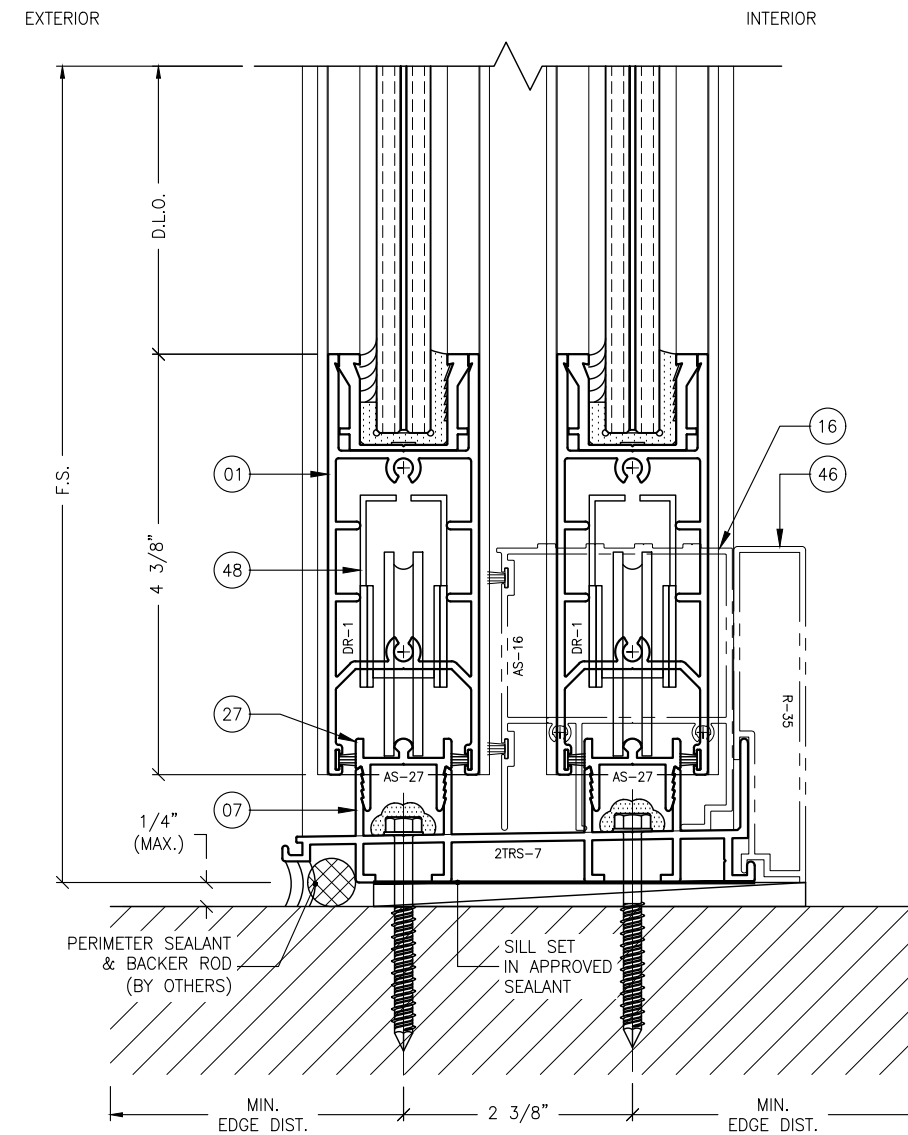
**ACCESSORY NOTES:**

1. THE FOLLOWING PART NO.'S., (ITEM NO.'S.), AS SHOWN FOR REFERENCE ONLY, ARE OPTIONAL COMPONENTS AS APPLICATIONS WILL VARY BASED ON FRAME CONFIGURATIONS; REFER TO SECTIONS 7.0 AND 10.0 FOR MORE INFORMATION:

A. AS-16, (16), THRESHOLD STEP COVER.

B. AS-17, (17), HEAD/SILL BUMPER COVER.

C. ALL SILL RISERS, (42 THRU 47) REQUIRED FOR DESIGN LOADS AT ±60.0 PSF AND GREATER.

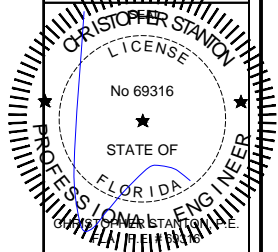


2 SILL DETAIL  
5.0 TYPICAL

REVISIONS:	NO.	DATE	DESCRIPTION
	1		
	2		
	3		
	4		

THIS DRAWING SET IS AN INSTRUMENT OF SERVICE AND IS THE PROPERTY OF STANTON ENGINEERING, INC. AND IS NOT TO BE REPRODUCED, IN PART, OR AS WHOLE, WITHOUT THE EXPRESSED, WRITTEN PERMISSION OF STANTON ENGINEERING, INC.

SHOP DRAWINGS ARE REVIEWED FOR STRUCTURAL DETAILS ONLY!



**STANTON ENGINEERING, INC.**  
STRUCTURAL ENGINEERING SERVICES  
2701 NORTHWEST BOCA RATON BOULEVARD, SUITE 204  
BOCA RATON, FLORIDA 33431  
TEL: (561) 393-1008  
FAX: (561) 393-1003

PROJECT: **SERIES SGD 1000**  
OWNER: **VELOCITY IMPACT PRODUCTS**  
SLIDING GLASS DOOR SYSTEM  
PRODUCT APPROVAL FBC (2020): FL# 31650.1  
2200 AVENUE L, WEST PALM BEACH, FLORIDA, 33404  
TEL: (561) 4285740 NET: www.velocityimpactproducts.com

SUBMIT DATE: 01APR2019

DRAWN BY: KJT

CHECKED BY: CS

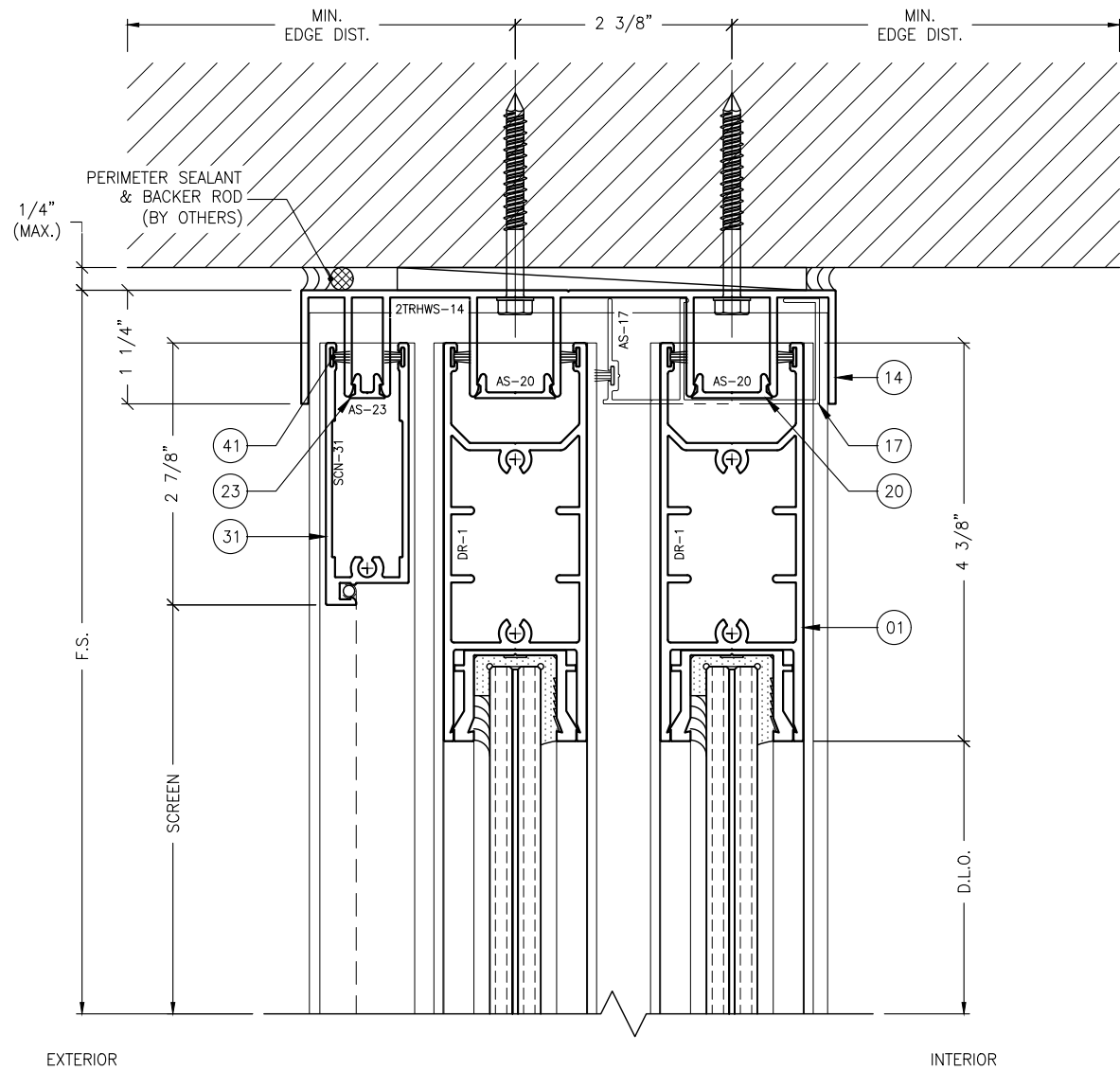
DESCRIPTION  
TYPICAL DETAILS

SCALE: 6" = 1'-0" (1:2)

PLOT SIZE: ANSI B (11" X 17")

SHEET NO.

5.0 07 of 42  
JOB NO. 0000-00



1 HEAD DETAIL  
5.1 TYPICAL W/ SCREEN

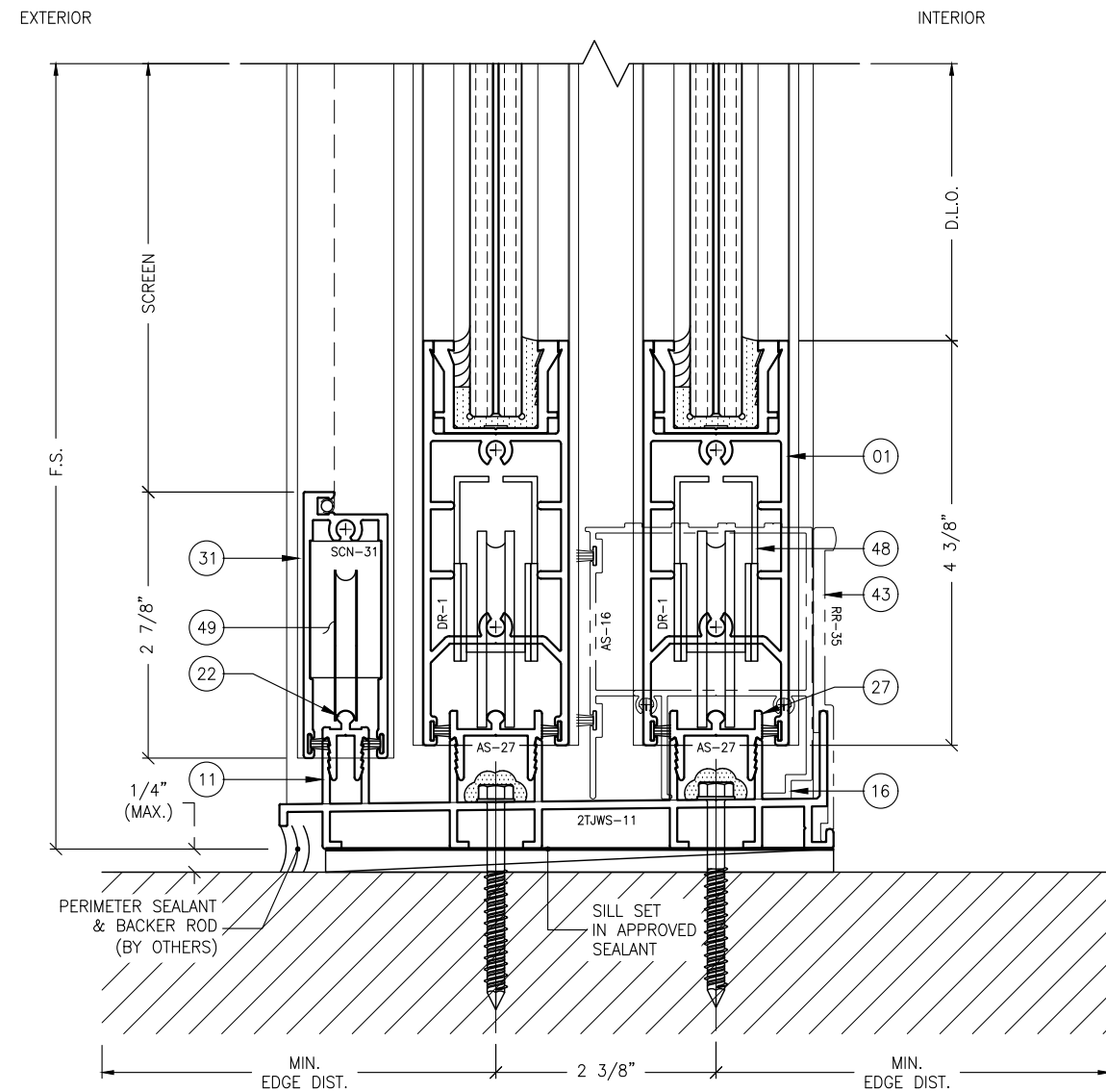
**ANCHOR NOTES:**

1. FOR ANCHOR LAYOUT AND LOCATIONS, REFER TO SECTION 3.0.
2. FOR MINIMUM ANCHORAGE REQUIREMENTS, REFER TO SECTION 7.0.
3. USE CHARTS IN SECTIONS 7.0 AND 9.0, IN CONJUNCTION WITH GLAZING DESIGN LOAD CAPACITIES CHARTS IN SECTION 6.0 FOR APPLICABLE VALUES CONTROL.
4. FOR SUBSTRATE ANCHORING CONDITIONS, REFER TO THE FOLLOWING:

AT HEAD: SHEETS 8.0 THRU 8.3;  
AT SILL: SHEETS 8.4 THRU 8.8;  
AT JAMBS: SHEETS 8.9 THRU 8.12.

**ACCESSORY NOTES:**

1. THE FOLLOWING PART NO.'S., (ITEM NO.'S.), AS SHOWN FOR REFERENCE ONLY, ARE OPTIONAL COMPONENTS AS APPLICATIONS WILL VARY BASED ON FRAME CONFIGURATIONS; REFER TO SECTIONS 7.0 AND 10.0 FOR MORE INFORMATION:
  - A. AS-16, (16), THRESHOLD STEP COVER.
  - B. AS-17, (17), HEAD/SILL BUMPER COVER.
  - C. ALL SILL RISERS, (42 THRU 47) REQUIRED FOR DESIGN LOADS AT ±60.0 PSF AND GREATER.

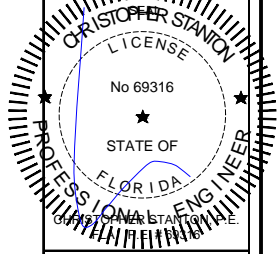


2 SILL DETAIL  
5.1 TYPICAL W/ SCREEN

REVISIONS:	NO.	DATE	DESCRIPTION
	1		
	2		
	3		
	4		

THIS DRAWING SET IS AN INSTRUMENT OF SERVICE AND IS THE PROPERTY OF STANTON ENGINEERING, INC. AND IS NOT TO BE REPRODUCED, IN PART, OR AS A WHOLE, WITHOUT THE EXPRESSED, WRITTEN PERMISSION OF STANTON ENGINEERING, INC.

SHOP DRAWINGS ARE REVIEWED FOR STRUCTURAL ELEMENTS ONLY!

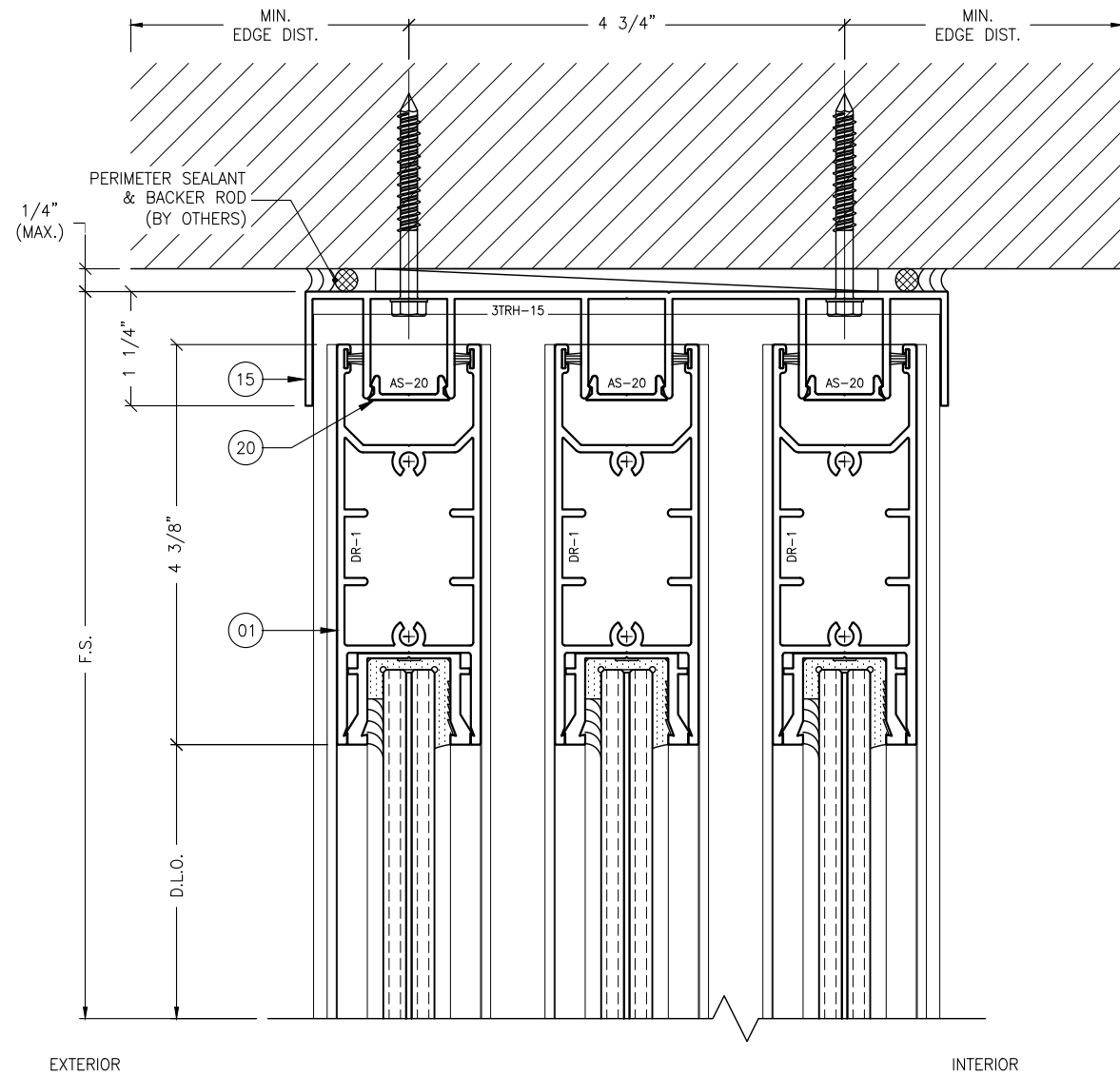


**STANTON ENGINEERING, INC.**  
STRUCTURAL ENGINEERING SERVICES  
2701 NORTHWEST BOCA RATON BOULEVARD, SUITE 204  
BOCA RATON, FLORIDA 33431  
TEL: (561) 393-1008  
FAX: (561) 393-1003

**SERIES SGD 1000**  
SLIDING GLASS DOOR SYSTEM  
PRODUCT APPROVAL FBC (2020): FL# 31650.1  
OWNER:  
**VELOCITY IMPACT PRODUCTS**  
2200 AVENUE L, WEST PALM BEACH, FLORIDA, 33404  
TEL: (561) 4285740 NET: www.velocityimpactproducts.com

SUBMIT DATE: 01APR2019  
DRAWN BY: KJT  
CHECKED BY: CS  
DESCRIPTION  
TYPICAL DETAILS  
SCALE: 6" = 1'-0" (1:2)  
PLOT SIZE: ANSI B (11" X 17")  
SHEET NO.  
**5.1** 08 of 42  
JOB NO. 0000-00





1 HEAD DETAIL  
5.2 TYPICAL

**ANCHOR NOTES:**

1. FOR ANCHOR LAYOUT AND LOCATIONS, REFER TO SECTION 3.0.
2. FOR MINIMUM ANCHORAGE REQUIREMENTS, REFER TO SECTION 7.0.
3. USE CHARTS IN SECTIONS 7.0 AND 9.0, IN CONJUNCTION WITH GLAZING DESIGN LOAD CAPACITIES CHARTS IN SECTION 6.0 FOR APPLICABLE VALUES CONTROL.

4. FOR SUBSTRATE ANCHORING CONDITIONS, REFER TO THE FOLLOWING:

AT HEAD: SHEETS 8.0 THRU 8.3;  
AT SILL: SHEETS 8.4 THRU 8.8;  
AT JAMBS: SHEETS 8.9 THRU 8.12.

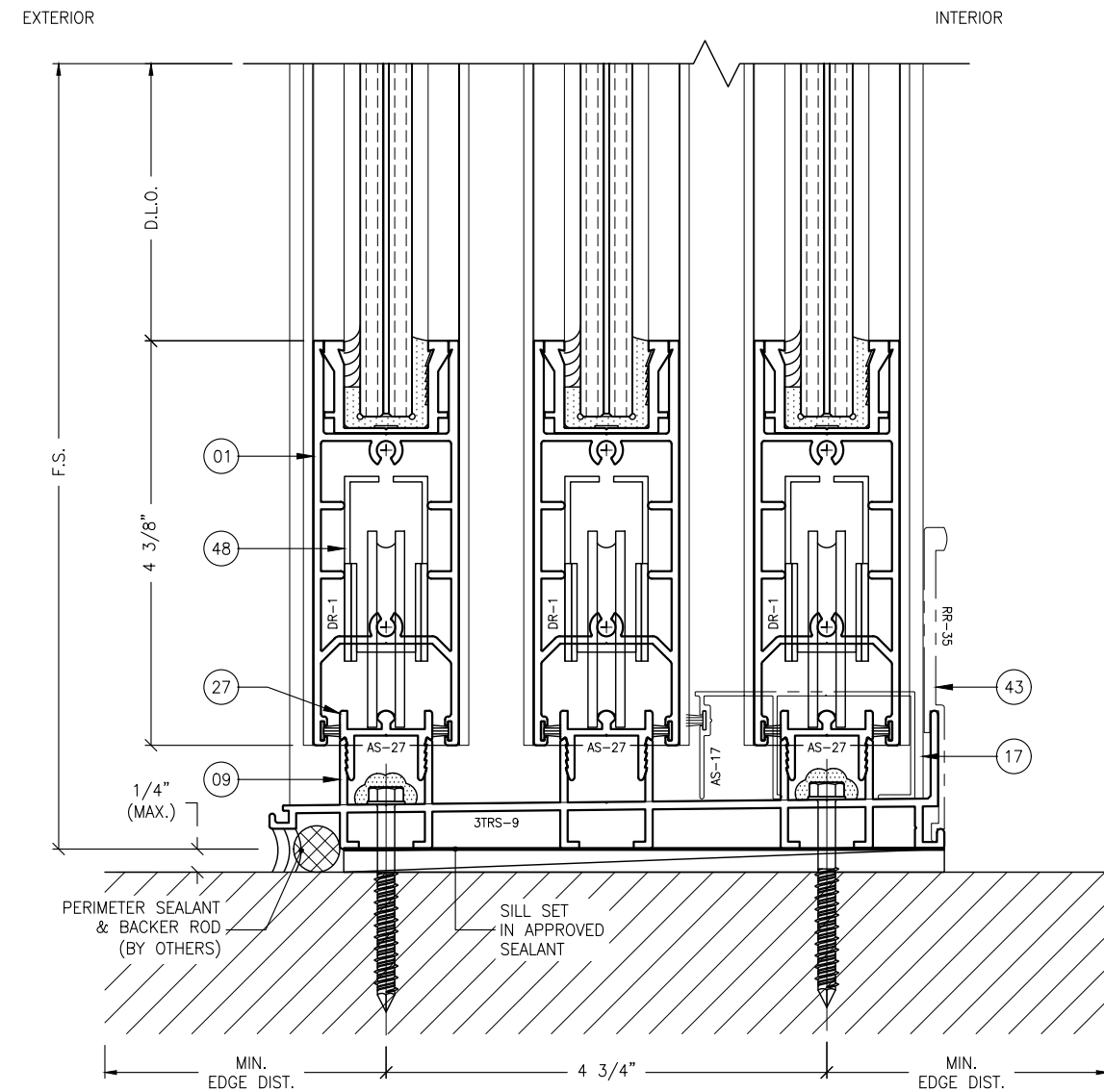
**ACCESSORY NOTES:**

1. THE FOLLOWING PART NO.'S., (ITEM NO.'S.), AS SHOWN FOR REFERENCE ONLY, ARE OPTIONAL COMPONENTS AS APPLICATIONS WILL VARY BASED ON FRAME CONFIGURATIONS; REFER TO SECTIONS 7.0 AND 10.0 FOR MORE INFORMATION:

A. AS-16, (16), THRESHOLD STEP COVER.

B. AS-17, (17), HEAD/SILL BUMPER COVER.

C. ALL SILL RISERS, (42 THRU 47) REQUIRED FOR DESIGN LOADS AT  $\pm 60.0$  PSF AND GREATER.

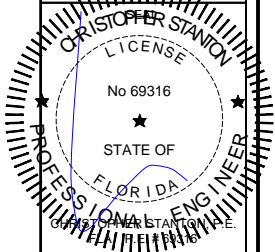


2 SILL DETAIL  
5.2 TYPICAL

REVISIONS:	NO.	DATE	DESCRIPTION
	1		
	2		
	3		
	4		

THIS DRAWING SET IS AN INSTRUMENT OF SERVICE AND IS THE PROPERTY OF STANTON ENGINEERING, INC. AND IS NOT TO BE REPRODUCED, IN PART, OR AS A WHOLE, WITHOUT THE EXPRESSED, WRITTEN PERMISSION OF STANTON ENGINEERING, INC.

SHOP DRAWINGS ARE REVIEWED FOR STRUCTURAL DETAILS ONLY!



**STANTON ENGINEERING, INC.**  
STRUCTURAL ENGINEERING SERVICES

2701 NORTHWEST BOCA RATON BOULEVARD, SUITE 204  
BOCA RATON, FLORIDA 33431  
TEL: (561) 393-1008  
FAX: (561) 393-1003

**SERIES SGD 1000**  
SLIDING GLASS DOOR SYSTEM  
PRODUCT APPROVAL FBC (2020): FL# 31650.1

**VELOCITY IMPACT PRODUCTS**  
2200 AVENUE L, WEST PALM BEACH, FLORIDA, 33404  
TEL: (561) 428-5740 NET: www.velocityimpactproducts.com

SUBMIT DATE: 01APR2019

DRAWN BY: KJT

CHECKED BY: CS

DESCRIPTION  
TYPICAL DETAILS

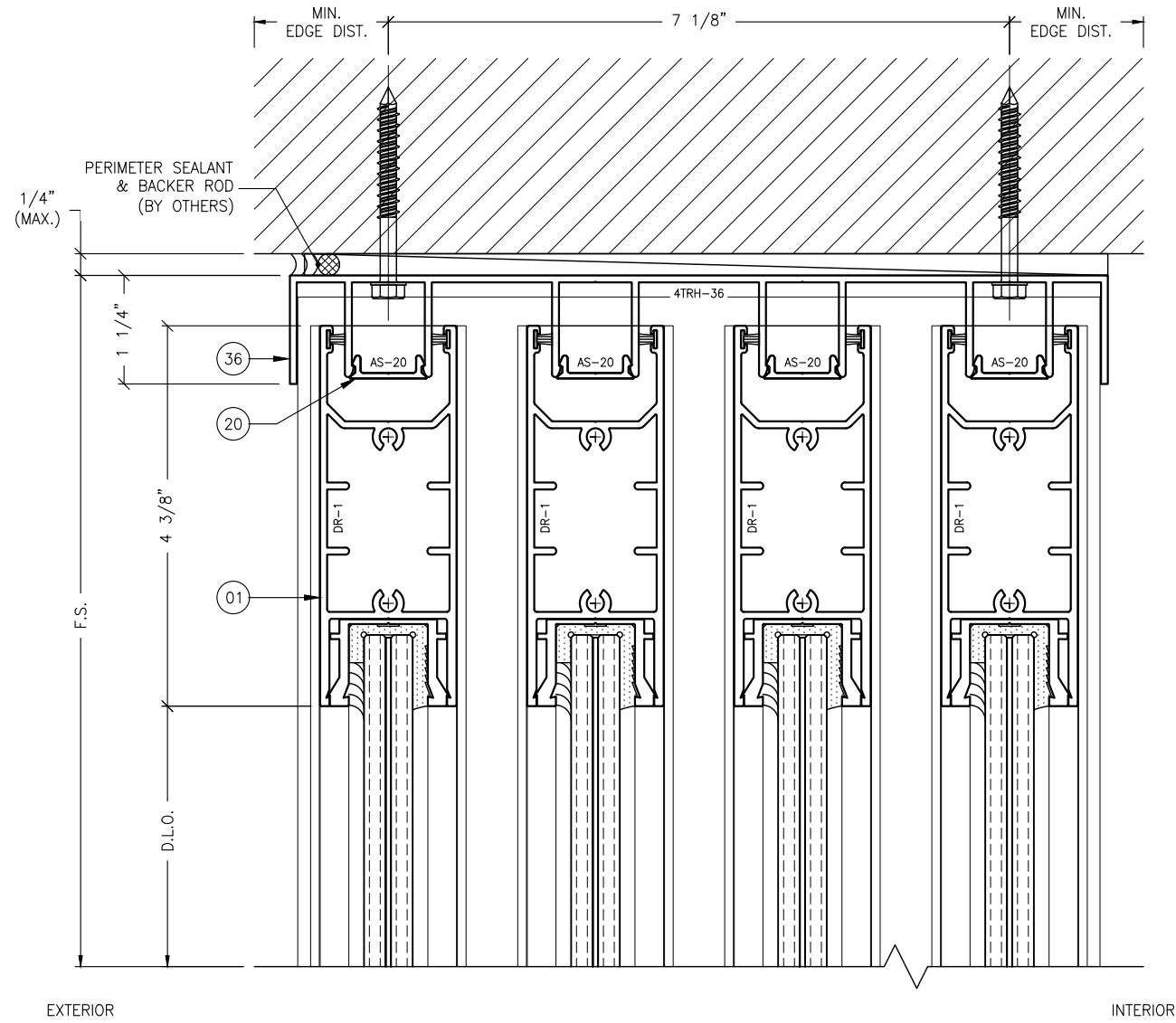
SCALE: 6" = 1'-0" (1:2)

PLOT SIZE: ANSI B (11" X 17")

SHEET NO.

5.2 09 of 42

JOB NO. 0000-00



EXTERIOR INTERIOR

1 HEAD DETAIL  
5.3 TYPICAL

**ANCHOR NOTES:**

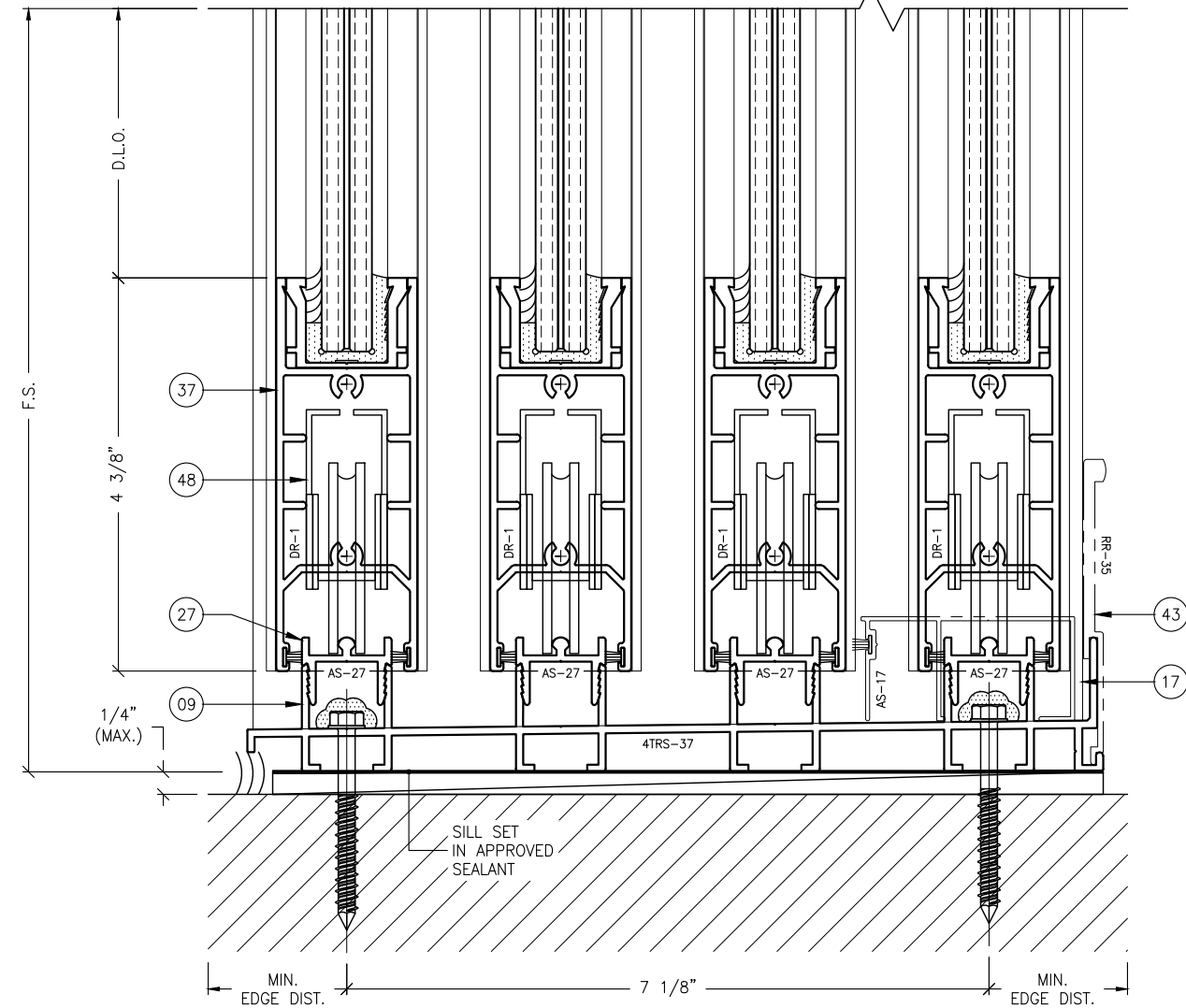
1. FOR ANCHOR LAYOUT AND LOCATIONS, REFER TO SECTION 3.0.
2. FOR MINIMUM ANCHORAGE REQUIREMENTS, REFER TO SECTION 7.0.
3. USE CHARTS IN SECTIONS 7.0 AND 9.0, IN CONJUNCTION WITH GLAZING DESIGN LOAD CAPACITIES CHARTS IN SECTION 6.0 FOR APPLICABLE VALUES CONTROL.
4. FOR SUBSTRATE ANCHORING CONDITIONS, REFER TO THE FOLLOWING:

AT HEAD: SHEETS 8.0 THRU 8.3;  
AT SILL: SHEETS 8.4 THRU 8.8;  
AT JAMBS: SHEETS 8.9 THRU 8.12.

**ACCESSORY NOTES:**

1. THE FOLLOWING PART NO.'S., (ITEM NO.'S.), AS SHOWN FOR REFERENCE ONLY, ARE OPTIONAL COMPONENTS AS APPLICATIONS WILL VARY BASED ON FRAME CONFIGURATIONS; REFER TO SECTIONS 7.0 AND 10.0 FOR MORE INFORMATION:
  - A. AS-16, (16), THRESHOLD STEP COVER.
  - B. AS-17, (17), HEAD/SILL BUMPER COVER.
  - C. ALL SILL RISERS, (42 THRU 47) REQUIRED FOR DESIGN LOADS AT ±60.0 PSF AND GREATER.

EXTERIOR INTERIOR

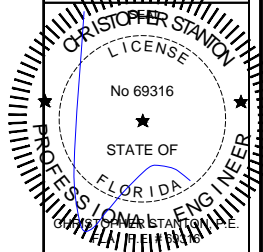


2 SILL DETAIL  
5.3 TYPICAL

REVISIONS:	NO.	DATE	DESCRIPTION
	1		
	2		
	3		
	4		

THIS DRAWING SET IS AN INSTRUMENT OF SERVICE AND IS THE PROPERTY OF STANTON ENGINEERING, INC. AND IS NOT TO BE REPRODUCED, IN PART, OR AS A WHOLE, WITHOUT THE EXPRESSED, WRITTEN PERMISSION OF STANTON ENGINEERING, INC.

SHOP DRAWINGS ARE REVIEWED FOR STRUCTURAL ELEMENTS ONLY!



**STANTON ENGINEERING, INC.**  
STRUCTURAL ENGINEERING SERVICES  
2701 NORTHWEST BOCA RATON BOULEVARD, SUITE 204  
BOCA RATON, FLORIDA 33431  
TEL: (561) 393-1008  
FAX: (561) 393-1003

PROJECT: OWNER:  
**SERIES SGD 1000**  
SLIDING GLASS DOOR SYSTEM  
PRODUCT APPROVAL FBC (2020): FL# 31650.1  
**VELOCITY IMPACT PRODUCTS**  
2200 AVENUE L, WEST PALM BEACH, FLORIDA, 33404  
TEL: (561) 425-5740 NET: www.velocityimpactproducts.com

SUBMIT DATE: 01APR2019

DRAWN BY: KJT

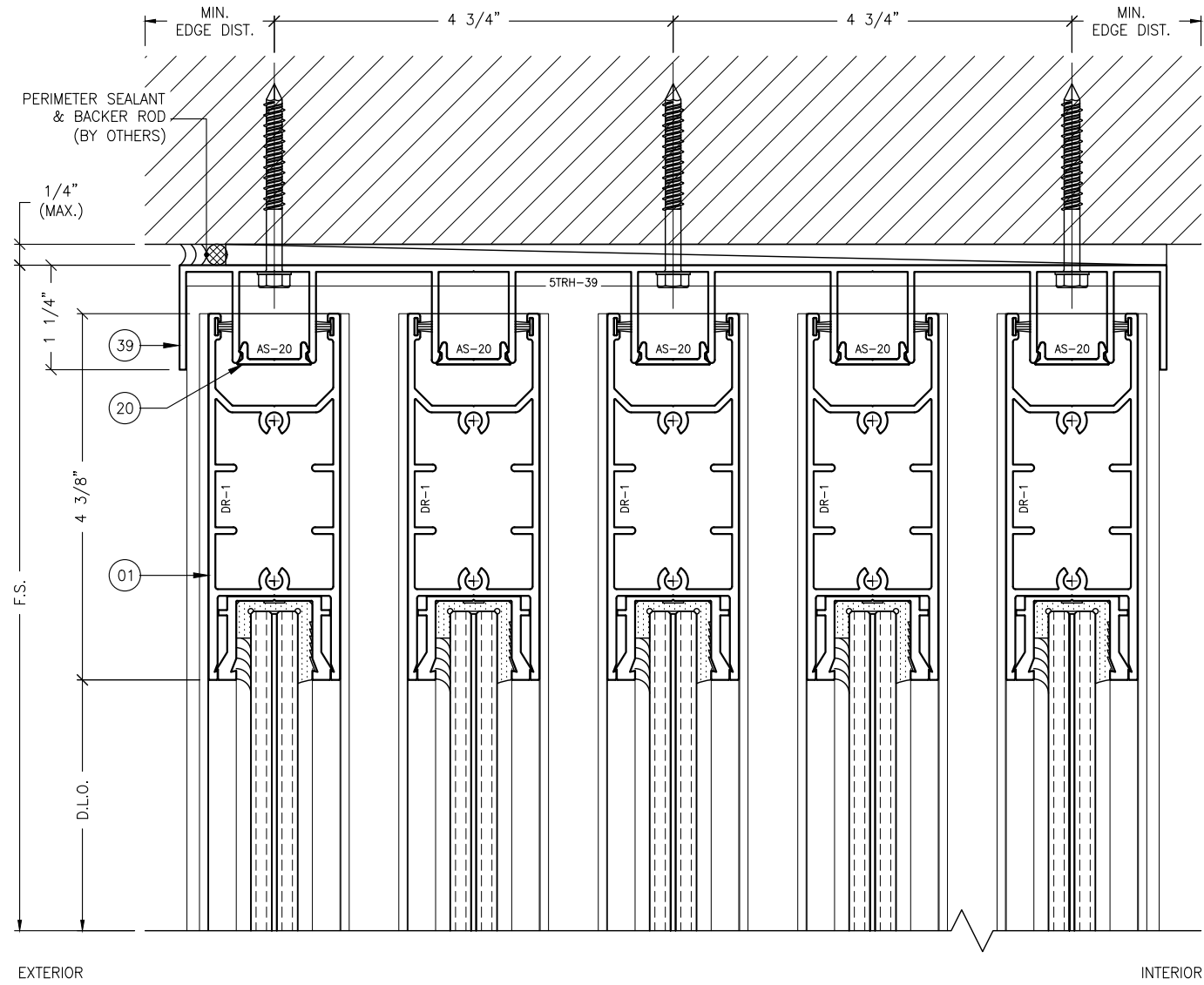
CHECKED BY: CS

DESCRIPTION  
TYPICAL DETAILS

SCALE: 6" = 1'-0" [1:2]

PLOT SIZE: ANSI B (11" X 17")

SHEET NO.  
**5.3** 10 of 42  
JOB NO. 0000-00



1 HEAD DETAIL  
5.4 TYPICAL

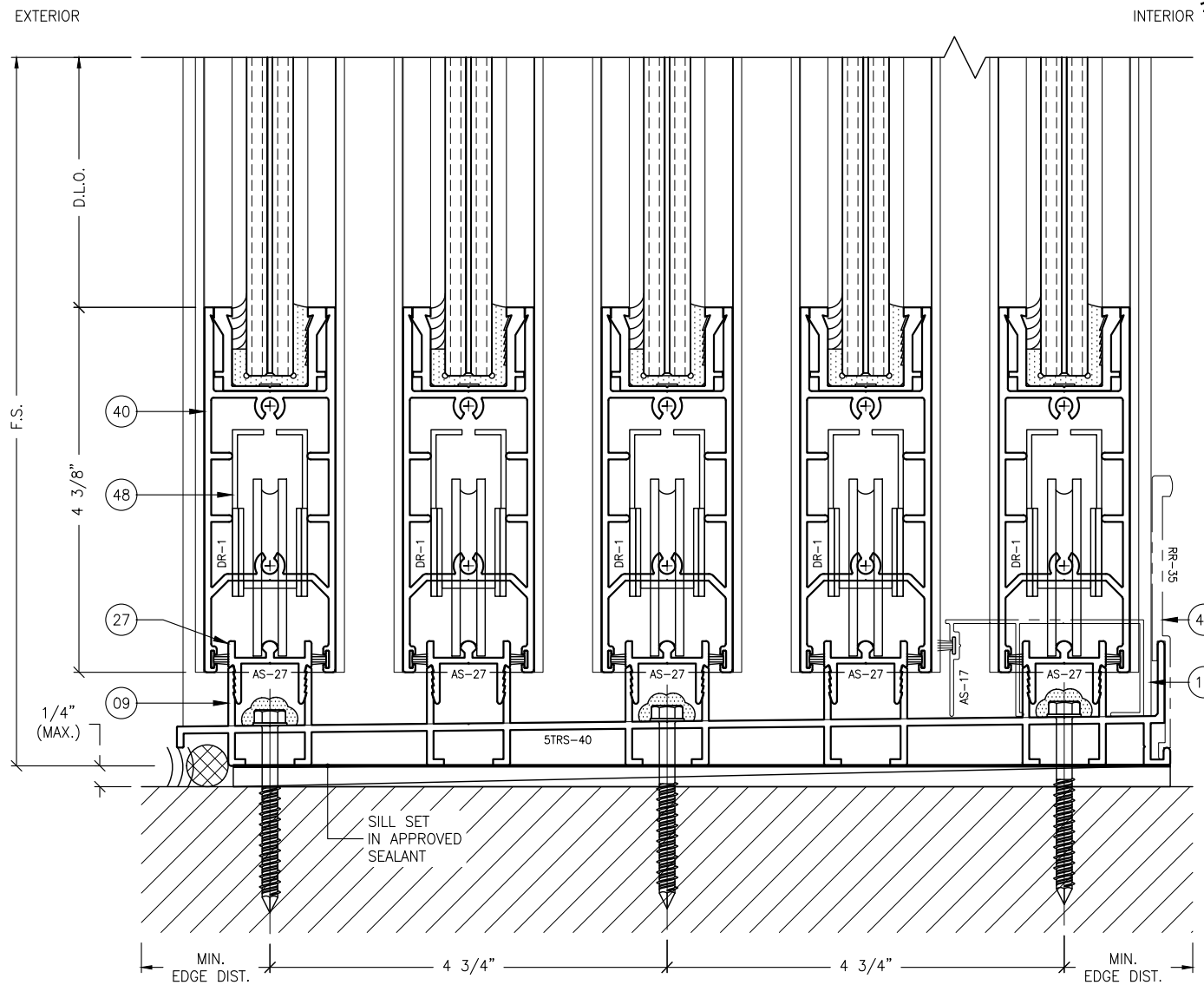
**ANCHOR NOTES:**

1. FOR ANCHOR LAYOUT AND LOCATIONS, REFER TO SECTION 3.0.
2. FOR MINIMUM ANCHORAGE REQUIREMENTS, REFER TO SECTION 7.0.
3. USE CHARTS IN SECTIONS 7.0 AND 9.0, IN CONJUNCTION WITH GLAZING DESIGN LOAD CAPACITIES CHARTS IN SECTION 6.0 FOR APPLICABLE VALUES CONTROL.
4. FOR SUBSTRATE ANCHORING CONDITIONS, REFER TO THE FOLLOWING:

AT HEAD: SHEETS 8.0 THRU 8.3;  
AT SILL: SHEETS 8.4 THRU 8.8;  
AT JAMBS: SHEETS 8.9 THRU 8.12.

**ACCESSORY NOTES:**

1. THE FOLLOWING PART NO.'S., (ITEM NO.'S.), AS SHOWN FOR REFERENCE ONLY, ARE OPTIONAL COMPONENTS AS APPLICATIONS WILL VARY BASED ON FRAME CONFIGURATIONS; REFER TO SECTIONS 7.0 AND 10.0 FOR MORE INFORMATION:
  - A. AS-16, (16), THRESHOLD STEP COVER.
  - B. AS-17, (17), HEAD/SILL BUMPER COVER.
  - C. ALL SILL RISERS, (42 THRU 47) REQUIRED FOR DESIGN LOADS AT ±60.0 PSF AND GREATER.

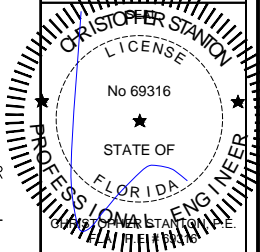


2 SILL DETAIL  
5.4 TYPICAL

REVISIONS:	NO.	DATE	DESCRIPTION
	1		
	2		
	3		
	4		

THIS DRAWING SET IS AN INSTRUMENT OF SERVICE AND IS THE PROPERTY OF STANTON ENGINEERING, INC. AND IS NOT TO BE REPRODUCED, IN PART, OR AS A WHOLE, WITHOUT THE EXPRESSED, WRITTEN PERMISSION OF STANTON ENGINEERING, INC.

SHOP DRAWINGS ARE REVIEWED FOR STRUCTURAL DETAILS ONLY!



**STANTON ENGINEERING, INC.**  
STRUCTURAL ENGINEERING SERVICES  
2701 NORTHWEST BOCA RATON BOULEVARD, SUITE 204  
BOCA RATON, FLORIDA 33431  
TEL: (561) 393-1008  
FAX: (561) 393-1003

PROJECT: OWNER:  
**SERIES SGD 1000** SLIDING GLASS DOOR SYSTEM  
PRODUCT APPROVAL FBC (2020): FL# 31650.1  
VELOCITY IMPACT PRODUCTS  
2200 AVENUE L, WEST PALM BEACH, FLORIDA, 33404  
TEL: (561) 428-5740 NET: www.velocityimpactproducts.com

SUBMIT DATE: 01APR2019

DRAWN BY: KJT

CHECKED BY: CS

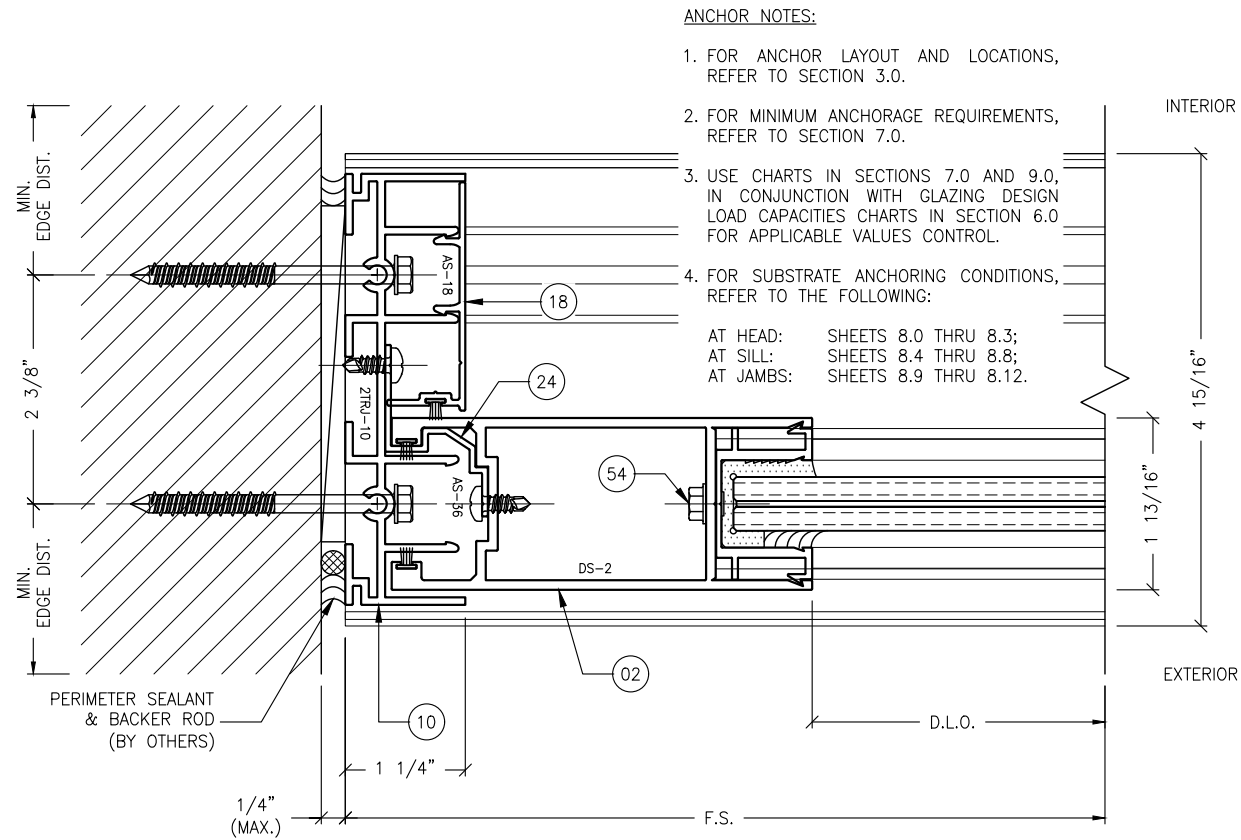
DESCRIPTION  
TYPICAL DETAILS

SCALE: 6" = 1'-0" (1:2)

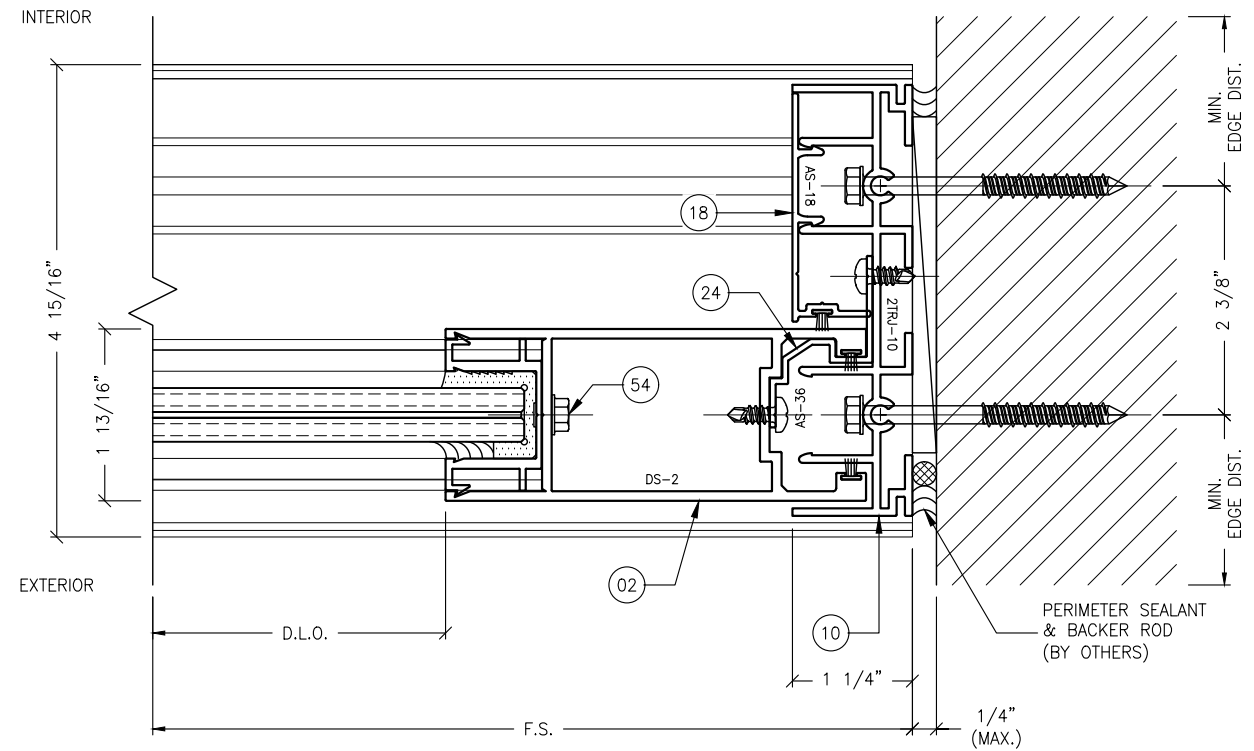
PLOT SIZE: ANSI B (11" X 17")

SHEET NO.

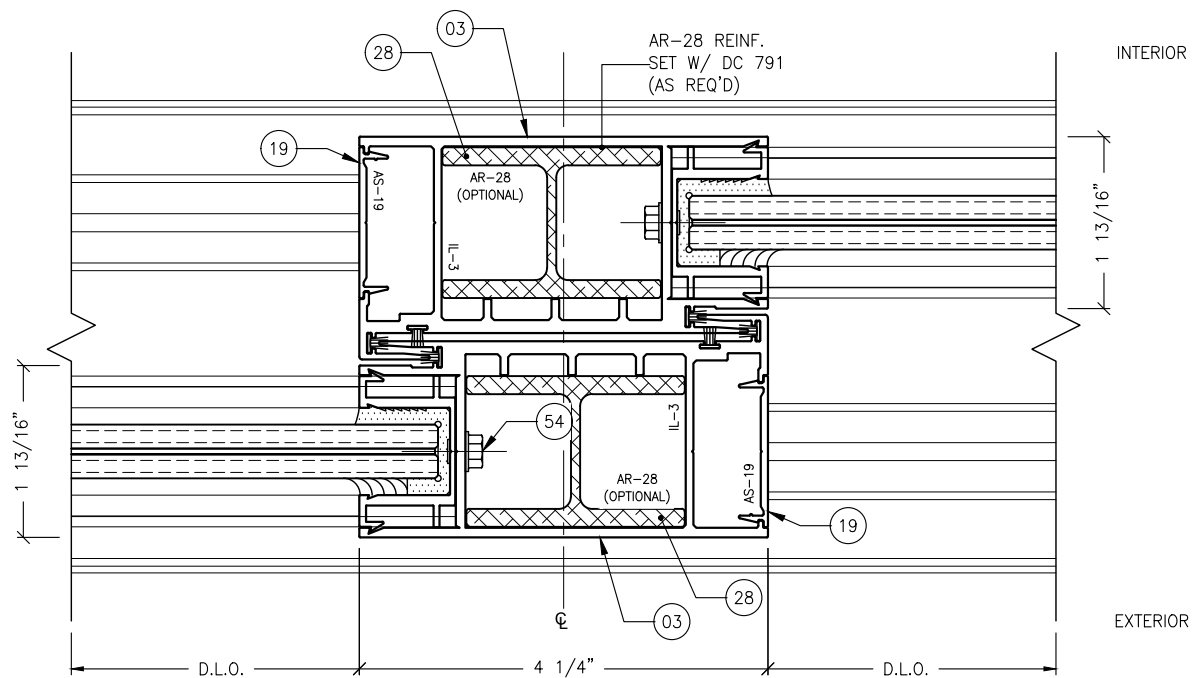
**5.4** 11 of 42  
JOB NO. 0000-00



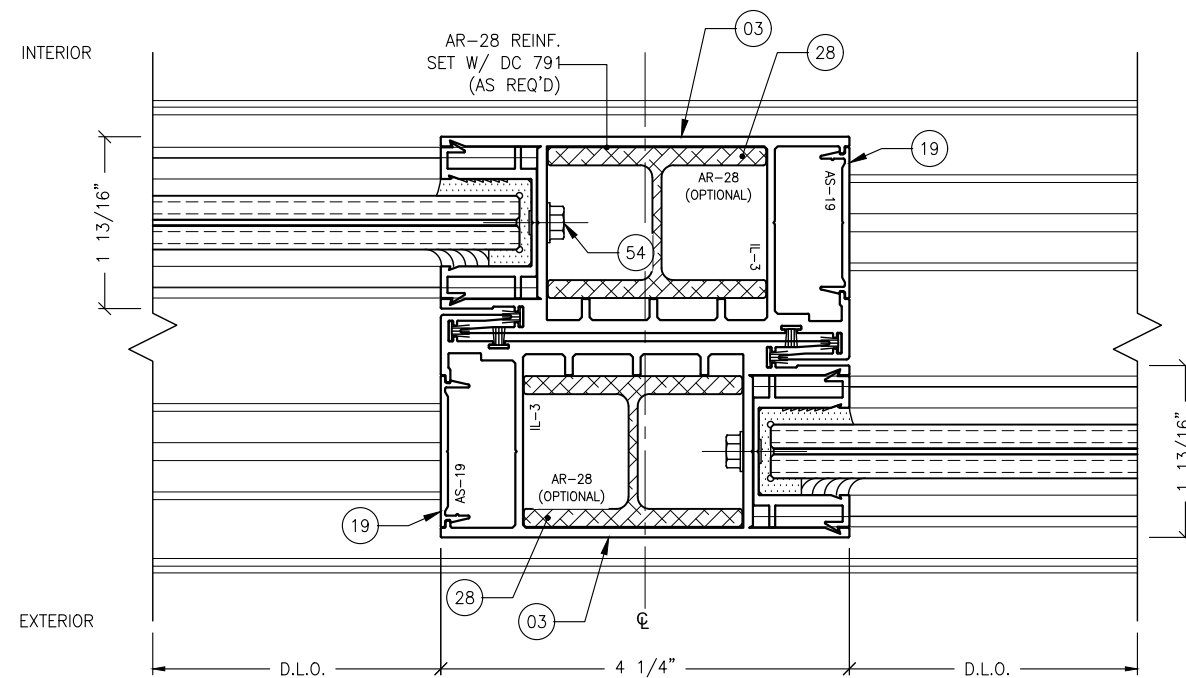
1 JAMB DETAIL  
5.5 TYPICAL



4 JAMB DETAIL  
5.5 TYPICAL



2 INTERLOCK DETAIL  
5.5 TYPICAL

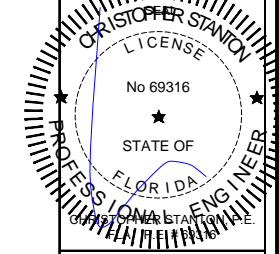


3 INTERLOCK DETAIL  
5.5 TYPICAL

REVISIONS:	NO.	DATE	DESCRIPTION
	1		
	2		
	3		
	4		

THIS DRAWING SET IS AN INSTRUMENT OF SERVICE AND IS THE PROPERTY OF STANTON ENGINEERING, INC. AND IS NOT TO BE REPRODUCED, IN PART, OR AS A WHOLE, WITHOUT THE EXPRESSED, WRITTEN PERMISSION OF STANTON ENGINEERING, INC.

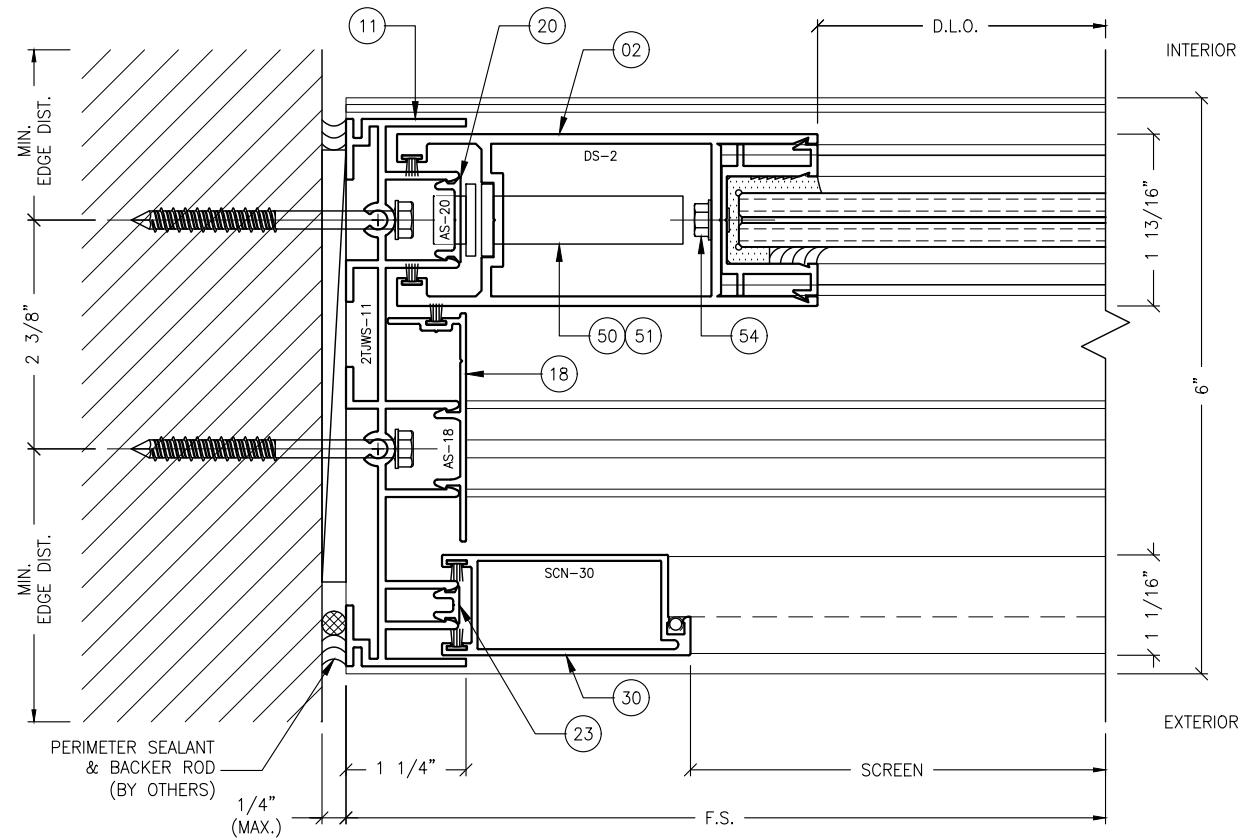
SHOP DRAWINGS ARE REVIEWED FOR STRUCTURAL DETAILS ONLY!



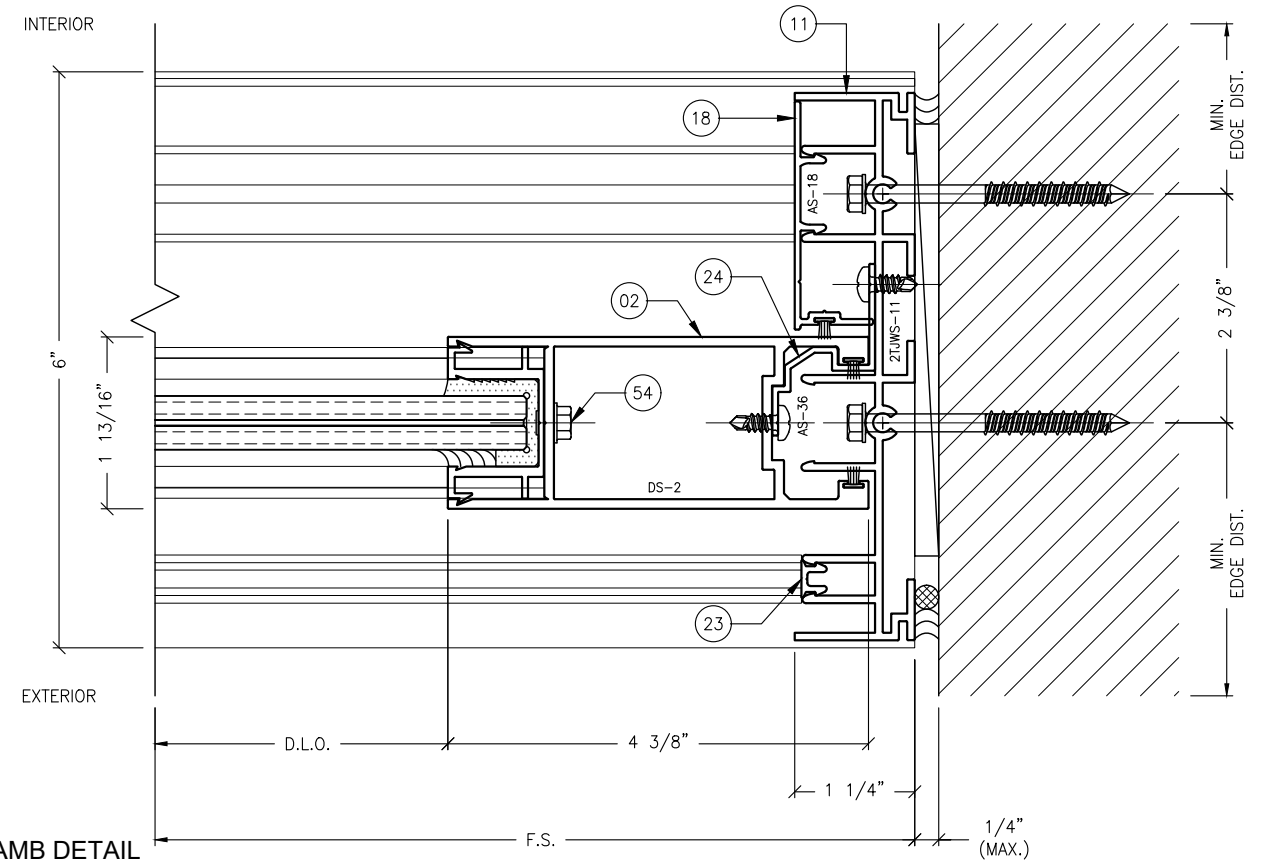
**STANTON ENGINEERING, INC.**  
**STRUCTURAL ENGINEERING SERVICES**  
 2701 NORTHWEST BOCA RATON BOULEVARD, SUITE 204  
 BOCA RATON, FLORIDA 33431  
 TEL: (561) 393-1008  
 FAX: (561) 393-1003

PROJECT: **SERIES SGD 1000**  
 OWNER: **VELOCITY IMPACT PRODUCTS**  
 SLIDING GLASS DOOR SYSTEM  
 PRODUCT APPROVAL FBC (2020): FL# 31650.1  
 2200 AVENUE L, WEST PALM BEACH, FLORIDA, 33404  
 TEL: (561) 4255740 NET: www.velocityimpactproducts.com

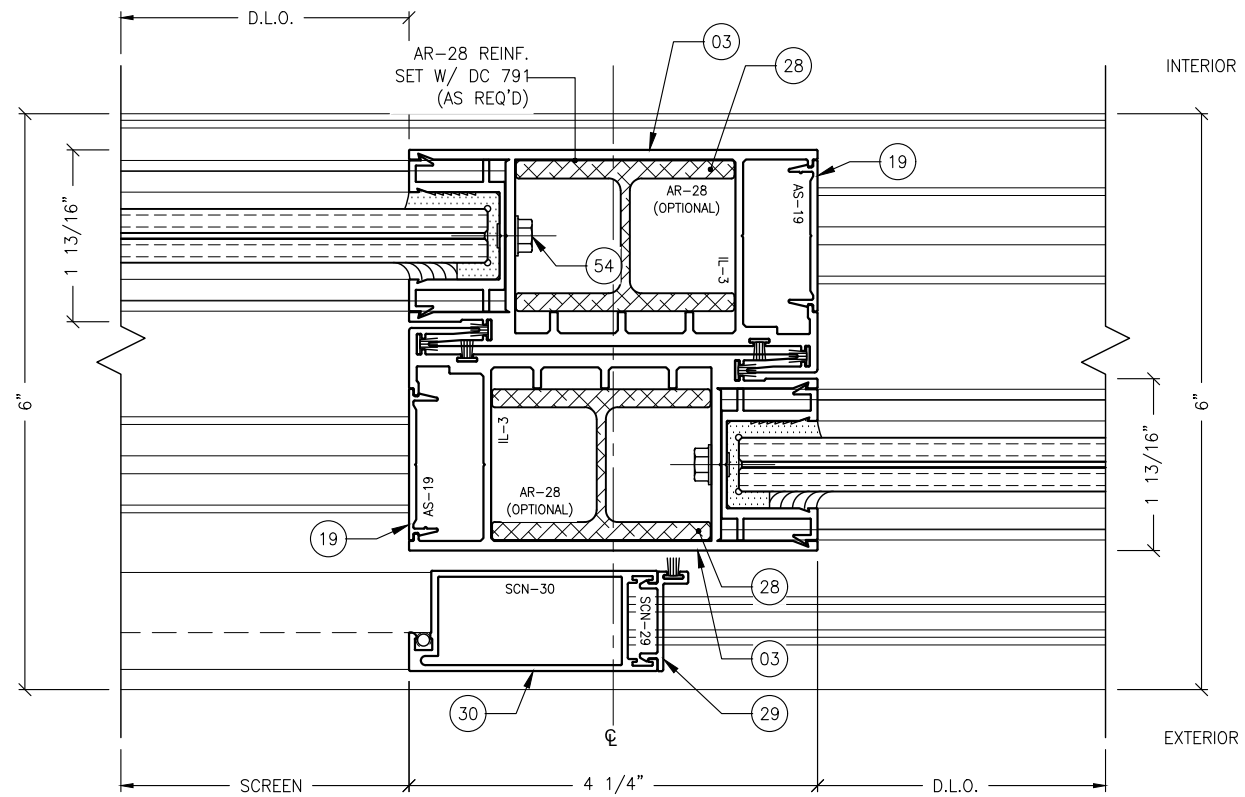
SUBMIT DATE:	01APR2019
DRAWN BY:	KJT
CHECKED BY:	CS
DESCRIPTION	TYPICAL DETAILS
SCALE:	6" = 1'-0" [1:2]
PLOT SIZE:	ANSI B (11" X 17")
SHEET NO.	5.5
	12 of 42
	JOB NO. 0000-00



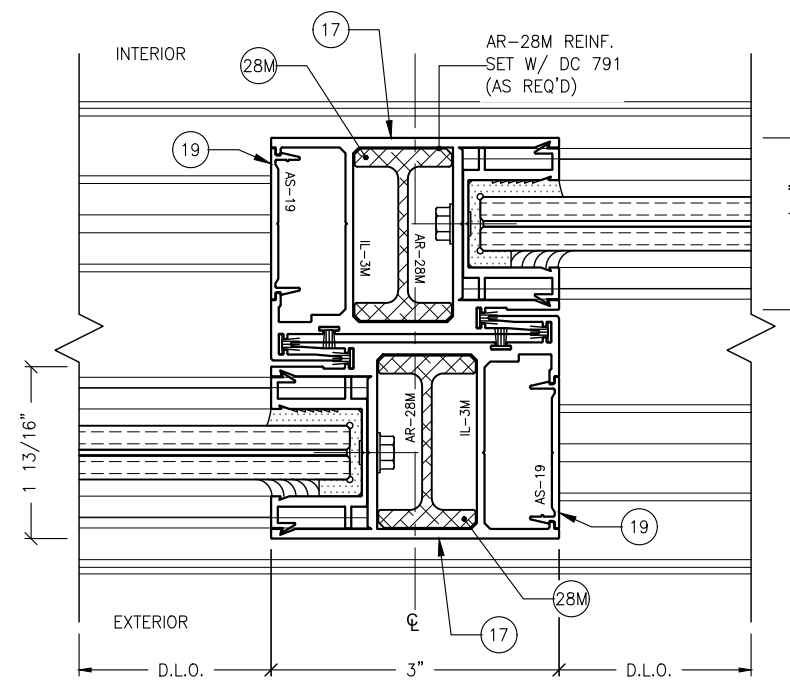
1 JAMB DETAIL  
5.6 TYPICAL, W/ SCREEN



3 JAMB DETAIL  
5.6 TYPICAL, W/ SCREEN



2 INTERLOCK DETAIL  
5.6 TYPICAL, W/ SCREEN



4 INTERLOCK DETAIL  
5.6 ALTERNATE

**ANCHOR NOTES:**

1. FOR ANCHOR LAYOUT AND LOCATIONS, REFER TO SECTION 3.0.
2. FOR MINIMUM ANCHORAGE REQUIREMENTS, REFER TO SECTION 7.0.
3. USE CHARTS IN SECTIONS 7.0 AND 9.0, IN CONJUNCTION WITH GLAZING DESIGN LOAD CAPACITIES CHARTS IN SECTION 6.0 FOR APPLICABLE VALUES CONTROL.
4. FOR SUBSTRATE ANCHORING CONDITIONS, REFER TO THE FOLLOWING:

AT HEAD: SHEETS 8.0 THRU 8.3;  
AT SILL: SHEETS 8.4 THRU 8.8;  
AT JAMBS: SHEETS 8.9 THRU 8.12.

**PANEL DESIGN PRESSURE NOTES:**  
(FOR NARROW INTERLOCK STILES ONLY.)

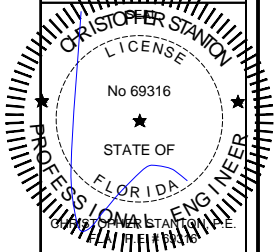
**MAXIMUM PANEL SIZE:**

60" X 120" -70.0 PSF/+70.0 PSF

REVISIONS:	NO.	DATE	DESCRIPTION
	1		
	2		
	3		
	4		
	5		

THIS DRAWING SET IS AN INSTRUMENT OF SERVICE AND IS THE PROPERTY OF STANTON ENGINEERING, INC. AND IS NOT TO BE REPRODUCED, IN PART, OR AS A WHOLE, WITHOUT THE EXPRESSED, WRITTEN PERMISSION OF STANTON ENGINEERING, INC.

SHOP DRAWINGS ARE REVIEWED FOR STRUCTURAL DETAILS ONLY!



**STANTON ENGINEERING, INC.**  
STRUCTURAL ENGINEERING SERVICES

2701 NORTHWEST BOCA RATON BOULEVARD, SUITE 204  
BOCA RATON, FLORIDA 33431  
TEL: (561) 393-1008  
FAX: (561) 393-1003

**SERIES SGD 1000**  
SLIDING GLASS DOOR SYSTEM  
PRODUCT APPROVAL FBC (2020): FL# 31650.1

**VELOCITY IMPACT PRODUCTS**  
2200 AVENUE L, WEST PALM BEACH, FLORIDA, 33404  
TEL: (561) 425-5740 NET: www.velocityimpactproducts.com

SUBMIT DATE: 01APR2019

DRAWN BY: KJT

CHECKED BY: CS

DESCRIPTION  
TYPICAL DETAILS

SCALE: 6" = 1'-0" [1:2]

PLOT SIZE: ANSI B (11" X 17")

SHEET NO.

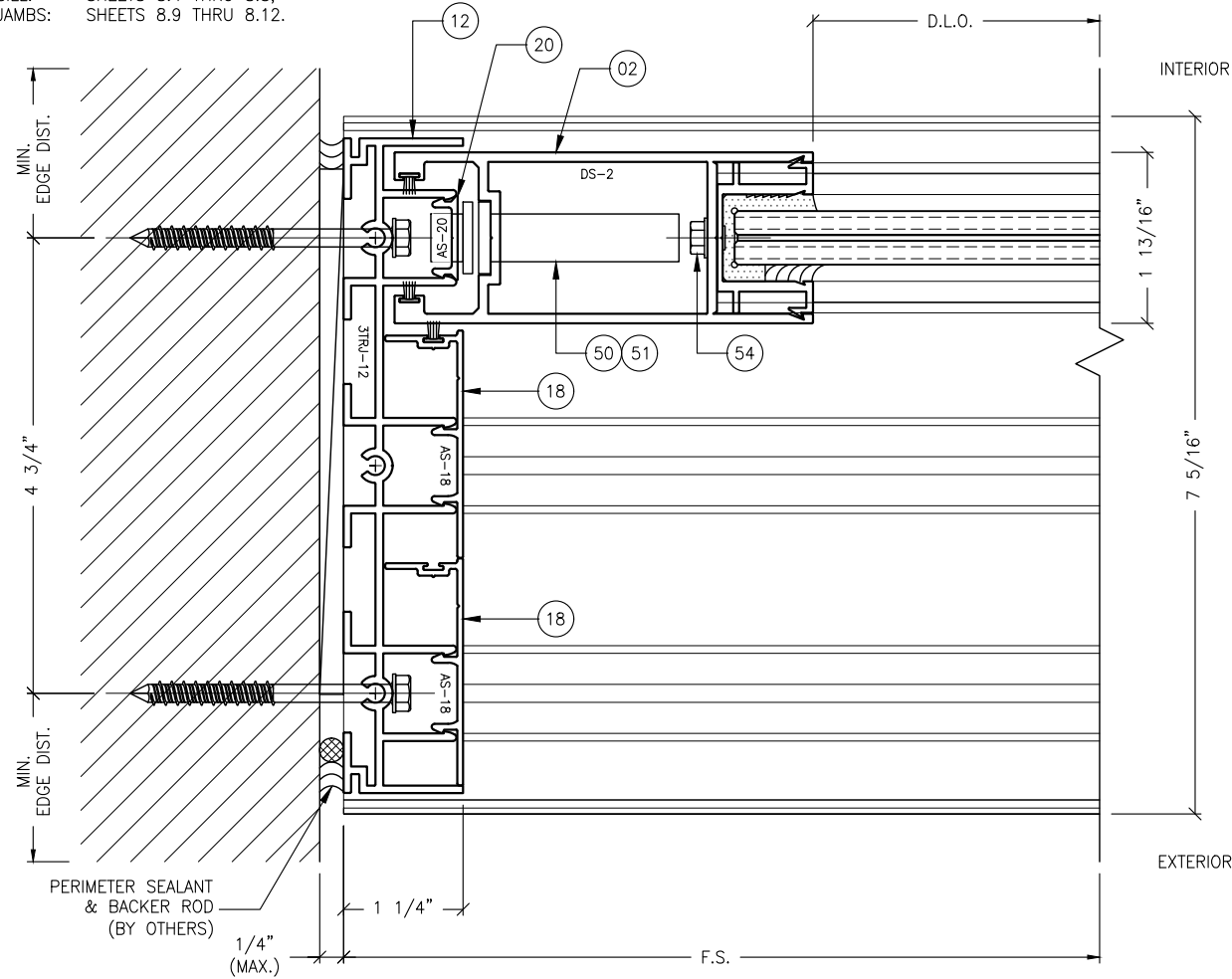
**5.6** 13 of 42

JOB NO. 0000-00

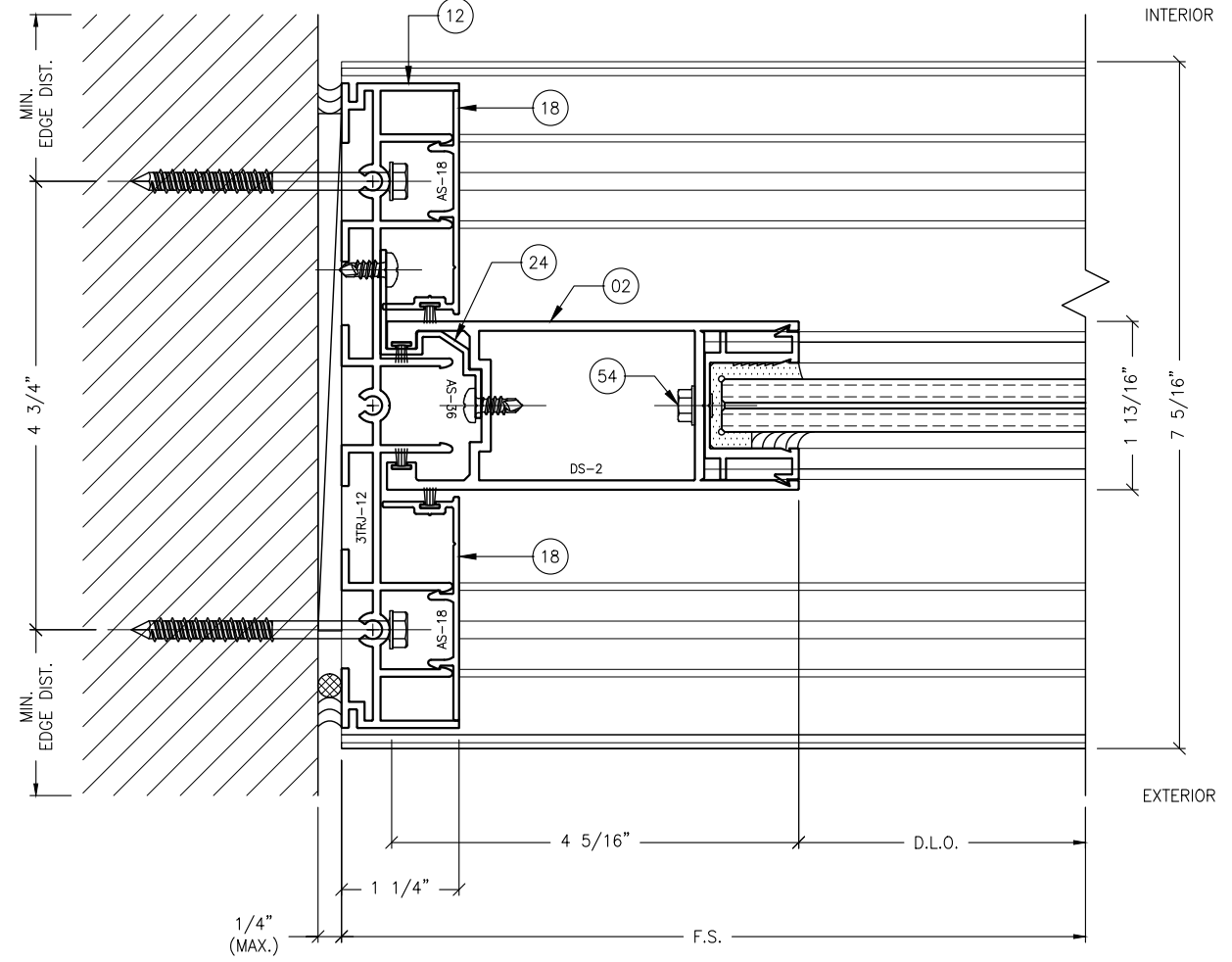
**ANCHOR NOTES:**

1. FOR ANCHOR LAYOUT AND LOCATIONS, REFER TO SECTION 3.0.
2. FOR MINIMUM ANCHORAGE REQUIREMENTS, REFER TO SECTION 7.0.
3. USE CHARTS IN SECTIONS 7.0 AND 9.0, IN CONJUNCTION WITH GLAZING DESIGN LOAD CAPACITIES CHARTS IN SECTION 6.0 FOR APPLICABLE VALUES CONTROL.
4. FOR SUBSTRATE ANCHORING CONDITIONS, REFER TO THE FOLLOWING:

AT HEAD: SHEETS 8.0 THRU 8.3;  
 AT SILL: SHEETS 8.4 THRU 8.8;  
 AT JAMBS: SHEETS 8.9 THRU 8.12.



**1** JAMB DETAIL  
 5.7 TYPICAL

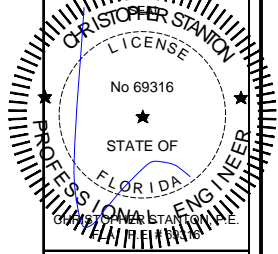


**2** JAMB DETAIL  
 5.7 TYPICAL

REVISIONS:	NO.	DATE	DESCRIPTION
	1		
	2		
	3		
	4		

THIS DRAWING SET IS AN INSTRUMENT OF SERVICE AND IS THE PROPERTY OF STANTON ENGINEERING, INC. AND IS NOT TO BE REPRODUCED, IN PART, OR AS A WHOLE, WITHOUT THE EXPRESSED, WRITTEN PERMISSION OF STANTON ENGINEERING, INC.

SHOP DRAWINGS ARE REVIEWED FOR STRUCTURAL REQUIREMENTS ONLY!



**STANTON ENGINEERING, INC.**  
 STRUCTURAL ENGINEERING SERVICES  
 2701 NORTHWEST BOCA RATON BOULEVARD, SUITE 204  
 BOCA RATON, FLORIDA 33431  
 TEL: (561) 393-1008  
 FAX: (561) 393-1003

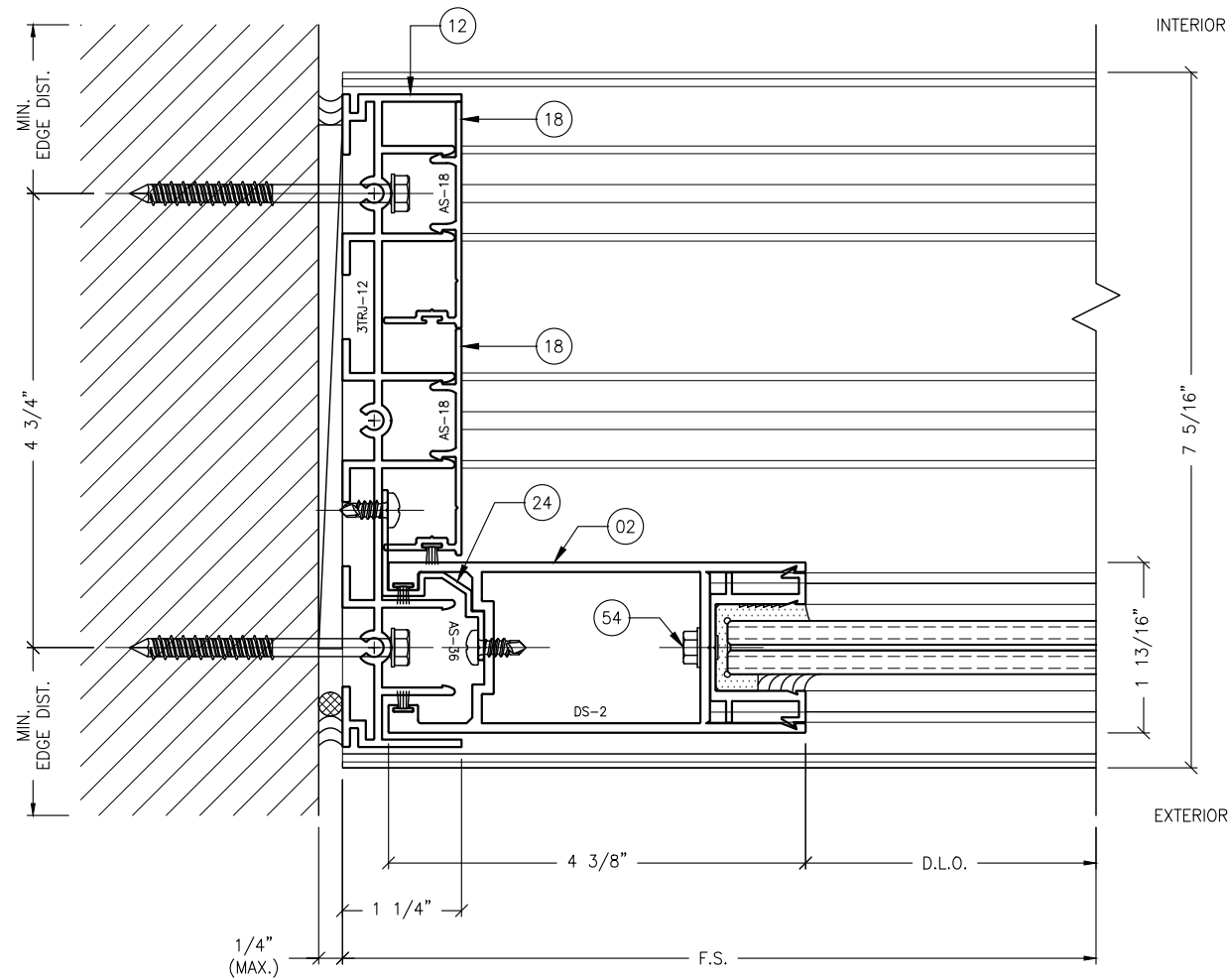
**PROJECT:** SERIES SGD 1000  
**OWNER:** VELOCITY IMPACT PRODUCTS  
 SLIDING GLASS DOOR SYSTEM  
 PRODUCT APPROVAL FBC (2020): FL# 31650.1  
 2200 AVENUE L, WEST PALM BEACH, FLORIDA, 33404  
 TEL: (561) 425-5740 NET: www.velocityimpactproducts.com

SUBMIT DATE:	01APR2019
DRAWN BY:	KJT
CHECKED BY:	CS
DESCRIPTION	TYPICAL DETAILS
SCALE:	6" = 1'-0" [1:2]
PLOT SIZE:	ANSI B (11" X 17")
SHEET NO.	5.7
	14 of 42
JOB NO.	0000-00

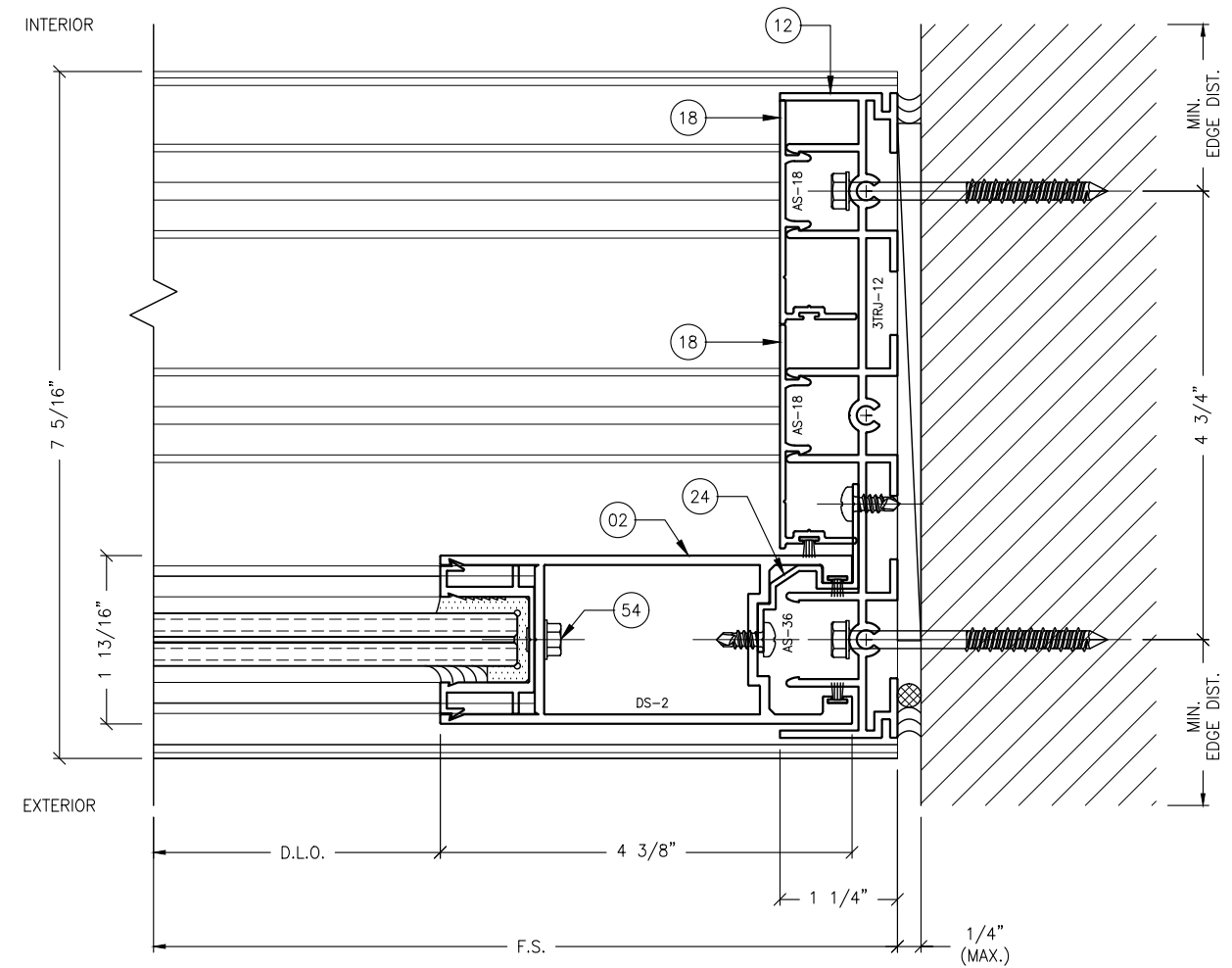


**ANCHOR NOTES:**

1. FOR ANCHOR LAYOUT AND LOCATIONS, REFER TO SECTION 3.0.
2. FOR MINIMUM ANCHORAGE REQUIREMENTS, REFER TO SECTION 7.0.
3. USE CHARTS IN SECTIONS 7.0 AND 9.0, IN CONJUNCTION WITH GLAZING DESIGN LOAD CAPACITIES CHARTS IN SECTION 6.0 FOR APPLICABLE VALUES CONTROL.
4. FOR SUBSTRATE ANCHORING CONDITIONS, REFER TO THE FOLLOWING:  
 AT HEAD: SHEETS 8.0 THRU 8.3;  
 AT SILL: SHEETS 8.4 THRU 8.8;  
 AT JAMBS: SHEETS 8.9 THRU 8.12.



**1** JAMB DETAIL  
5.8 TYPICAL

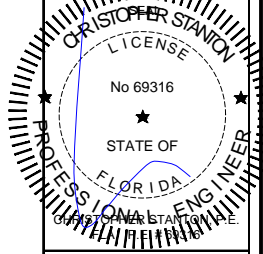


**2** JAMB DETAIL  
5.8 TYPICAL

REVISIONS:	NO.	DATE	DESCRIPTION
	1		
	2		
	3		
	4		

THIS DRAWING SET IS AN INSTRUMENT OF SERVICE AND IS THE PROPERTY OF STANTON ENGINEERING, INC. AND IS NOT TO BE REPRODUCED, IN PART, OR AS A WHOLE, WITHOUT THE EXPRESSED, WRITTEN PERMISSION OF STANTON ENGINEERING, INC.

SHOP DRAWINGS ARE REVIEWED FOR STRUCTURAL DETAILS ONLY!



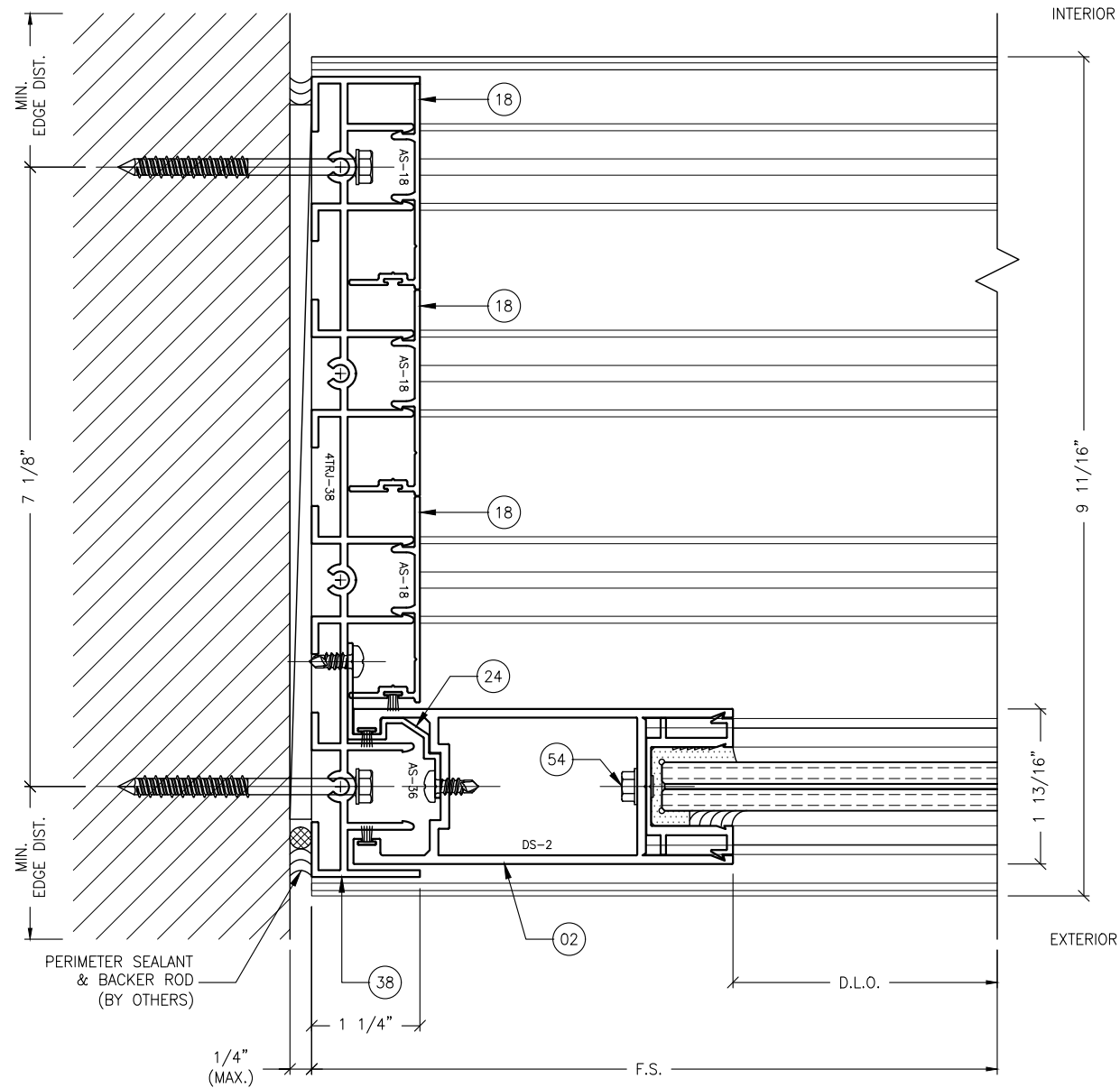
**STANTON ENGINEERING, INC.**  
**STRUCTURAL ENGINEERING SERVICES**  
 2701 NORTHWEST BOCA RATON BOULEVARD, SUITE 204  
 BOCA RATON, FLORIDA 33431  
 TEL: (561) 393-1008  
 FAX: (561) 393-1003

**PROJECT:** SERIES SGD 1000  
**OWNER:** VELOCITY IMPACT PRODUCTS  
 SLIDING GLASS DOOR SYSTEM  
 PRODUCT APPROVAL FBC (2020): FL# 31650.1  
 2200 AVENUE L, WEST PALM BEACH, FLORIDA, 33404  
 TEL: (561) 425-5740 NET: www.velocityimpactproducts.com

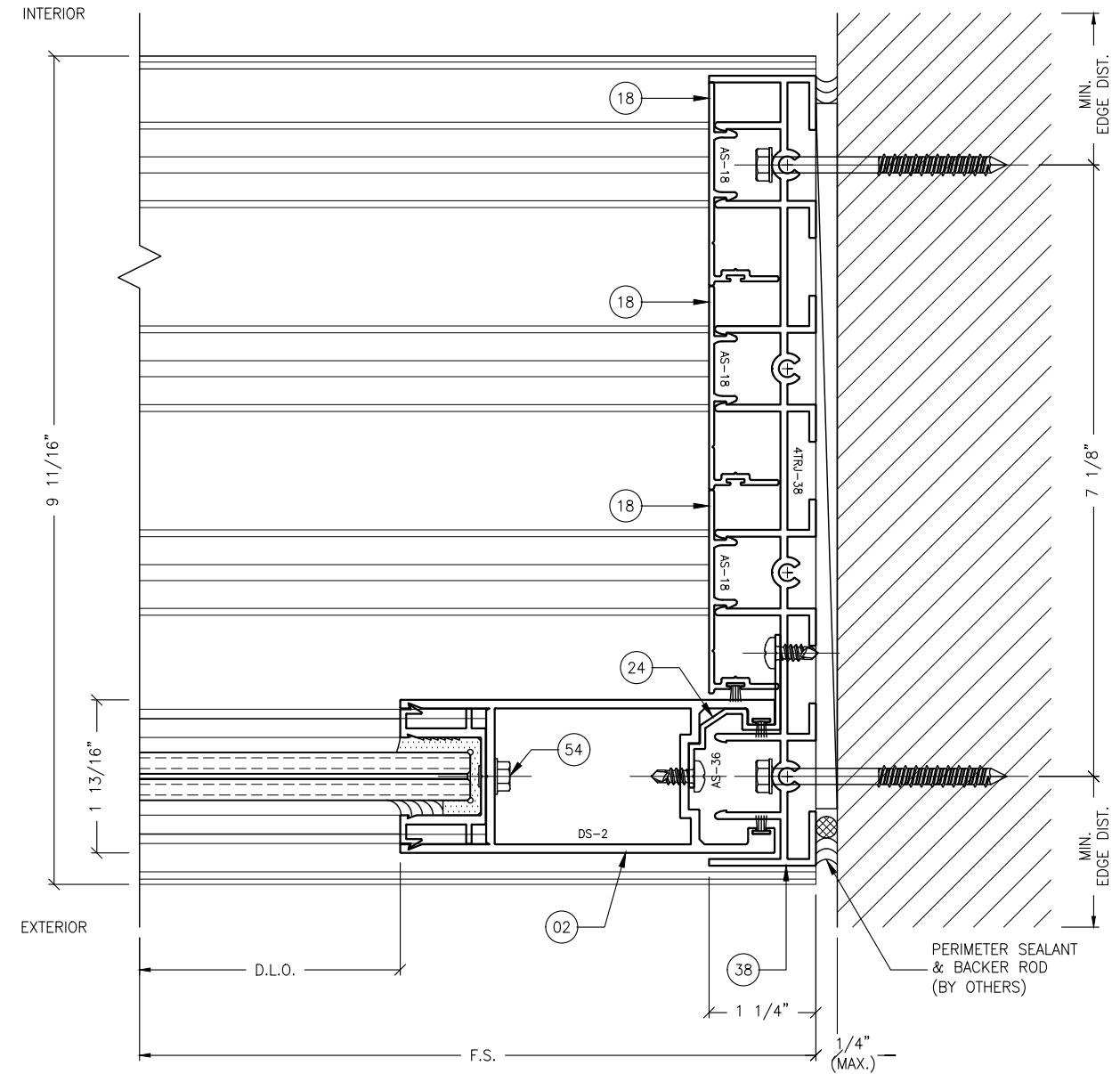
SUBMIT DATE:	01APR2019
DRAWN BY:	KJT
CHECKED BY:	CS
DESCRIPTION	TYPICAL DETAILS
SCALE:	6" = 1'-0" [1:2]
PLOT SIZE:	ANSI B (11" X 17")
SHEET NO.	5.8
	15 of 42
	JOB NO. 0000-00

**ANCHOR NOTES:**

1. FOR ANCHOR LAYOUT AND LOCATIONS, REFER TO SECTION 3.0.
2. FOR MINIMUM ANCHORAGE REQUIREMENTS, REFER TO SECTION 7.0.
3. USE CHARTS IN SECTIONS 7.0 AND 9.0, IN CONJUNCTION WITH GLAZING DESIGN LOAD CAPACITIES CHARTS IN SECTION 6.0 FOR APPLICABLE VALUES CONTROL.
4. FOR SUBSTRATE ANCHORING CONDITIONS, REFER TO THE FOLLOWING:  
 AT HEAD: SHEETS 8.0 THRU 8.3;  
 AT SILL: SHEETS 8.4 THRU 8.8;  
 AT JAMBS: SHEETS 8.9 THRU 8.12.



**1** JAMB DETAIL  
5.9 TYPICAL

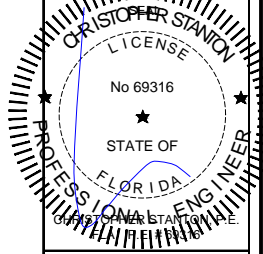


**2** JAMB DETAIL  
5.9 TYPICAL

REVISIONS:	NO.	DATE	DESCRIPTION
	1		
	2		
	3		
	4		

THIS DRAWING SET IS AN INSTRUMENT OF SERVICE AND IS THE PROPERTY OF STANTON ENGINEERING, INC. AND IS NOT TO BE REPRODUCED, IN PART, OR AS A WHOLE, WITHOUT THE EXPRESSED, WRITTEN PERMISSION OF STANTON ENGINEERING, INC.

SHOP DRAWINGS ARE REVIEWED FOR STRUCTURAL DETAILS ONLY!



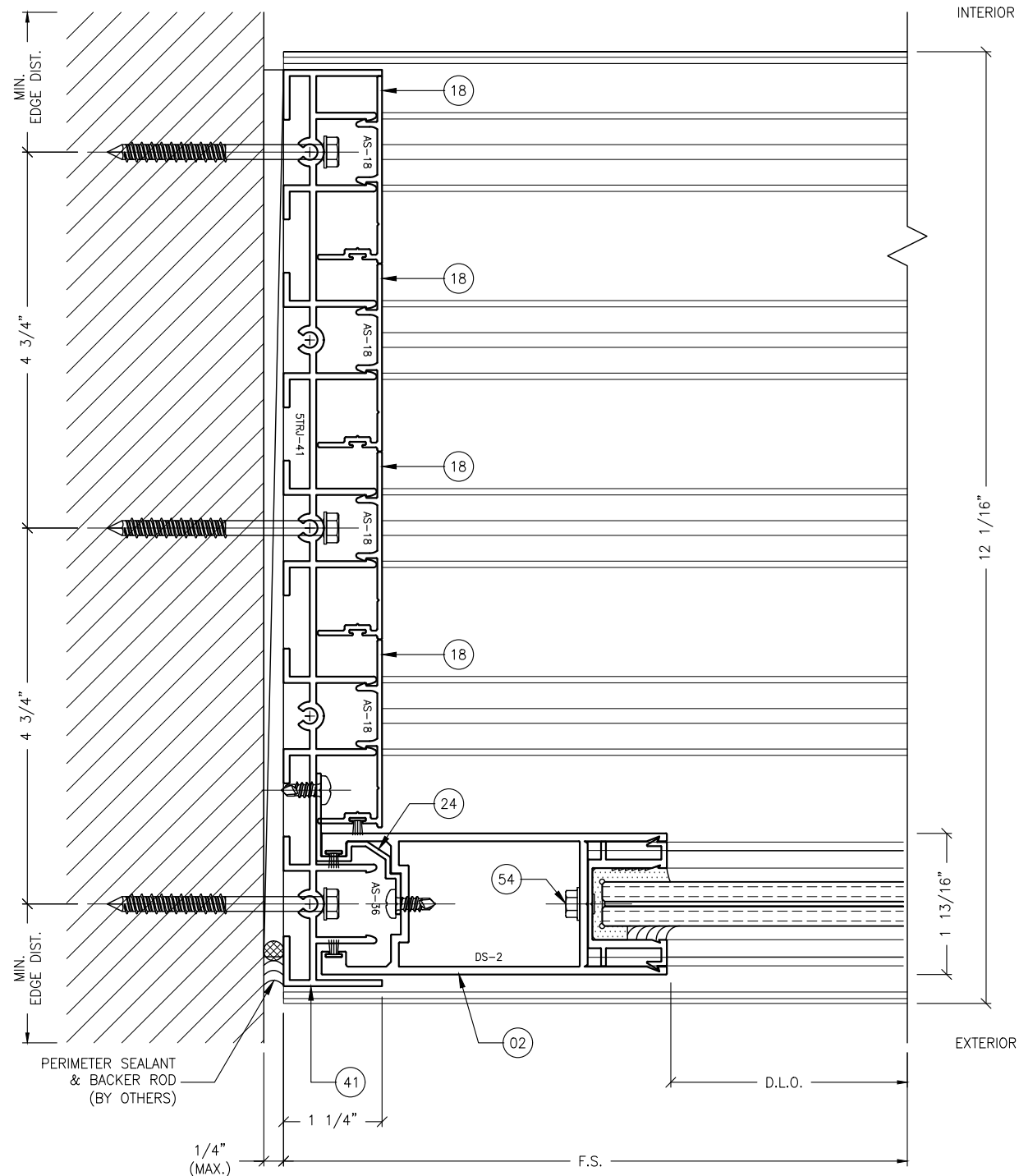
**STANTON ENGINEERING, INC.**  
**STRUCTURAL ENGINEERING SERVICES**  
 2701 NORTHWEST BOCA RATON BOULEVARD, SUITE 204  
 BOCA RATON, FLORIDA 33431  
 TEL: (561) 393-1008  
 FAX: (561) 393-1003

**PROJECT:** SERIES SGD 1000  
**OWNER:** VELOCITY IMPACT PRODUCTS  
**SLIDING GLASS DOOR SYSTEM**  
 PRODUCT APPROVAL FBC (2020): FL# 31650.1  
 2200 AVENUE L, WEST PALM BEACH, FLORIDA, 33404  
 TEL: (561) 4285740 NET: www.velocityimpactproducts.com

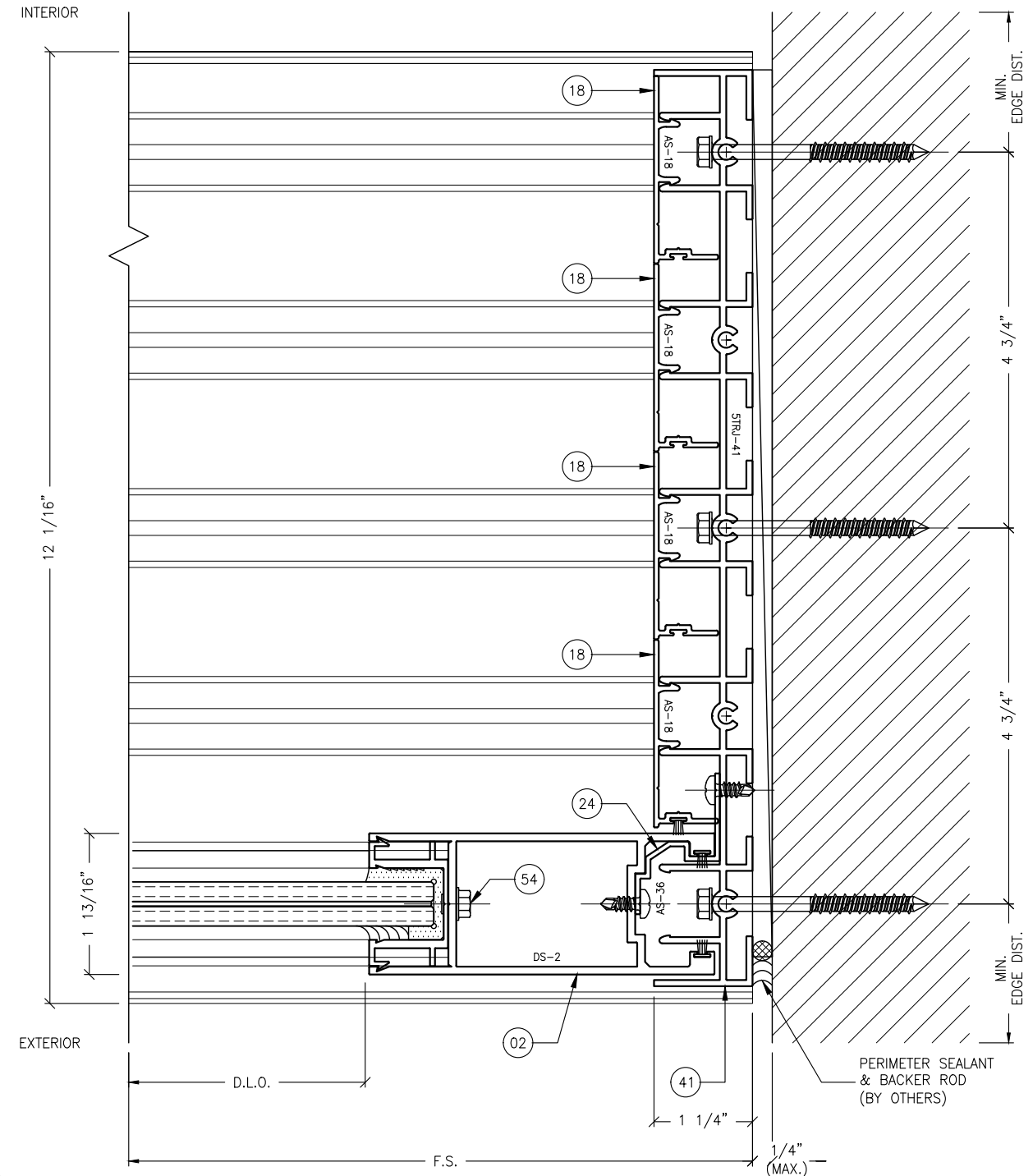
SUBMIT DATE:	01APR2019
DRAWN BY:	KJT
CHECKED BY:	CS
DESCRIPTION	TYPICAL DETAILS
SCALE:	6" = 1'-0" [1:2]
PLOT SIZE:	ANSI B (11" X 17")
SHEET NO.	5.9
	16 of 42
JOB NO.	0000-00

**ANCHOR NOTES:**

- FOR ANCHOR LAYOUT AND LOCATIONS, REFER TO SECTION 3.0.
- FOR MINIMUM ANCHORAGE REQUIREMENTS, REFER TO SECTION 7.0.
- USE CHARTS IN SECTIONS 7.0 AND 9.0, IN CONJUNCTION WITH GLAZING DESIGN LOAD CAPACITIES CHARTS IN SECTION 6.0 FOR APPLICABLE VALUES CONTROL.
- FOR SUBSTRATE ANCHORING CONDITIONS, REFER TO THE FOLLOWING:  
 AT HEAD: SHEETS 8.0 THRU 8.3;  
 AT SILL: SHEETS 8.4 THRU 8.8;  
 AT JAMBS: SHEETS 8.9 THRU 8.12.



**1** JAMB DETAIL  
5.10 TYPICAL

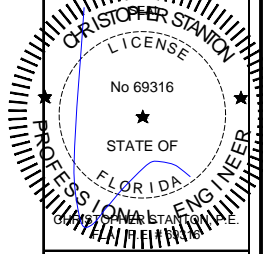


**2** JAMB DETAIL  
5.10 TYPICAL

REVISIONS:	NO.	DATE	DESCRIPTION
	1		
	2		
	3		
	4		

THIS DRAWING SET IS AN INSTRUMENT OF SERVICE AND IS THE PROPERTY OF STANTON ENGINEERING, INC. AND IS NOT TO BE REPRODUCED, IN PART, OR AS A WHOLE, WITHOUT THE EXPRESSED, WRITTEN PERMISSION OF STANTON ENGINEERING, INC.

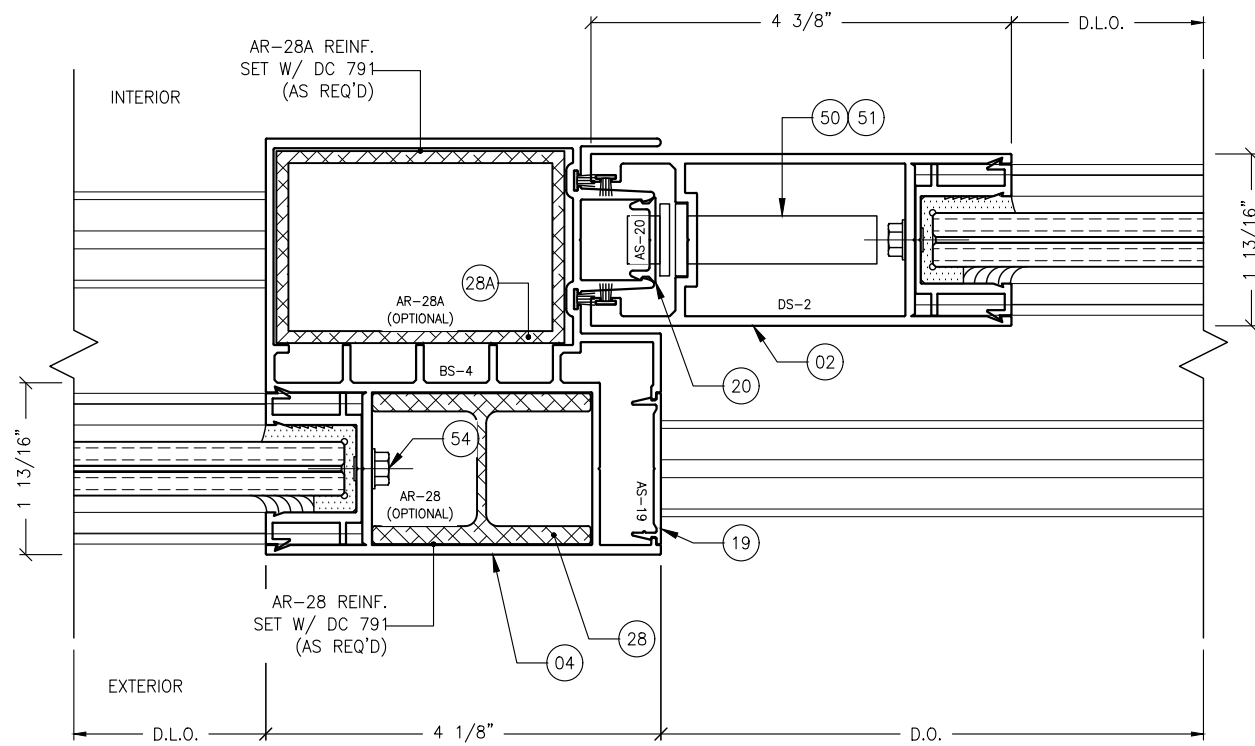
SHOP DRAWINGS ARE REVIEWED FOR STRUCTURAL DETAILS ONLY!



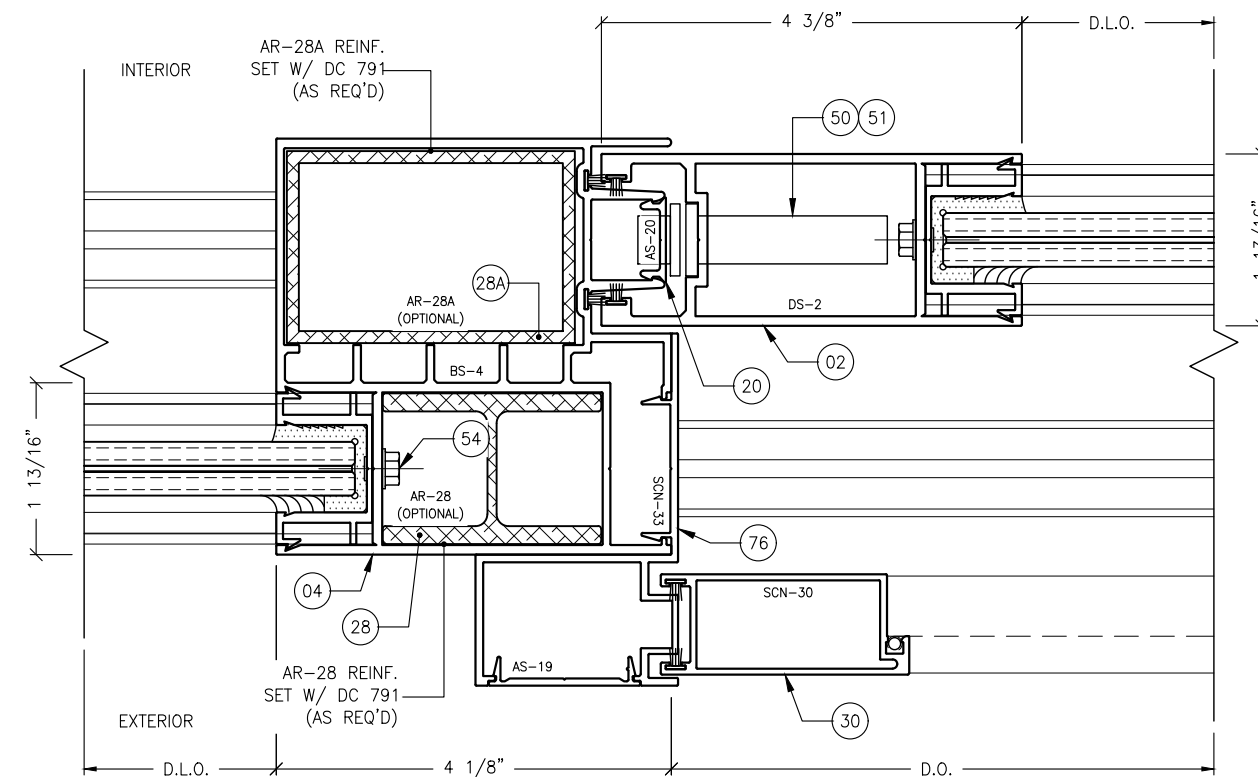
**STANTON ENGINEERING, INC.**  
**STRUCTURAL ENGINEERING SERVICES**  
 2701 NORTHWEST BOCA RATON BOULEVARD, SUITE 204  
 BOCA RATON, FLORIDA 33431  
 TEL: (561) 393-1003  
 FAX: (561) 393-1008

**PROJECT:** SERIES SGD 1000  
**OWNER:** VELOCITY IMPACT PRODUCTS  
 SLIDING GLASS DOOR SYSTEM  
 PRODUCT APPROVAL FBC (2020): FL# 31650.1  
 2200 AVENUE L, WEST PALM BEACH, FLORIDA, 33404  
 TEL: (561) 4285740 NET: www.velocityimpactproducts.com

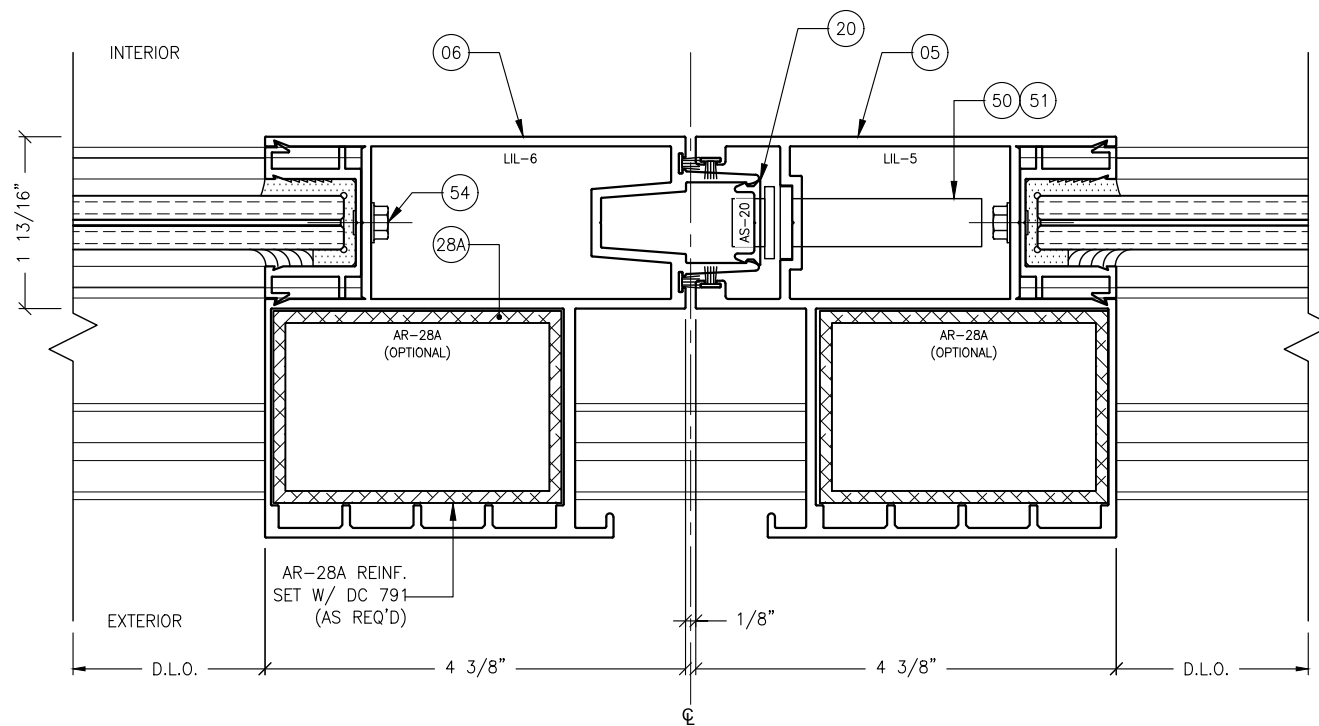
SUBMIT DATE:	01APR2019
DRAWN BY:	KJT
CHECKED BY:	CS
DESCRIPTION	TYPICAL DETAILS
SCALE:	6" = 1'-0" (1:2)
PLOT SIZE:	ANSI B (11" X 17")
SHEET NO.	5.10
	17 of 42
	JOB NO. 0000-00



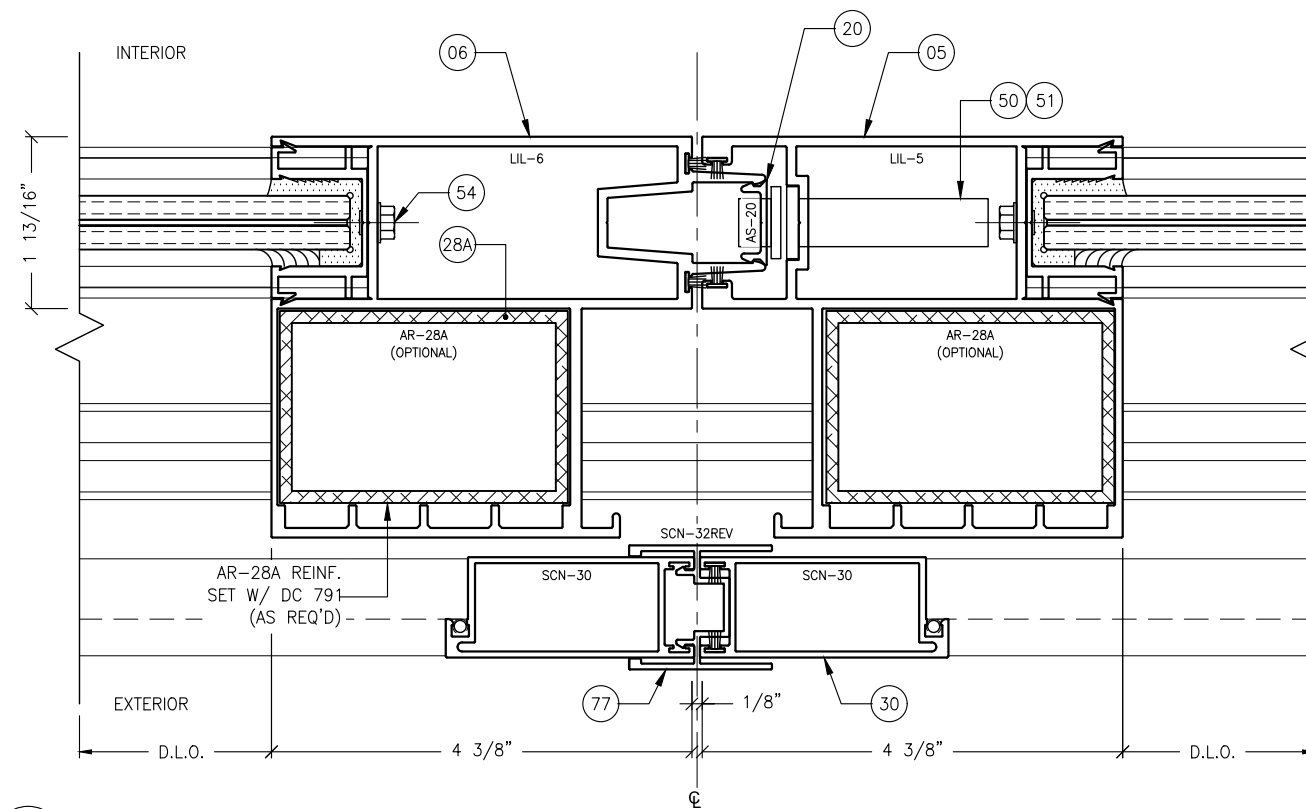
1  
5.11 OFFSET MEETING STILE DETAIL TYPICAL



2  
5.11 OFFSET MEETING STILE DETAIL TYPICAL W/ SCREEN



3  
5.11 MEETING STILE DETAIL TYPICAL

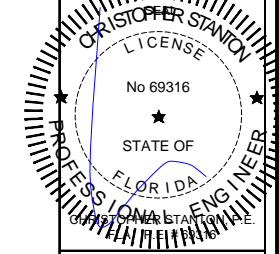


4  
5.11 MEETING STILE DETAIL TYPICAL W/ SCREEN

REVISIONS:	NO.	DATE	DESCRIPTION
	1		
	2		
	3		
	4		

THIS DRAWING SET IS AN INSTRUMENT OF SERVICE AND IS THE PROPERTY OF STANTON ENGINEERING, INC. AND IS NOT TO BE REPRODUCED, IN PART, OR AS A WHOLE, WITHOUT THE EXPRESSED, WRITTEN PERMISSION OF STANTON ENGINEERING, INC.

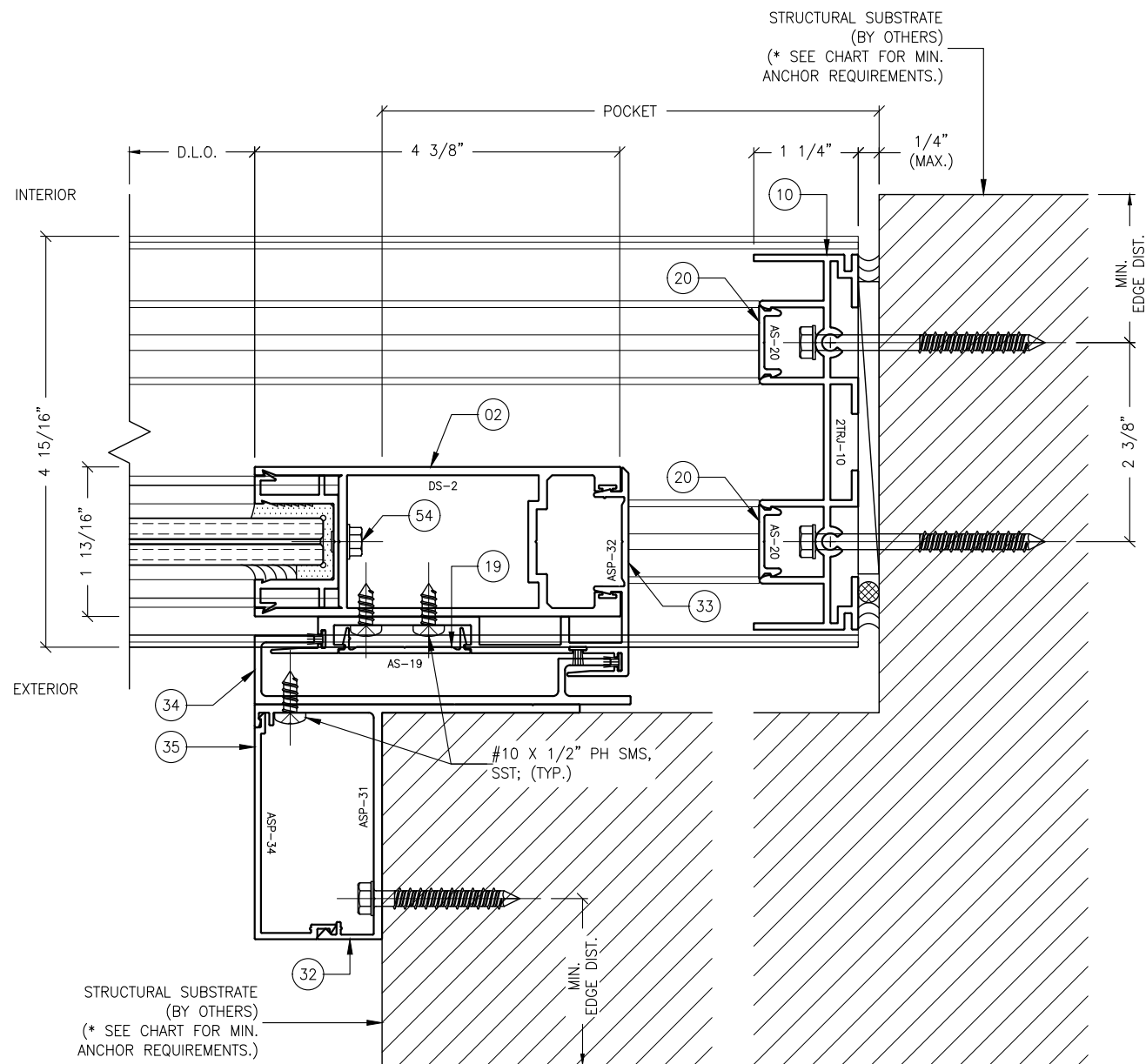
SHOP DRAWINGS ARE REVIEWED FOR STRUCTURAL DETAILS ONLY!



**STANTON ENGINEERING, INC.**  
**STRUCTURAL ENGINEERING SERVICES**  
 2701 NORTHWEST BOCA RATON BOULEVARD, SUITE 204  
 BOCA RATON, FLORIDA 33431  
 TEL: (561) 393-1008  
 FAX: (561) 393-1003

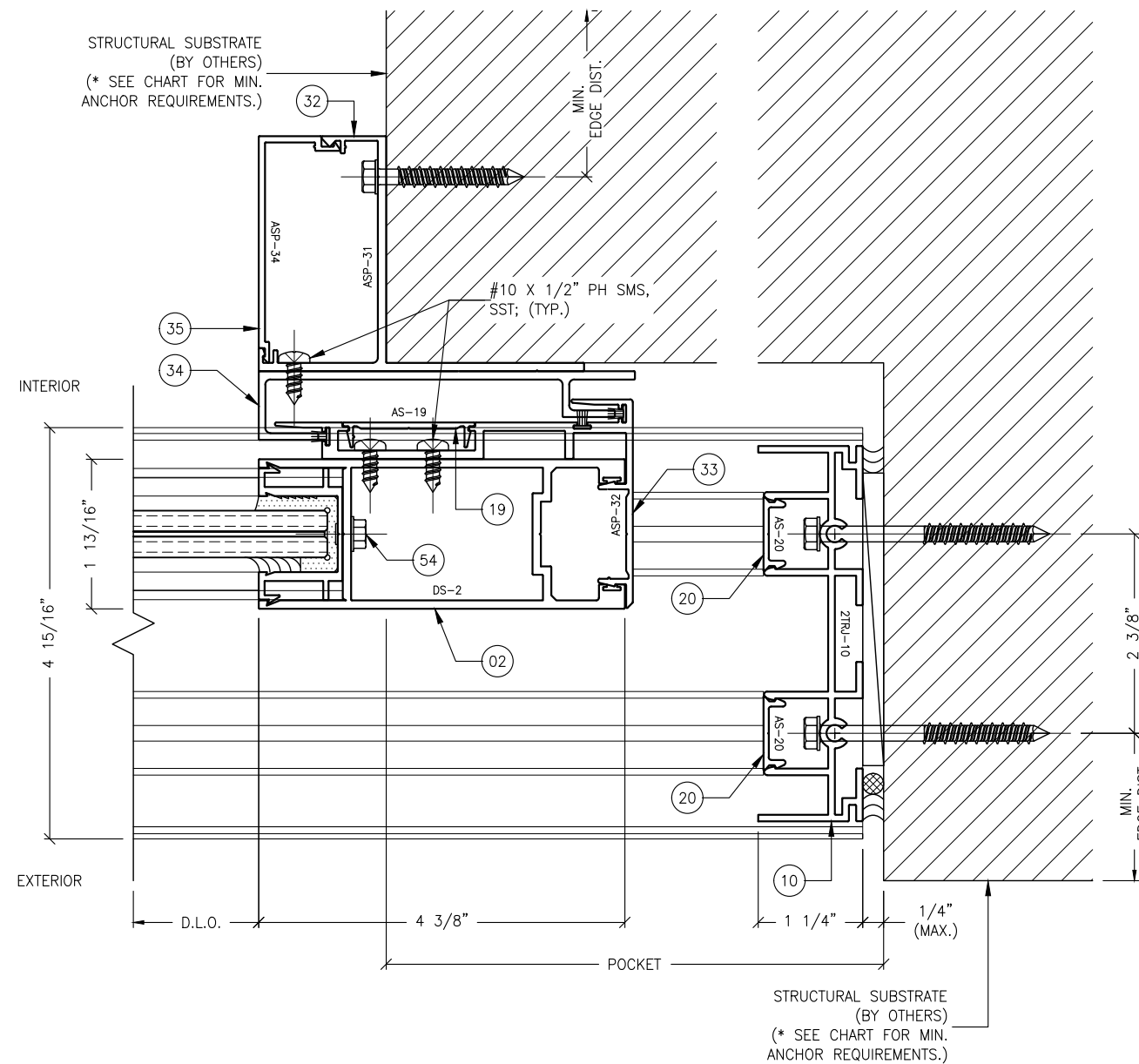
**PROJECT:** SLIDING GLASS DOOR SYSTEM  
**OWNER:** PRODUCT APPROVAL FBC (2020): FL# 31650.1  
**VELOCITY IMPACT PRODUCTS**  
 2200 AVENUE L, WEST PALM BEACH, FLORIDA, 33404  
 TEL: (561) 425-5740 NET: www.velocityimpactproducts.com

**SUBMIT DATE:** 01APR2019  
**DRAWN BY:** KJT  
**CHECKED BY:** CS  
**DESCRIPTION:** TYPICAL DETAILS  
**SCALE:** 6" = 1'-0" (1:2)  
**PLOT SIZE:** ANSI B (11" X 17")  
**SHEET NO.:** 5.11  
 18 of 42  
 JOB NO. 0000-00



STRUCTURAL SUBSTRATE  
(BY OTHERS)  
(\* SEE CHART FOR MIN.  
ANCHOR REQUIREMENTS.)

STRUCTURAL SUBSTRATE  
(BY OTHERS)  
(\* SEE CHART FOR MIN.  
ANCHOR REQUIREMENTS.)



**ANCHOR NOTES:**

1. FOR ANCHOR LAYOUT AND LOCATIONS, REFER TO SECTION 3.0.
2. FOR MINIMUM ANCHORAGE REQUIREMENTS, REFER TO SECTION 7.0.
3. USE CHARTS IN SECTIONS 7.0 AND 9.0, IN CONJUNCTION WITH GLAZING DESIGN LOAD CAPACITIES CHARTS IN SECTION 6.0 FOR APPLICABLE VALUES CONTROL.
4. FOR SUBSTRATE ANCHORING CONDITIONS, REFER TO THE FOLLOWING:

AT HEAD: SHEETS 8.0 THRU 8.3;  
AT SILL: SHEETS 8.4 THRU 8.8;  
AT JAMBS: SHEETS 8.9 THRU 8.12.

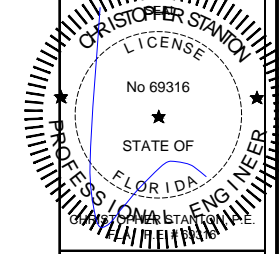
**1** INTERIOR  
POCKET JAMB DETAIL  
5.12 TYPICAL

**2** EXTERIOR  
POCKET JAMB DETAIL  
5.12 TYPICAL

REVISIONS:	NO.	DATE	DESCRIPTION
	1		
	2		
	3		
	4		
	5		

THIS DRAWING SET IS AN INSTRUMENT OF SERVICE AND IS THE PROPERTY OF STANTON ENGINEERING, INC. AND IS NOT TO BE REPRODUCED, IN PART, OR AS A WHOLE, WITHOUT THE EXPRESSED, WRITTEN PERMISSION OF STANTON ENGINEERING, INC.

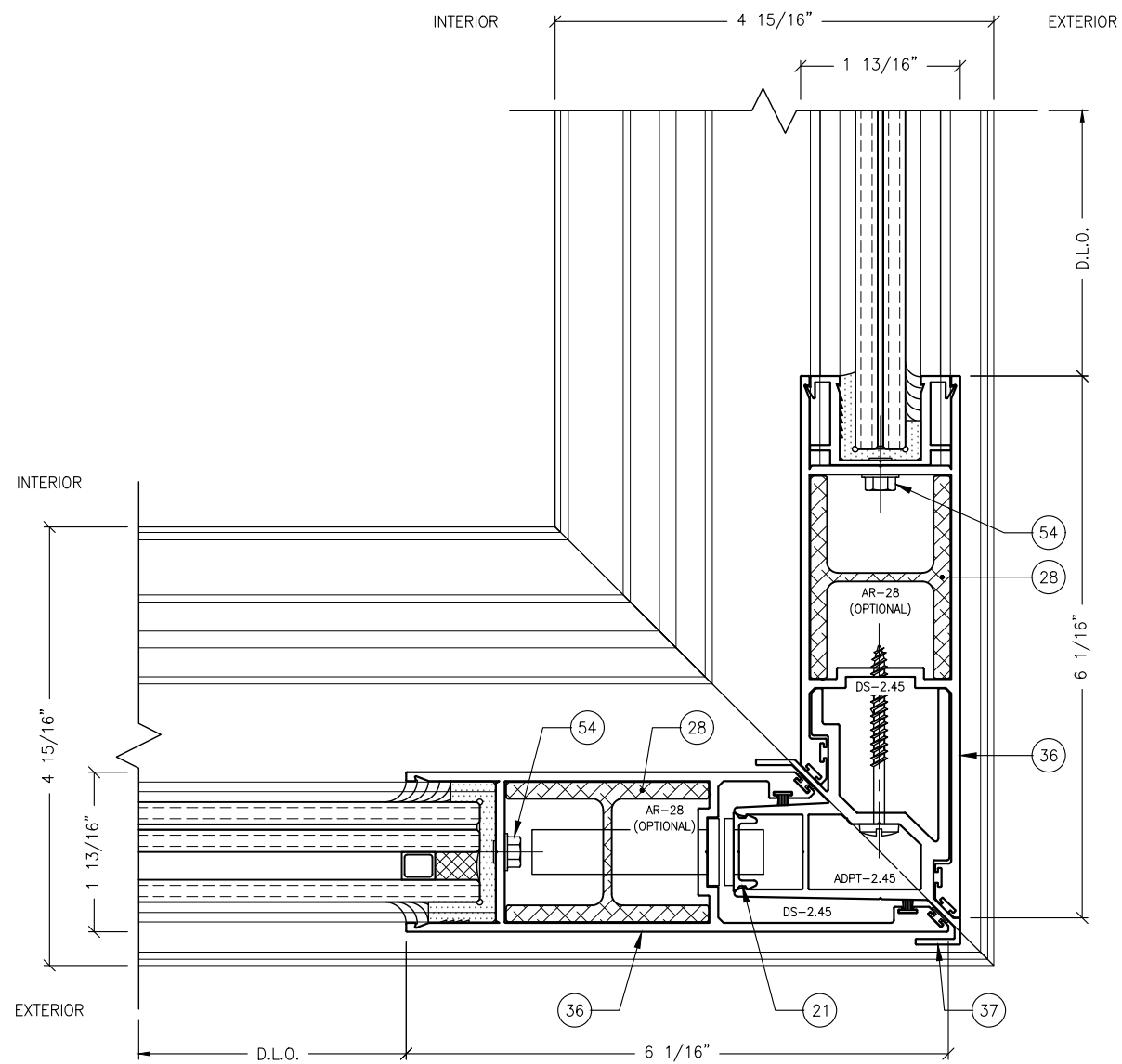
SHOP DRAWINGS ARE REVIEWED FOR STRUCTURAL DETAILS ONLY!



**STANTON ENGINEERING, INC.**  
STRUCTURAL ENGINEERING SERVICES  
2701 NORTHWEST BOCA RATON BOULEVARD, SUITE 204  
BOCA RATON, FLORIDA 33431  
TEL: (561) 393-1008  
FAX: (561) 393-1003

**SERIES SGD 1000**  
SLIDING GLASS DOOR SYSTEM  
PRODUCT APPROVAL FBC (2020): FL# 31650.1  
**VELOCITY IMPACT PRODUCTS**  
2200 AVENUE L, WEST PALM BEACH, FLORIDA, 33404  
TEL: (561) 425-5740 NET: www.velocityimpactproducts.com

SUBMIT DATE:	01APR2019
DRAWN BY:	KJT
CHECKED BY:	CS
DESCRIPTION	TYPICAL DETAILS
SCALE:	6" = 1'-0" [1:2]
PLOT SIZE:	ANSI B (11" X 17")
SHEET NO.	5.12
	19 of 42
	JOB NO. 0000-00

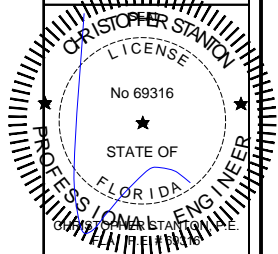


1 CORNER DETAIL  
5.13 TYPICAL

REVISIONS:	NO.	DATE	DESCRIPTION
	1		
	2		
	3		
	4		
	5		

THIS DRAWING SET IS AN INSTRUMENT OF SERVICE AND IS THE PROPERTY OF STANTON ENGINEERING, INC. AND IS NOT TO BE REPRODUCED, IN PART, OR AS A WHOLE, WITHOUT THE EXPRESSED, WRITTEN PERMISSION OF STANTON ENGINEERING, INC.

SHOP DRAWINGS ARE REVIEWED FOR STRUCTURAL DETAILS ONLY!



**STANTON ENGINEERING, INC.**  
**STRUCTURAL ENGINEERING SERVICES**  
 2701 NORTHWEST BOCA RATON BOULEVARD, SUITE 204  
 BOCA RATON, FLORIDA 33431  
 TEL: (561) 393-1008  
 FAX: (561) 393-1003

**PROJECT:** SERIES SGD 1000  
**OWNER:** VELOCITY IMPACT PRODUCTS  
 SLIDING GLASS DOOR SYSTEM  
 PRODUCT APPROVAL FBC (2020): FL# 31650.1  
 2200 AVENUE L, WEST PALM BEACH, FLORIDA, 33404  
 TEL: (561) 428-5740 NET: www.velocityimpactproducts.com

SUBMIT DATE: 01APR2019

DRAWN BY: KJT

CHECKED BY: CS

DESCRIPTION  
TYPICAL DETAILS

SCALE: 6" = 1'-0" [1:2]

PLOT SIZE: ANSI B (11" X 17")

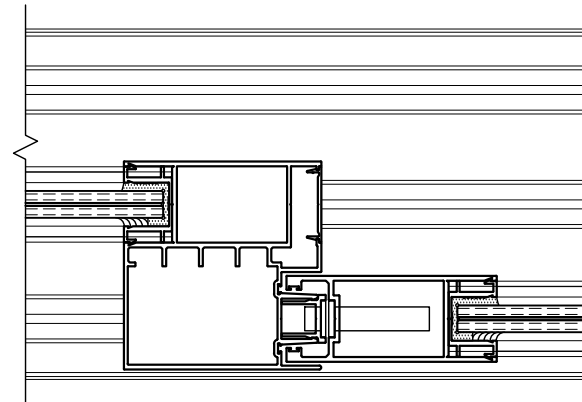
SHEET NO.  
**5.13** 20 of 42  
JOB NO. 0000-00



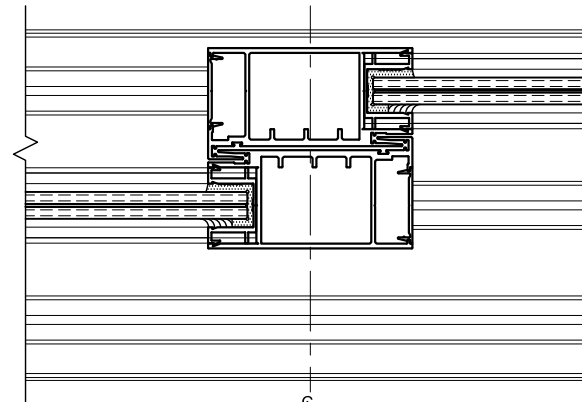


GLAZING NOTES:

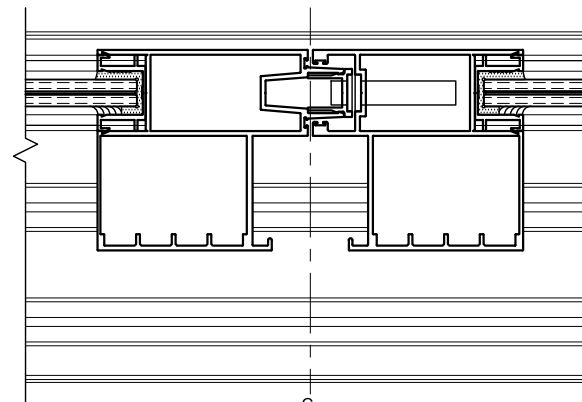
1. USE THIS CHART IN CONJUNCTION WITH GLAZING TYPES ILLUSTRATED IN SECTION 9.0 FOR GLASS MAKE-UP COMPOSITION.
2. APPLIED WITHOUT REINFORCEMENT.



1 OFFSET MEETING STILE  
6.1 W/O REINFORCEMENT



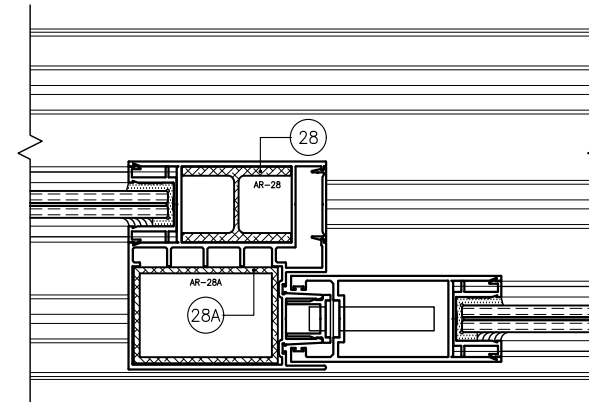
2 INTERLOCK STILE  
6.1 W/O REINFORCEMENT



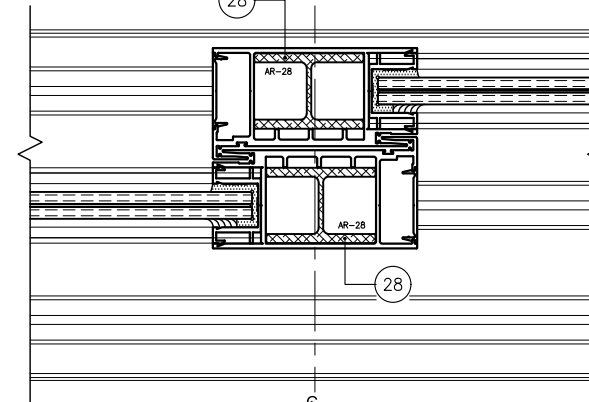
3 MEETING STILE  
6.1 W/O REINFORCEMENT

GLAZING NOTES:

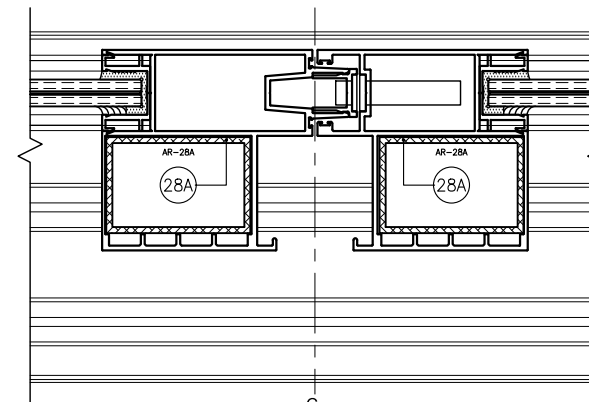
1. USE THIS CHART IN CONJUNCTION WITH GLAZING TYPES ILLUSTRATED IN SECTION 9.0 FOR GLASS MAKE-UP COMPOSITION.
2. APPLIED WITH REINFORCEMENT.



1A OFFSET MEETING STILE  
6.1 W/ REINFORCEMENT



2A INTERLOCK STILE  
6.1 W/ REINFORCEMENT



3A MEETING STILE  
6.1 W/ REINFORCEMENT

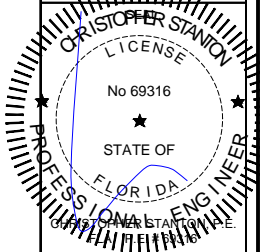
SILL RISER NOTES:

1. REFER TO SHEET 8.13 FOR POSITIVE DESIGN PRESSURE LIMITATIONS BASED ON WATER TEST ASSOCIATED WITH ALTERNATE SILL RISER HEIGHTS.

REVISIONS:	NO.	DATE	DESCRIPTION
	1		
	2		
	3		
	4		

THIS DRAWING SET IS AN INSTRUMENT OF SERVICE AND IS THE PROPERTY OF STANTON ENGINEERING, INC. AND IS NOT TO BE REPRODUCED, IN PART, OR AS A WHOLE, WITHOUT THE EXPRESSED, WRITTEN PERMISSION OF STANTON ENGINEERING, INC.

SHOP DRAWINGS ARE REVIEWED FOR STRUCTURAL DETAILS ONLY!



**STANTON ENGINEERING, INC.**  
STRUCTURAL ENGINEERING SERVICES

2701 NORTHWEST BOCA RATON BOULEVARD, SUITE 204  
BOCA RATON, FLORIDA 33431  
TEL: (561) 393-1003 FAX: (561) 393-1008

**PROJECT:** SERIES SGD 1000  
**OWNER:** SLIDING GLASS DOOR SYSTEM  
PRODUCT APPROVAL FBC (2020): FL# 31650.1

**VELOCITY IMPACT PRODUCTS**  
2200 AVENUE L, WEST PALM BEACH, FLORIDA, 33404  
TEL: (561) 428-5740 NET: www.velocityimpactproducts.com



SUBMIT DATE: 01APR2019

DRAWN BY: KJT

CHECKED BY: CS

DESCRIPTION  
GLAZING CHARTS

SCALE: 3" = 1'-0" (1:4)

PLOT SIZE: ANSI B (11" X 17")

SHEET NO.

6.1 22 of 42  
JOB NO. 0000-00

CHART 7.0.3 DESIGN LOAD CAPACITY, ANCHORS (PSF)

NOMINAL PANEL WIDTH (INCHES)	DOOR FRAME HEIGHT (INCHES)	AT ENDS, CLUSTERS AT INTERLOCKS & STILES, (POS./NEG.), 1/4" MAX. SHIM.				
		ANCHOR TYPE A	ANCHOR TYPE B		ANCHOR TYPE C	
		A(8)	B(8)	B1(8)	C(8)	
24	84	140.0	140.0	140.0	140.0	
30		140.0	140.0	140.0	140.0	
36		140.0	140.0	140.0	140.0	
42		140.0	140.0	140.0	140.0	
48		140.0	140.0	140.0	140.0	
54		140.0	140.0	140.0	140.0	
60		140.0	140.0	140.0	140.0	
63		140.0	140.0	140.0	140.0	
66		140.0	140.0	140.0	140.0	
70		140.0	140.0	140.0	140.0	
72	140.0	140.0	140.0	140.0		
24	90	140.0	140.0	140.0	140.0	
30		140.0	140.0	140.0	140.0	
36		140.0	140.0	140.0	140.0	
42		140.0	140.0	140.0	140.0	
48		140.0	140.0	140.0	140.0	
54		140.0	140.0	140.0	140.0	
60		140.0	140.0	140.0	140.0	
63		140.0	140.0	140.0	140.0	
66		140.0	140.0	140.0	140.0	
70		140.0	140.0	140.0	140.0	
72	140.0	140.0	140.0	140.0		
24	96	140.0	140.0	140.0	140.0	
30		140.0	140.0	140.0	140.0	
36		140.0	140.0	140.0	140.0	
42		140.0	140.0	140.0	140.0	
48		140.0	140.0	140.0	140.0	
54		140.0	140.0	140.0	140.0	
60		140.0	140.0	140.0	140.0	
63		140.0	140.0	140.0	140.0	
66		140.0	140.0	140.0	140.0	
70		138.5	140.0	140.0	136.5	
72	134.7	140.0	140.0	132.7		
24	102	140.0	140.0	140.0	140.0	
30		140.0	140.0	140.0	140.0	
36		140.0	140.0	140.0	140.0	
42		140.0	140.0	140.0	140.0	
48		140.0	140.0	140.0	140.0	
54		140.0	140.0	140.0	140.0	
60		140.0	140.0	140.0	140.0	
63		140.0	140.0	140.0	140.0	
66		138.3	140.0	140.0	136.2	
70		130.4	140.0	140.0	128.4	
24	108	140.0	140.0	140.0	140.0	
30		140.0	140.0	140.0	140.0	
36		140.0	140.0	140.0	140.0	
42		140.0	140.0	140.0	140.0	
48		140.0	140.0	140.0	140.0	
54		140.0	140.0	140.0	140.0	
60		140.0	140.0	140.0	140.0	
63		136.8	140.0	140.0	134.8	
66		130.6	140.0	140.0	128.6	
24		114	80.0	80.0	80.0	80.0
30	80.0		80.0	80.0	80.0	
36	80.0		80.0	80.0	80.0	
42	80.0		80.0	80.0	80.0	
48	80.0		80.0	80.0	80.0	
54	80.0		80.0	80.0	80.0	
60	80.0		80.0	80.0	80.0	
63	80.0		80.0	80.0	80.0	
24	120		80.0	80.0	80.0	80.0
30			80.0	80.0	80.0	80.0
36		80.0	80.0	80.0	80.0	
42		80.0	80.0	80.0	80.0	
48		80.0	80.0	80.0	80.0	
54		80.0	80.0	80.0	80.0	
60		80.0	80.0	80.0	80.0	

ANCHOR CLUSTER NOTES:

- A(8), B(8) & C(8) ANCHORS, TYPES A, B & C; (2) ROWS OF (2) EA. SIDE OF INTERLOCKS & STILES.
- B1(8) ANCHORS, TYPE B; SPACING AT 4" C/C; (2) ROWS OF (2) EA. SIDE OF INTERLOCKS & STILES.
- REFER TO SHEET 8.13 FOR ANCHOR CLUSTER LAYOUTS.

ANCHOR TYPE NOTES:

- FOR ANCHOR LAYOUT AND LOCATIONS, REFER TO SECTION 3.0.
- USE THE CHARTS ON THIS SHEET, IN CONJUNCTION WITH GLAZING DESIGN LOAD CAPACITIES CHARTS IN SECTION 6.0 FOR APPLICABLE VALUES CONTROL.
- FOR SUBSTRATE ANCHORING CONDITIONS, REFER TO THE FOLLOWING:  
 AT HEAD: SHEETS 8.0 THRU 8.3;  
 AT SILL: SHEETS 8.4 THRU 8.8;  
 AT JAMBS: SHEETS 8.9 THRU 8.12.

7.0.4 TYPICAL ANCHORS (HEAD/SILL/JAMB):

(SEE ELEVATIONS FOR SPACING.)

TYPE A: 5/16" ULTRACON, BY ELCO; OR EQUIVALENT (FU=177 KSI, FY=155 KSI)  
 DIRECTLY INTO WOOD STRUCTURES, (SG=0.55 MIN.):  
 1-1/2" MIN. EMBED.  
 MIN. EDGE DIST. INTO:  
 WOOD STRUCTURES: 1-9/16" MIN.

TYPE B: 1/4" ULTRACON, BY ELCO; OR EQUIVALENT (FU=177 KSI, FY=155 KSI)  
 THRU 1BY WOOD BUCK AND:  
 1-3/4" MIN. EMBED. INTO CONCRETE.  
 THRU 2BY WOOD BUCK AND:  
 1-3/4" MIN. EMBED. INTO CONCRETE.  
 MIN. EDGE DIST. INTO:  
 CONCRETE: 2-1/2" MIN.

TYPE B1: 1/4" ULTRACON, BY ELCO; OR EQUIVALENT (FU=177 KSI, FY=155 KSI)  
 DIRECTLY INTO CONCRETE, (F'C=3,000 PSI MIN.):  
 1-3/4" MIN. EMBED.  
 MIN. EDGE DIST. INTO:  
 CONCRETE: 2-1/2" MIN.  
 ANCHOR SPACING, (C/C) INTO:  
 CONCRETE: 4" MIN.

INTO C-90 CMU BLOCK, (\*AT JAMB CONDITIONS ONLY.)  
 (F'M=2,000 PSI MIN.):  
 1-1/4" MIN. EMBED. INTO HOLLOW BLOCK;  
 1-3/4" MIN. EMBED. INTO GROUT-FILLED BLOCK.  
 MIN. EDGE DIST. INTO:  
 CONC. OR MASONRY: 2-1/2" MIN.  
 ANCHOR SPACING, (C/C) INTO:  
 GROUT-FILLED BLOCK: 4" MIN.

TYPE C: #14 TEKS SELF-DRILLING SCREWS; OR EQUIVALENT (GRADE 5 CRS)  
 INTO METAL STRUCTURES, (3 MIN. PITCHES BEYOND FULL EMBED.):  
 ALUMINUM: 1/8" THK. MIN. (6063-T5 MIN.)  
 STEEL: 1/8" THK. MIN. (FY=36 KSI MIN.)  
 METAL STUD: 16 GA. MIN.  
 (DISSIMILAR METALS IN CONTACT TO BE PAINTED OR PLATED.)  
 MIN. EDGE DIST. INTO:  
 METAL STRUCTURES: 3/4" MIN.

TYPE D: SIKAFLEX 1A ASSEMBLY ADHESIVE; OR EQUIVALENT (POURED AND CURED, NON-METALLIC/NON-SHRINKAGE)  
 DIRECTLY ONTO CONCRETE, (\*AT SILL CONDITION ONLY.), (F'C=5,000 PSI, MIN.);  
 (PREPARED ADHESION AREA MUST BE DRY, CLEARED & CLEANED OF BOND-INHIBITING MATERIAL.)  
 NOTE: TYPE D IS ACCEPTABLE FOR ALL DESIGN PRESSURES, CONFIGURATIONS & SIZES REFERENCED ON SHEET 6.0.

REVISIONS:	NO.	DATE	DESCRIPTION
	1		
	2		
	3		
	4		
	5		
THIS DRAWING SET IS AN INSTRUMENT OF SERVICE AND IS THE PROPERTY OF STANTON ENGINEERING, INC. AND IS NOT TO BE REPRODUCED, IN PART, OR AS A WHOLE, WITHOUT THE EXPRESSED, WRITTEN PERMISSION OF STANTON ENGINEERING, INC.			
SHOP DRAWINGS ARE REVIEWED FOR STRUCTURAL DETAILS ONLY!			
<b>STANTON ENGINEERING, INC.</b> STRUCTURAL ENGINEERING SERVICES 2701 NORTHWEST BOCA RATON BOULEVARD, SUITE 204 BOCA RATON, FLORIDA 33431 TEL: (561) 393-1003 FAX: (561) 393-1008			
PROJECT:	OWNER:		
SERIES SGD 1000	SLIDING GLASS DOOR SYSTEM		
PRODUCT APPROVAL FBC (2020): FL# 31650.1	VELOCITY IMPACT PRODUCTS		
	2200 AVENUE L, WEST PALM BEACH, FLORIDA, 33404		
	TEL: (561) 4285740		
	NET: www.velocityimpactproducts.com		
SUBMIT DATE: 01APR2019			
DRAWN BY: KJT			
CHECKED BY: CS			
DESCRIPTION			
ANCHOR CHARTS			
SCALE: 3" = 1'-0" [1:4]			
PLOT SIZE: ANSI B (11" X 17")			
SHEET NO.			
7.0 23 of 42			
JOB NO. 0000-00			

CHART 7.1.5 DESIGN LOAD CAPACITY, ANCHORS (PSF)						
NOMINAL PANEL WIDTH (INCHES)	DOOR FRAME HEIGHT (INCHES)	AT ENDS, CLUSTERS W/ NARROW INTERLOCK DETAIL 4/5.6 (POS./NEG.)				
		ANCHOR TYPE A		ANCHOR TYPE B		ANCHOR TYPE C
		A(8)	B(8)	B1(8)	B2(8)	C(8)
72	96	80.0	80.0	80.0	80.0	80.0
72	102	80.0	80.0	80.0	80.0	80.0
66	108	80.0	80.0	80.0	80.0	80.0
60	120	80.0	80.0	80.0	80.0	80.0

**ANCHOR NOTES:**

- FOR ANCHOR LAYOUT AND LOCATIONS, REFER TO SECTION 3.0.
- USE THE CHARTS ON THIS SHEET, IN CONJUNCTION WITH GLAZING DESIGN LOAD CAPACITIES CHARTS IN SECTION 6.0 FOR APPLICABLE VALUES CONTROL.
- FOR SUBSTRATE ANCHORING CONDITIONS, REFER TO THE FOLLOWING:

AT HEAD: SHEETS 8.0 THRU 8.3;  
 AT SILL: SHEETS 8.4 THRU 8.8;  
 AT JAMBS: SHEETS 8.9 THRU 8.12.

**ANCHOR CLUSTER NOTES:**

- A(8), B(8) & C(8) ANCHORS, TYPES A, B & C; (2) ROWS OF (2) EA. SIDE OF INTERLOCKS & STILES.
- B1(8) ANCHORS, TYPE B; SPACING AT 4" C/C; (2) ROWS OF (2) EA. SIDE OF INTERLOCKS & STILES.
- REFER TO SHEET 8.13 FOR ANCHOR CLUSTER LAYOUTS.

CHART 7.1.6 GLAZING LOAD CAPACITY, (PSF)					
NOMINAL PANEL WIDTH (INCHES)	DOOR FRAME HEIGHT (INCHES)	W/ NARROW INTERLOCK DETAIL 4/5.6			
		TYPE A		TYPE B	
		NEG.	POS.	NEG.	POS.
72	96	80.0	80.0	80.0	80.0
72	102	80.0	80.0	80.0	80.0
66	108	78.5	78.5	78.5	78.5
60	120	70.0	70.0	70.0	70.0

CHART 7.1.7 GLAZING LOAD CAPACITY, (PSF)					
NOMINAL PANEL WIDTH (INCHES)	DOOR FRAME HEIGHT (INCHES)	W/ CORNER DETAIL 1/5.13			
		TYPE A		TYPE B	
		NEG.	POS.	NEG.	POS.
72	84	90.0	90.0	90.0	90.0
66	96	90.0	90.0	90.0	90.0
60	108	90.0	90.0	90.0	90.0
60	120	65.0	65.0	65.0	65.0

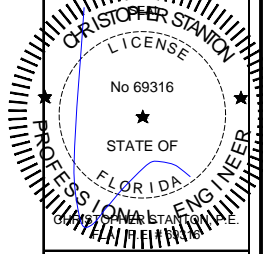
**SILL RISER NOTES:**

- REFER TO SHEET 8.13 FOR POSITIVE DESIGN PRESSURE LIMITATIONS BASED ON WATER TEST ASSOCIATED WITH ALTERNATE SILL RISER HEIGHTS.

REVISIONS:	NO.	DATE	DESCRIPTION
	1		
	2		
	3		
	4		

THIS DRAWING SET IS AN INSTRUMENT OF SERVICE AND IS THE PROPERTY OF STANTON ENGINEERING, INC. AND IS NOT TO BE REPRODUCED, IN PART, OR AS A WHOLE, WITHOUT THE EXPRESSED, WRITTEN PERMISSION OF STANTON ENGINEERING, INC.

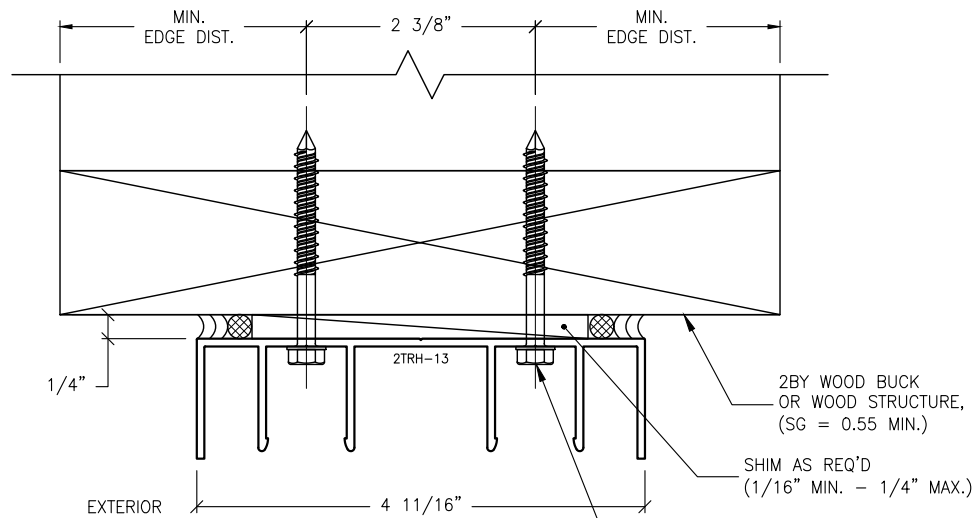
SHOP DRAWINGS ARE REVIEWED FOR STRUCTURAL DETAILS ONLY!



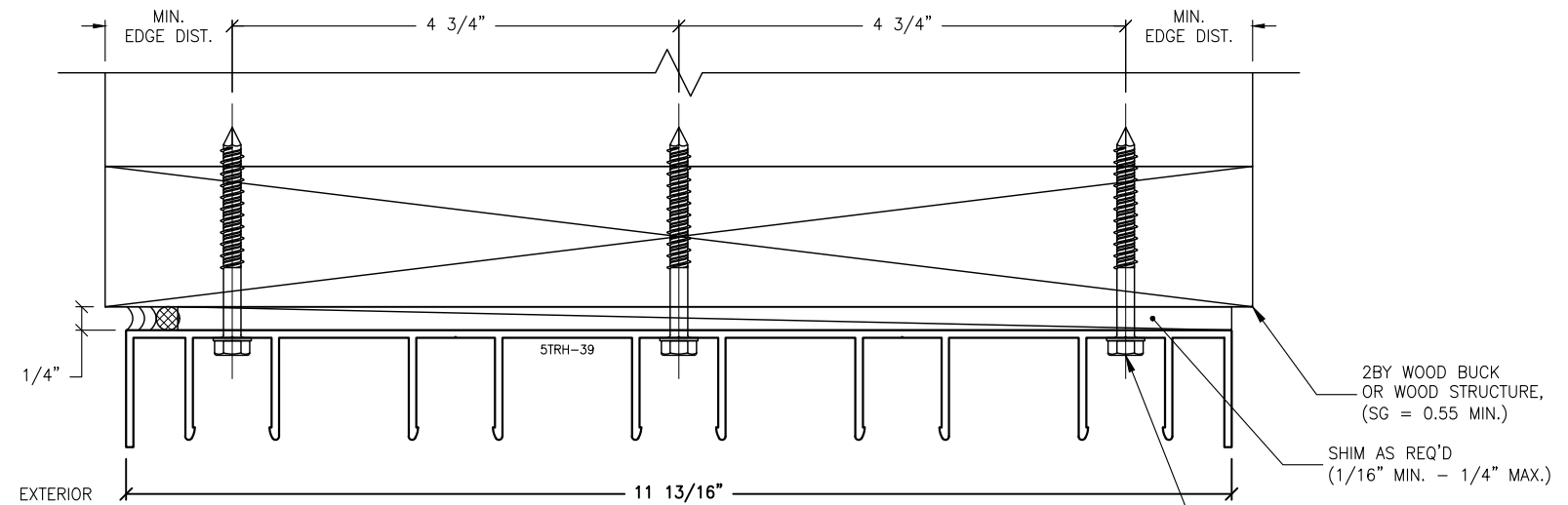
**STANTON ENGINEERING, INC.**  
**STRUCTURAL ENGINEERING SERVICES**  
 2701 NORTHWEST BOCA RATON BOULEVARD, SUITE 204  
 BOCA RATON, FLORIDA 33431  
 TEL: (561) 393-1003  
 FAX: (561) 393-1008

**PROJECT:** VELOCITY  
**OWNER:** VELOCITY  
**PROJECT APPROVAL:** FL# 31650.1  
**VELOCITY IMPACT PRODUCTS**  
 2200 AVENUE L, WEST PALM BEACH, FLORIDA, 33404  
 TEL: (561) 428-5740 NET: www.velocityimpactproducts.com

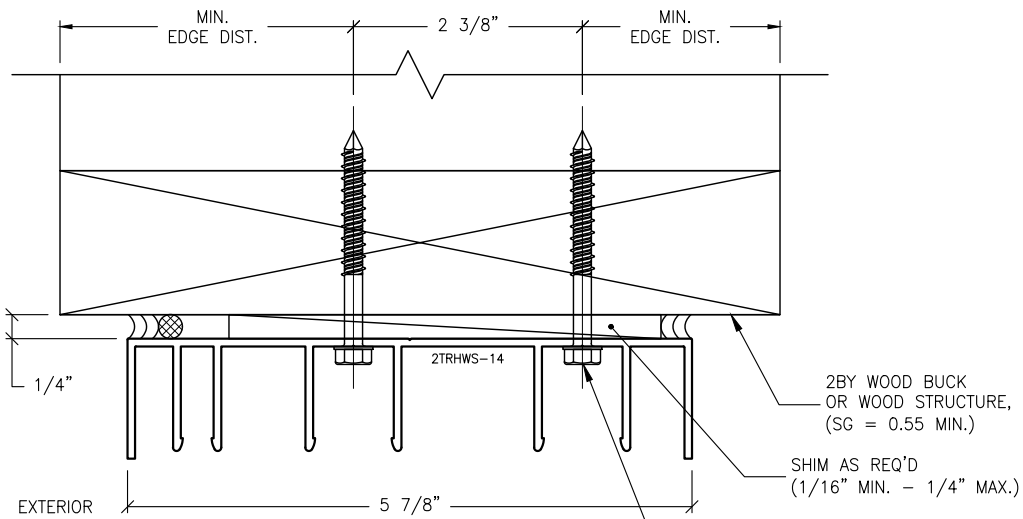
**SUBMIT DATE:** 01APR2019  
**DRAWN BY:** KJT  
**CHECKED BY:** CS  
**DESCRIPTION:** ANCHOR CHARTS  
**SCALE:** 3" = 1'-0" [1:4]  
**PLOT SIZE:** ANSI B (11" X 17")  
**SHEET NO.:** 7.1  
 24 of 42  
 JOB NO. 0000-00



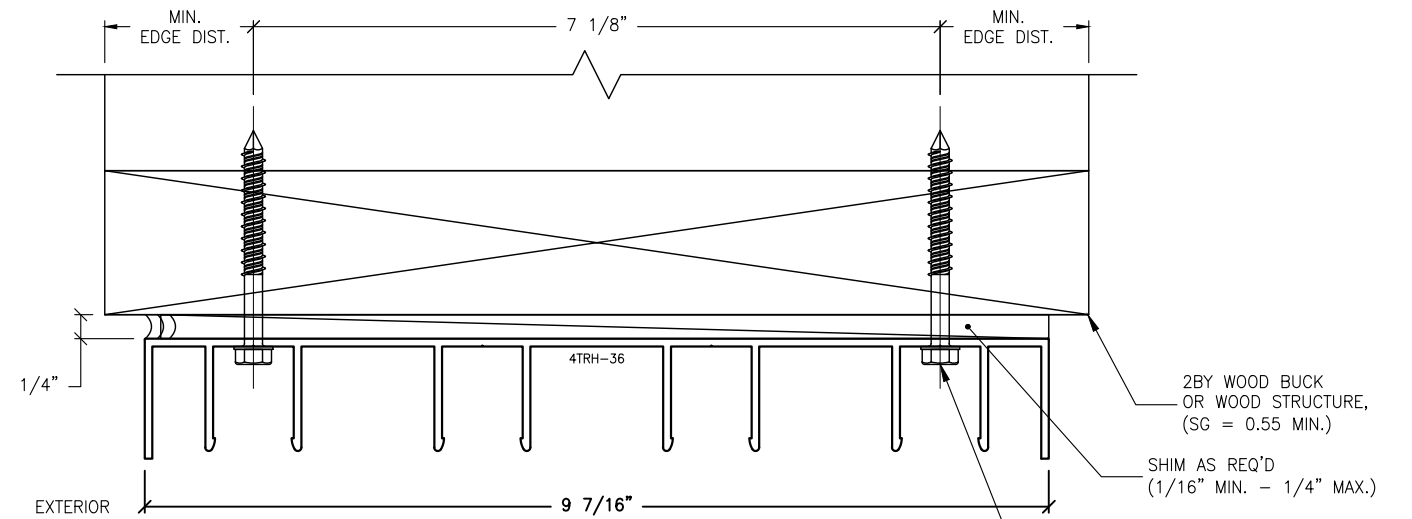
**H1.1 ANCHOR DETAIL**  
**8.0 TWO-TRACK HEADER**



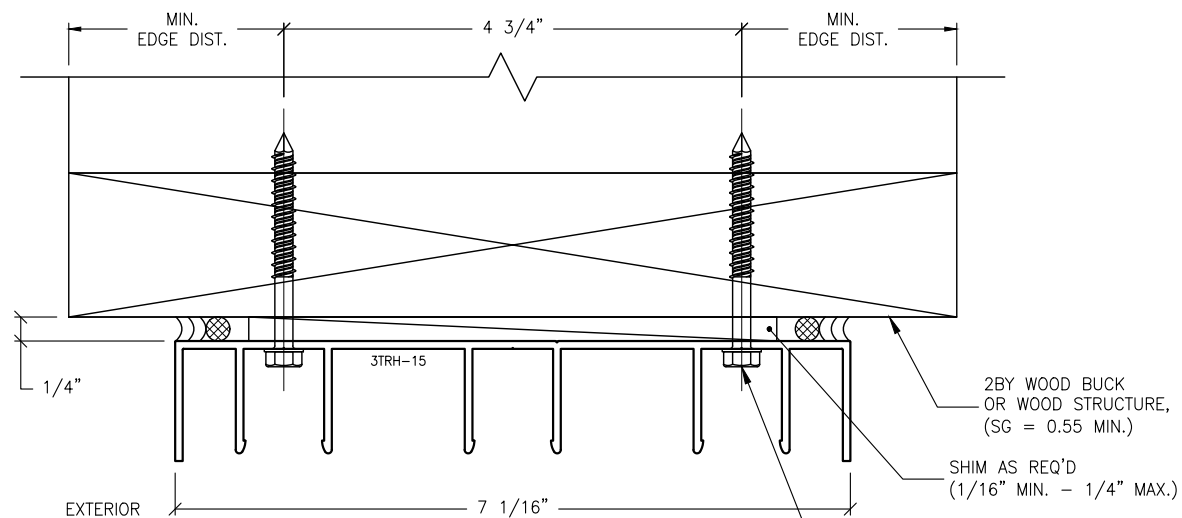
**H1.5 ANCHOR DETAIL**  
**8.0 FIVE-TRACK HEADER**



**H1.2 ANCHOR DETAIL**  
**8.0 TWO-TRACK W/ SCREEN HEADER**



**H1.4 ANCHOR DETAIL**  
**8.0 FOUR-TRACK HEADER**



**H1.3 ANCHOR DETAIL**  
**8.0 THREE-TRACK HEADER**

TYPICAL ANCHORS  
(REFER TO SECTION 7.0 FOR TYPICAL  
MINIMUM ANCHOR REQUIREMENTS &  
QUANTITIES; REFER TO SECTION 3.0  
FOR ANCHORING LOCATIONS.)

TYPICAL ANCHORS  
(REFER TO SECTION 7.0 FOR TYPICAL  
MINIMUM ANCHOR REQUIREMENTS &  
QUANTITIES; REFER TO SECTION 3.0  
FOR ANCHORING LOCATIONS.)

TYPICAL ANCHORS  
(REFER TO SECTION 7.0 FOR TYPICAL  
MINIMUM ANCHOR REQUIREMENTS &  
QUANTITIES; REFER TO SECTION 3.0  
FOR ANCHORING LOCATIONS.)

TYPICAL ANCHORS  
(REFER TO SECTION 7.0 FOR TYPICAL  
MINIMUM ANCHOR REQUIREMENTS &  
QUANTITIES; REFER TO SECTION 3.0  
FOR ANCHORING LOCATIONS.)

**ANCHORAGE NOTES:**

1. THESE INSTALLATIONS, AS SHOWN FOR ILLUSTRATIVE REFERENCES, WITH MECHANICAL ANCHORAGE, APPLIES TO EACH TRACK CONDITION FOR TWO-TRACK, TWO-TRACK WITH SCREEN, THREE-TRACK, FOUR-TRACK & FIVE-TRACK FRAME SYSTEMS.
2. THESE HEADER TRACKS SHALL BE INSTALLED ONTO ADEQUATELY PREPARED SUBSTRATES, DESIGNED TO WITHSTAND IMPOSED WIND LOADS REQUIREMENTS PER THE FLORIDA BUILDING CODE, (FBC) AND IS THE RESPONSIBILITY OF THE ENGINEER OF RECORD.

**IMPOSED LOADS NOTE:**

BUILDING STRUCTURES, NOT BY VELOCITY IMPACT PRODUCTS, MUST SUPPORT AND TRANSFER LOADS IMPOSED BY GLAZING SYSTEM TO THE BUILDING STRUCTURE.

**FINISH NOTES:**

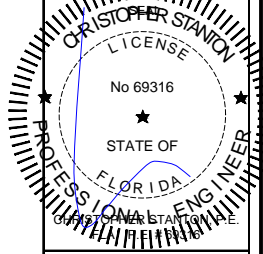
1. INTERIOR & EXTERIOR FINISHES, (BY OTHERS) ARE NOT SHOWN FOR CLARITY.
2. PERIMETER & JOINT SEALANTS, (BY OTHERS) TO BE RECOMMENDED IN ACCORDANCE PER ASTM E2112.
3. WATER-PROOFING (BY OTHERS).

**H1 MECHANICAL ANCHOR, TYPE A**  
**8.0 FOR TYPICAL HEADER**  
**INTO 2BY WOOD OR WOOD STRUCTURES**

REVISIONS:	NO.	DATE	DESCRIPTION
	1		
	2		
	3		
	4		

THIS DRAWING SET IS AN INSTRUMENT OF SERVICE AND IS THE PROPERTY OF STANTON ENGINEERING, INC., AND IS NOT TO BE REPRODUCED, IN PART, OR AS WHOLE, WITHOUT THE EXPRESSED, WRITTEN PERMISSION OF STANTON ENGINEERING, INC.

SHOP DRAWINGS ARE REVIEWED FOR STRUCTURAL DETAILS ONLY!

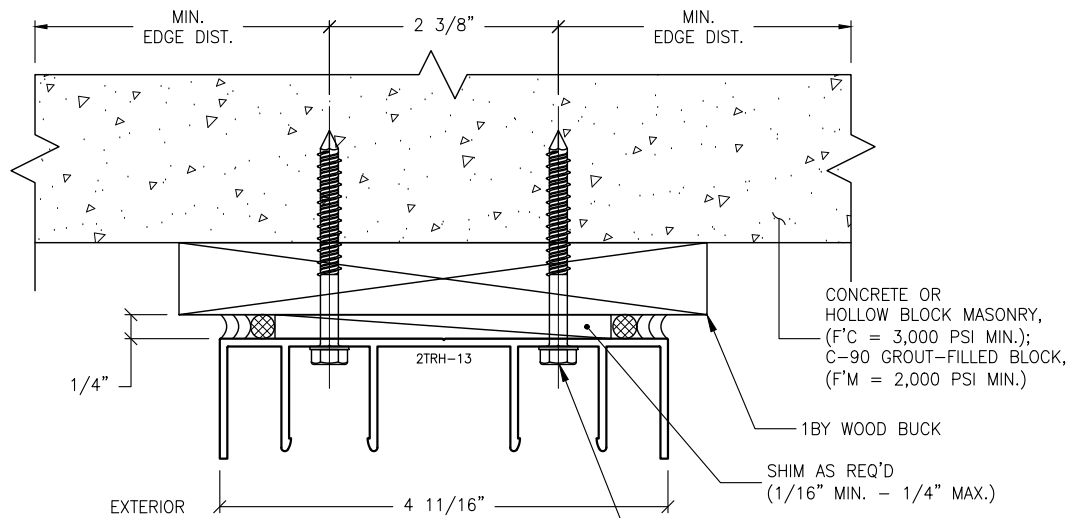


**STANTON ENGINEERING, INC.**  
STRUCTURAL ENGINEERING SERVICES  
2701 NORTHWEST BOCA RATON BOULEVARD, SUITE 204  
BOCA RATON, FLORIDA 33431  
TEL: (561) 393-1008  
FAX: (561) 393-1003

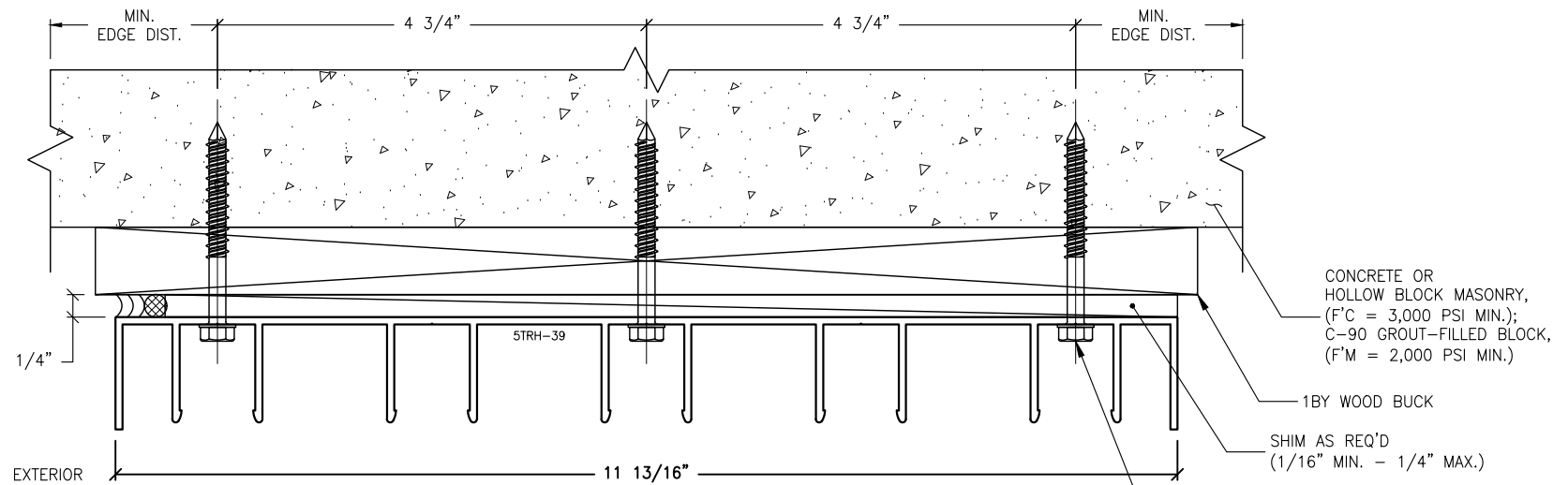
**PROJECT:** SLIDING GLASS DOOR SYSTEM  
**OWNER:** VELOCITY IMPACT PRODUCTS  
2200 AVENUE L, WEST PALM BEACH, FLORIDA, 33404  
TEL: (561) 428-5740 NET: www.velocityimpactproducts.com

SUBMIT DATE:	01APR2019
DRAWN BY:	KJT
CHECKED BY:	CS
DESCRIPTION	ANCHOR DETAILS
SCALE:	6" = 1'-0" [1:2]
PLOT SIZE:	ANSI B (11" X 17")
SHEET NO.	8.0
	25 of 42
	JOB NO. 0000-00

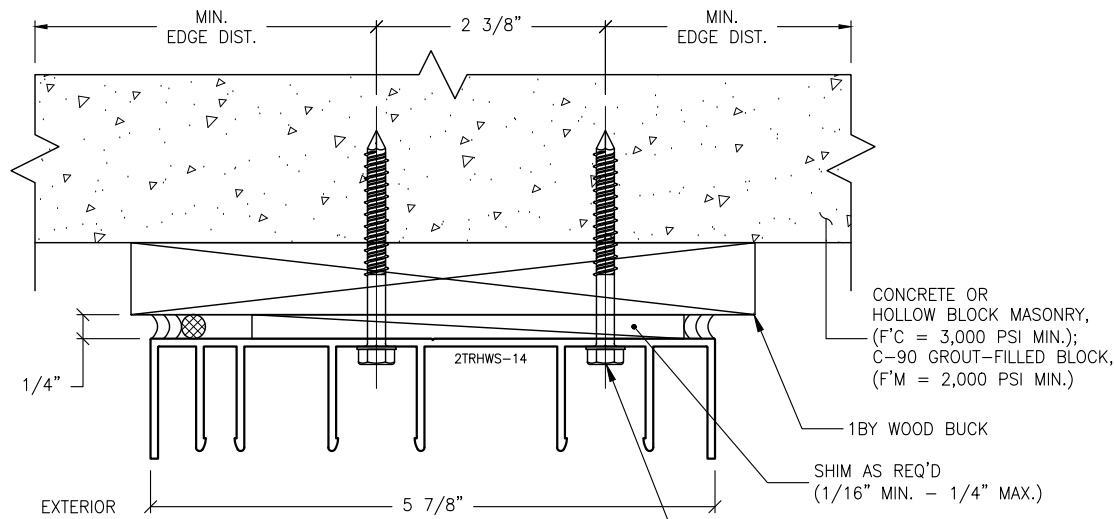




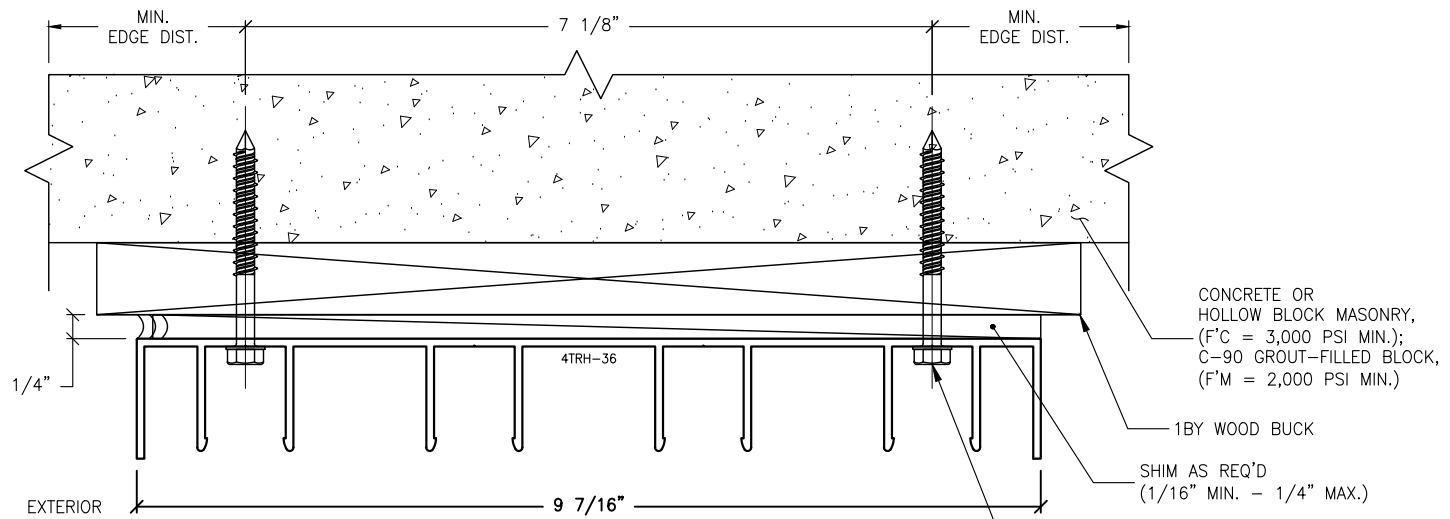
**H2.1 ANCHOR DETAIL**  
**8.1 TWO-TRACK HEADER**



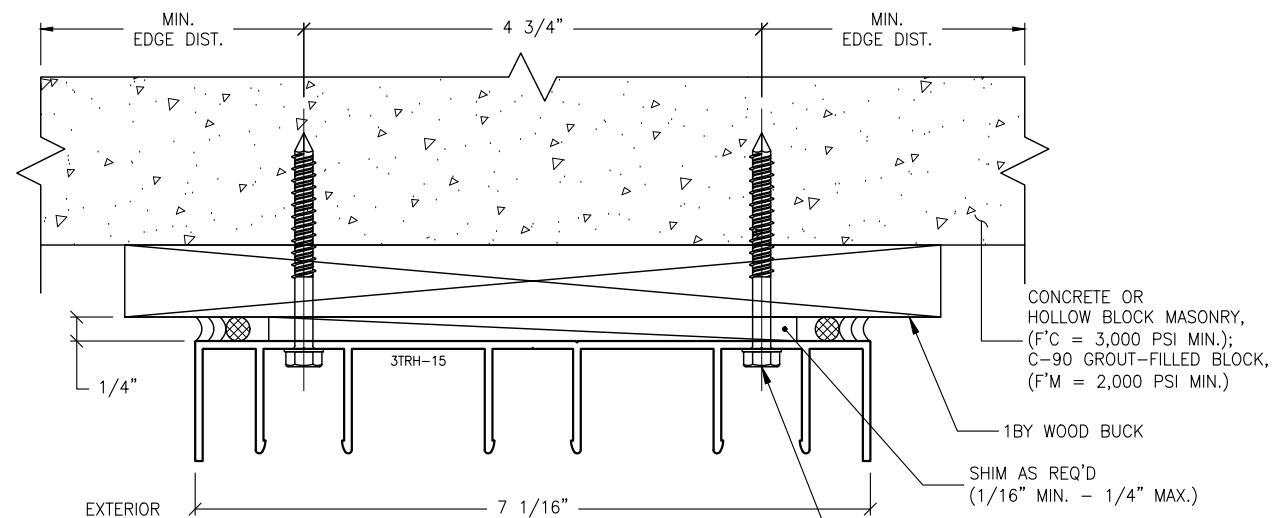
**H2.5 ANCHOR DETAIL**  
**8.1 FIVE-TRACK HEADER**



**H2.2 ANCHOR DETAIL**  
**8.1 TWO-TRACK W/ SCREEN HEADER**



**H2.4 ANCHOR DETAIL**  
**8.1 FOUR-TRACK HEADER**



**H2.3 ANCHOR DETAIL**  
**8.1 THREE-TRACK HEADER**

**ANCHORAGE NOTES:**

1. THESE INSTALLATIONS, AS SHOWN FOR ILLUSTRATIVE REFERENCES, WITH MECHANICAL ANCHORAGE, APPLIES TO EACH TRACK CONDITION FOR TWO-TRACK, TWO-TRACK WITH SCREEN, THREE-TRACK, FOUR-TRACK & FIVE-TRACK FRAME SYSTEMS.
2. THESE HEADER TRACKS SHALL BE INSTALLED ONTO ADEQUATELY PREPARED SUBSTRATES, DESIGNED TO WITHSTAND IMPOSED WIND LOADS REQUIREMENTS PER THE FLORIDA BUILDING CODE, (FBC) AND IS THE RESPONSIBILITY OF THE ENGINEER OF RECORD.

**IMPOSED LOADS NOTE:**

BUILDING STRUCTURES, NOT BY VELOCITY IMPACT PRODUCTS, MUST SUPPORT AND TRANSFER LOADS IMPOSED BY GLAZING SYSTEM TO THE BUILDING STRUCTURE.

**FINISH NOTES:**

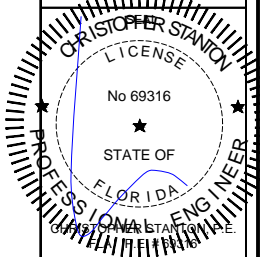
1. INTERIOR & EXTERIOR FINISHES, (BY OTHERS) ARE NOT SHOWN FOR CLARITY.
2. PERIMETER & JOINT SEALANTS, (BY OTHERS) TO BE RECOMMENDED IN ACCORDANCE PER ASTM E2112.
3. WATER-PROOFING (BY OTHERS).

**H2 MECHANICAL ANCHOR, TYPE A**  
**8.1 FOR TYPICAL HEADER**  
**THRU 1BY INTO BUILDING STRUCTURES**

REVISIONS:	NO.	DATE	DESCRIPTION
	1		
	2		
	3		
	4		

THIS DRAWING SET IS AN INSTRUMENT OF SERVICE AND IS THE PROPERTY OF STANTON ENGINEERING, INC. AND IS NOT TO BE REPRODUCED, IN PART, OR AS WHOLE, WITHOUT THE EXPRESSED, WRITTEN PERMISSION OF STANTON ENGINEERING, INC.

SHOP DRAWINGS ARE REVIEWED FOR STRUCTURAL DETAILS ONLY!



**STANTON ENGINEERING, INC.**  
**STRUCTURAL ENGINEERING SERVICES**

2701 NORTHWEST BOCA RATON BOULEVARD, SUITE 204  
BOCA RATON, FLORIDA 33431  
TEL: (561) 393-1008  
FAX: (561) 393-1003

**PROJECT:** SERIES SGD 1000  
**OWNER:** SLIDING GLASS DOOR SYSTEM  
PRODUCT APPROVAL FBC (2020): FL# 31650.1

**VELOCITY IMPACT PRODUCTS**  
2200 AVENUE L, WEST PALM BEACH, FLORIDA, 33404  
TEL: (561) 428-5740 NET: www.velocityimpactproducts.com

**SUBMIT DATE:** 01APR2019

**DRAWN BY:** KJT

**CHECKED BY:** CS

**DESCRIPTION**  
ANCHOR DETAILS

**SCALE:** 6" = 1'-0" (1:2)

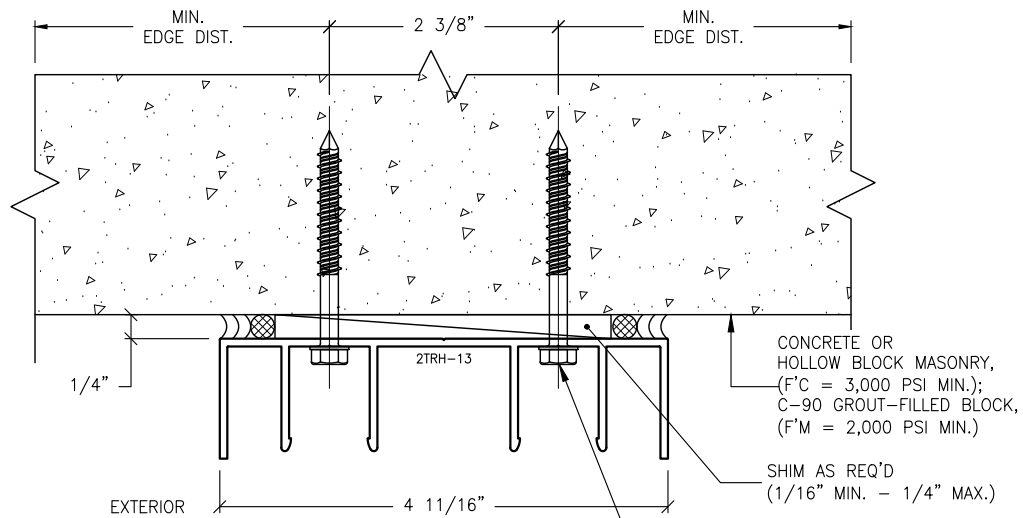
**PLOT SIZE:** ANSI B (11" X 17")

**SHEET NO.**

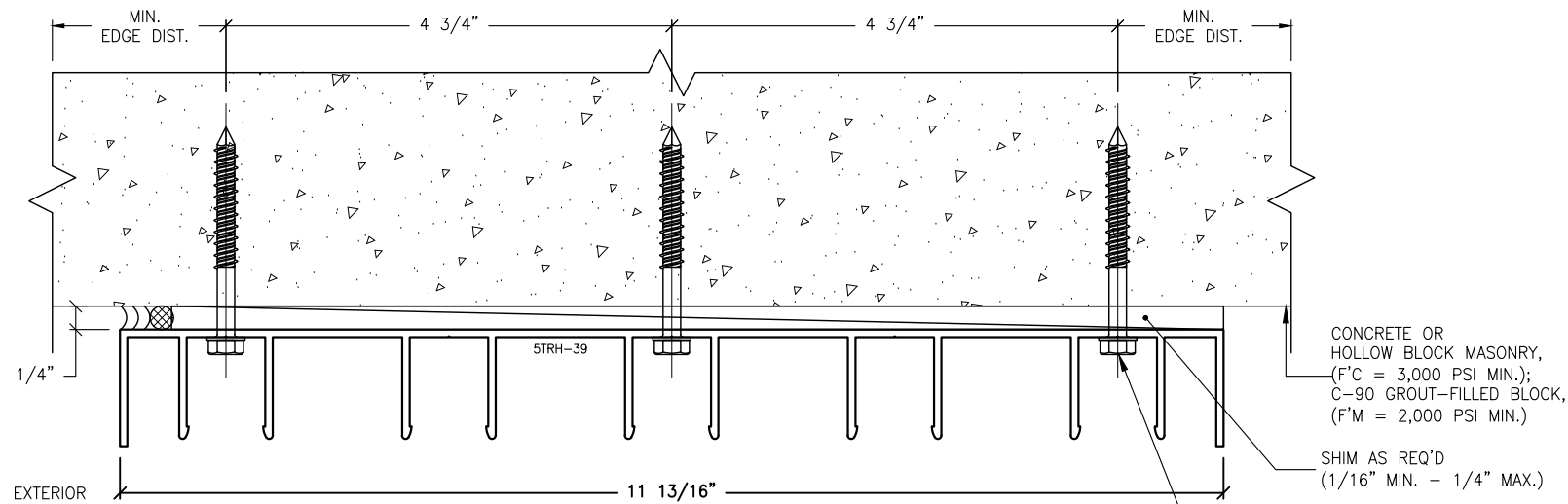
**8.1** 26 of 42

**JOB NO.** 0000-00

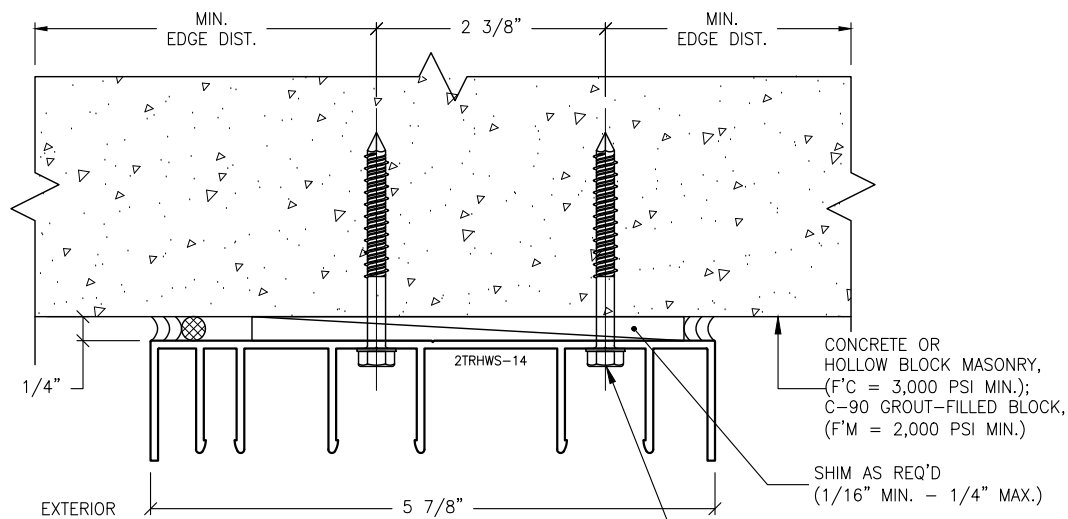




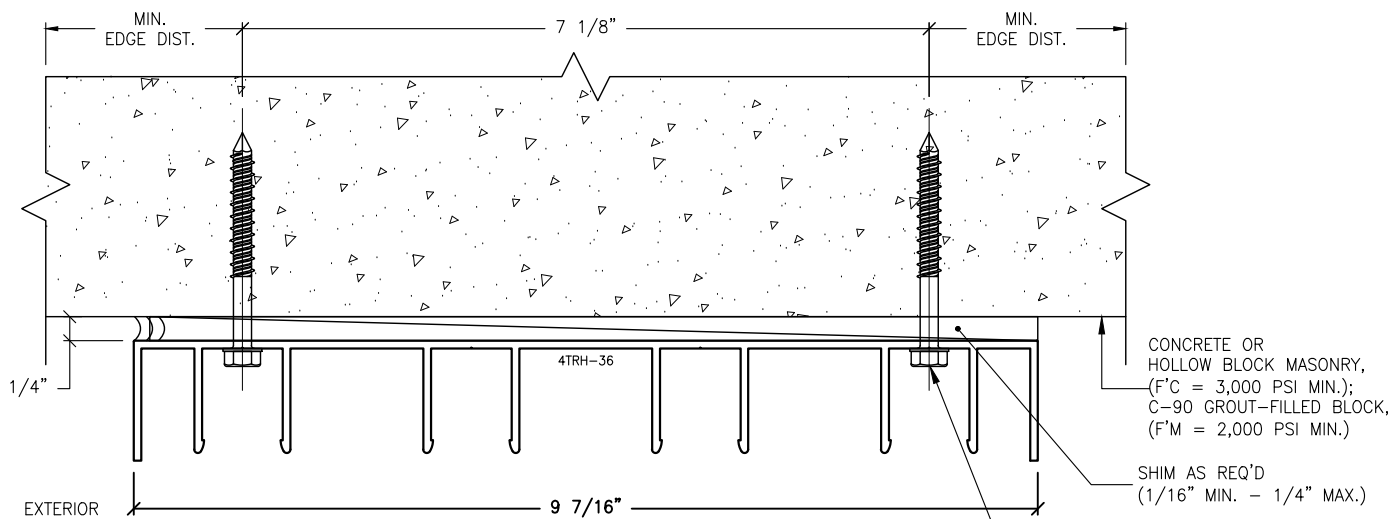
**H3.1 ANCHOR DETAIL**  
**8.2 TWO-TRACK HEADER**



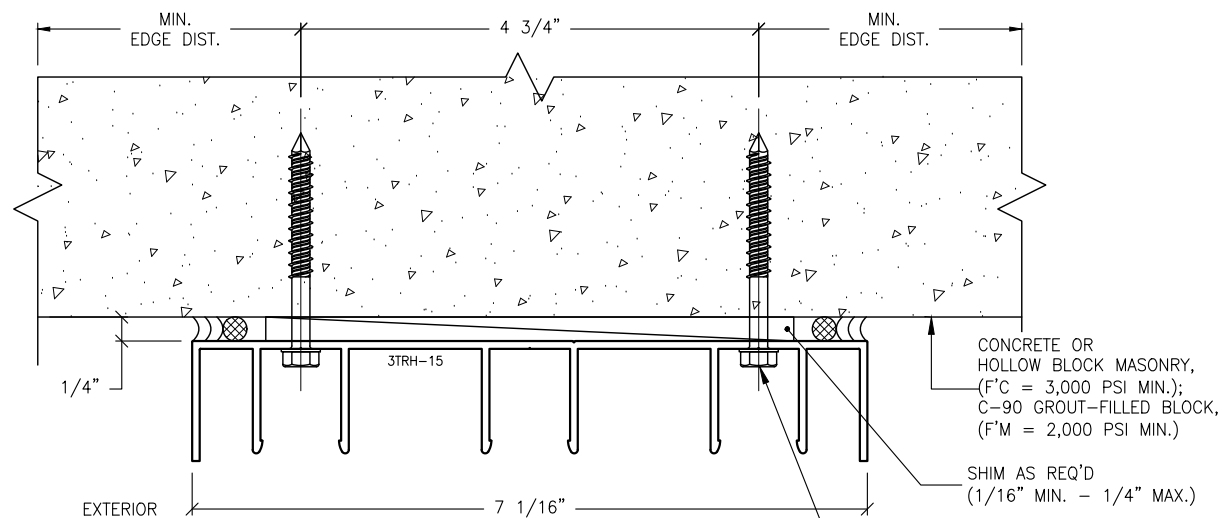
**H3.5 ANCHOR DETAIL**  
**8.2 FIVE-TRACK HEADER**



**H3.2 ANCHOR DETAIL**  
**8.2 TWO-TRACK W/ SCREEN HEADER**



**H3.4 ANCHOR DETAIL**  
**8.2 FOUR-TRACK HEADER**



**H3.3 ANCHOR DETAIL**  
**8.2 THREE-TRACK HEADER**

CONCRETE OR HOLLOW BLOCK MASONRY, (F'C = 3,000 PSI MIN.); C-90 GROUT-FILLED BLOCK, (F'M = 2,000 PSI MIN.)  
SHIM AS REQ'D (1/16" MIN. - 1/4" MAX.)  
TYPICAL ANCHORS (REFER TO SECTION 7.0 FOR TYPICAL MINIMUM ANCHOR REQUIREMENTS & QUANTITIES; REFER TO SECTION 3.0 FOR ANCHORING LOCATIONS.)

CONCRETE OR HOLLOW BLOCK MASONRY, (F'C = 3,000 PSI MIN.); C-90 GROUT-FILLED BLOCK, (F'M = 2,000 PSI MIN.)  
SHIM AS REQ'D (1/16" MIN. - 1/4" MAX.)  
TYPICAL ANCHORS (REFER TO SECTION 7.0 FOR TYPICAL MINIMUM ANCHOR REQUIREMENTS & QUANTITIES; REFER TO SECTION 3.0 FOR ANCHORING LOCATIONS.)

CONCRETE OR HOLLOW BLOCK MASONRY, (F'C = 3,000 PSI MIN.); C-90 GROUT-FILLED BLOCK, (F'M = 2,000 PSI MIN.)  
SHIM AS REQ'D (1/16" MIN. - 1/4" MAX.)  
TYPICAL ANCHORS (REFER TO SECTION 7.0 FOR TYPICAL MINIMUM ANCHOR REQUIREMENTS & QUANTITIES; REFER TO SECTION 3.0 FOR ANCHORING LOCATIONS.)

CONCRETE OR HOLLOW BLOCK MASONRY, (F'C = 3,000 PSI MIN.); C-90 GROUT-FILLED BLOCK, (F'M = 2,000 PSI MIN.)  
SHIM AS REQ'D (1/16" MIN. - 1/4" MAX.)  
TYPICAL ANCHORS (REFER TO SECTION 7.0 FOR TYPICAL MINIMUM ANCHOR REQUIREMENTS & QUANTITIES; REFER TO SECTION 3.0 FOR ANCHORING LOCATIONS.)

TYPICAL ANCHORS (REFER TO SECTION 7.0 FOR TYPICAL MINIMUM ANCHOR REQUIREMENTS & QUANTITIES; REFER TO SECTION 3.0 FOR ANCHORING LOCATIONS.)

TYPICAL ANCHORS (REFER TO SECTION 7.0 FOR TYPICAL MINIMUM ANCHOR REQUIREMENTS & QUANTITIES; REFER TO SECTION 3.0 FOR ANCHORING LOCATIONS.)

**ANCHORAGE NOTES:**

1. THESE INSTALLATIONS, AS SHOWN FOR ILLUSTRATIVE REFERENCES, WITH MECHANICAL ANCHORAGE, APPLIES TO EACH TRACK CONDITION FOR TWO-TRACK, TWO-TRACK WITH SCREEN, THREE-TRACK, FOUR-TRACK & FIVE-TRACK FRAME SYSTEMS.
2. THESE HEADER TRACKS SHALL BE INSTALLED ONTO ADEQUATELY PREPARED SUBSTRATES, DESIGNED TO WITHSTAND IMPOSED WIND LOADS REQUIREMENTS PER THE FLORIDA BUILDING CODE, (FBC) AND IS THE RESPONSIBILITY OF THE ENGINEER OF RECORD.

**IMPOSED LOADS NOTE:**

BUILDING STRUCTURES, NOT BY VELOCITY IMPACT PRODUCTS, MUST SUPPORT AND TRANSFER LOADS IMPOSED BY GLAZING SYSTEM TO THE BUILDING STRUCTURE.

**FINISH NOTES:**

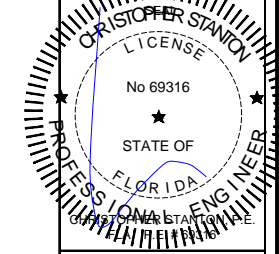
1. INTERIOR & EXTERIOR FINISHES, (BY OTHERS) ARE NOT SHOWN FOR CLARITY.
2. PERIMETER & JOINT SEALANTS, (BY OTHERS) TO BE RECOMMENDED IN ACCORDANCE PER ASTM E2112.
3. WATER-PROOFING (BY OTHERS).

**H3 MECHANICAL ANCHOR, TYPE B**  
**8.2 FOR TYPICAL HEADER INTO CONCRETE OR MASONRY STRUCTURES**

REVISIONS:	NO.	DATE	DESCRIPTION
	1		
	2		
	3		
	4		

THIS DRAWING SET IS AN INSTRUMENT OF SERVICE AND IS THE PROPERTY OF STANTON ENGINEERING, INC. AND IS NOT TO BE REPRODUCED, IN PART, OR AS WHOLE, WITHOUT THE EXPRESSED, WRITTEN PERMISSION OF STANTON ENGINEERING, INC.

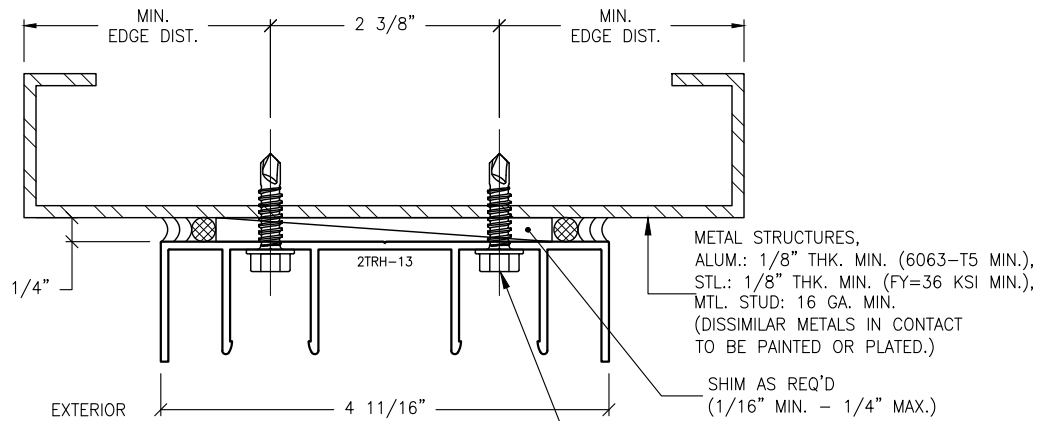
SHOP DRAWINGS ARE REVIEWED FOR STRUCTURAL DETAILS ONLY!



**STANTON ENGINEERING, INC.**  
STRUCTURAL ENGINEERING SERVICES  
2701 NORTHWEST BOCA RATON BOULEVARD, SUITE 204  
BOCA RATON, FLORIDA 33431  
TEL: (561) 393-1008  
FAX: (561) 393-1003

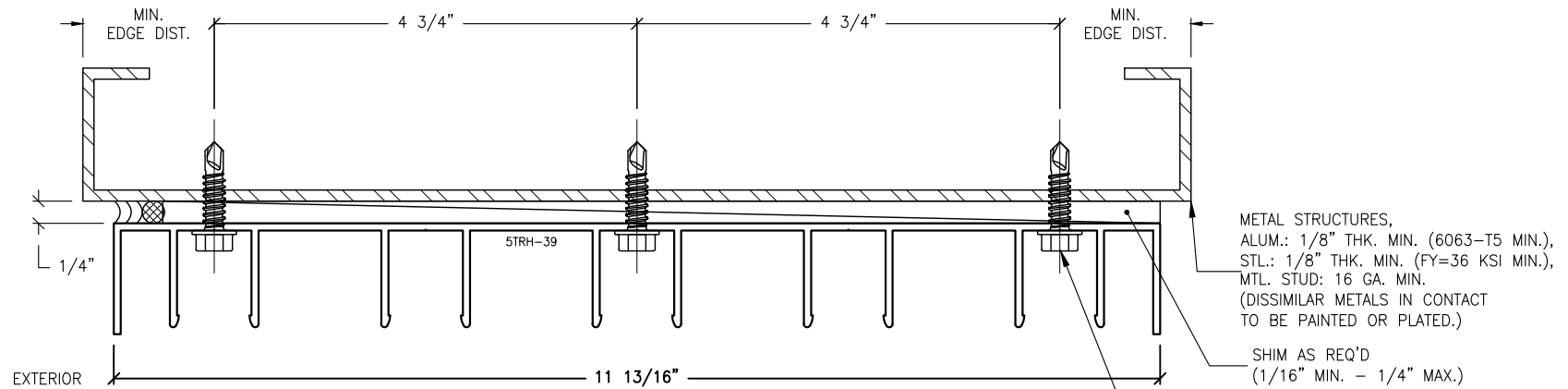
**PROJECT:** SERIES SGD 1000  
**OWNER:** SLIDING GLASS DOOR SYSTEM  
PRODUCT APPROVAL FBC (2020): FL# 31650.1  
**VELOCITY IMPACT PRODUCTS**  
2200 AVENUE L, WEST PALM BEACH, FLORIDA, 33404  
TEL: (561) 428-5740 NET: www.velocityimpactproducts.com

SUBMIT DATE:	01APR2019
DRAWN BY:	KJT
CHECKED BY:	CS
DESCRIPTION	ANCHOR DETAILS
SCALE:	6" = 1'-0" [1:2]
PLOT SIZE:	ANSI B (11" X 17")
SHEET NO.	8.2
	27 of 42
JOB NO.	0000-00



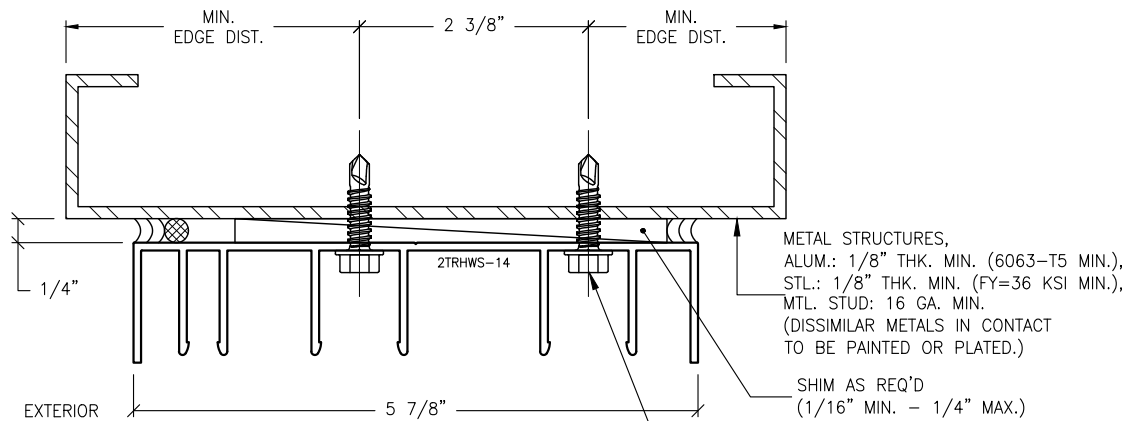
**H4.1 ANCHOR DETAIL**  
**8.3 TWO-TRACK HEADER**

TYPICAL ANCHORS  
(REFER TO SECTION 7.0 FOR TYPICAL MINIMUM ANCHOR REQUIREMENTS & QUANTITIES; REFER TO SECTION 3.0 FOR ANCHORING LOCATIONS.)



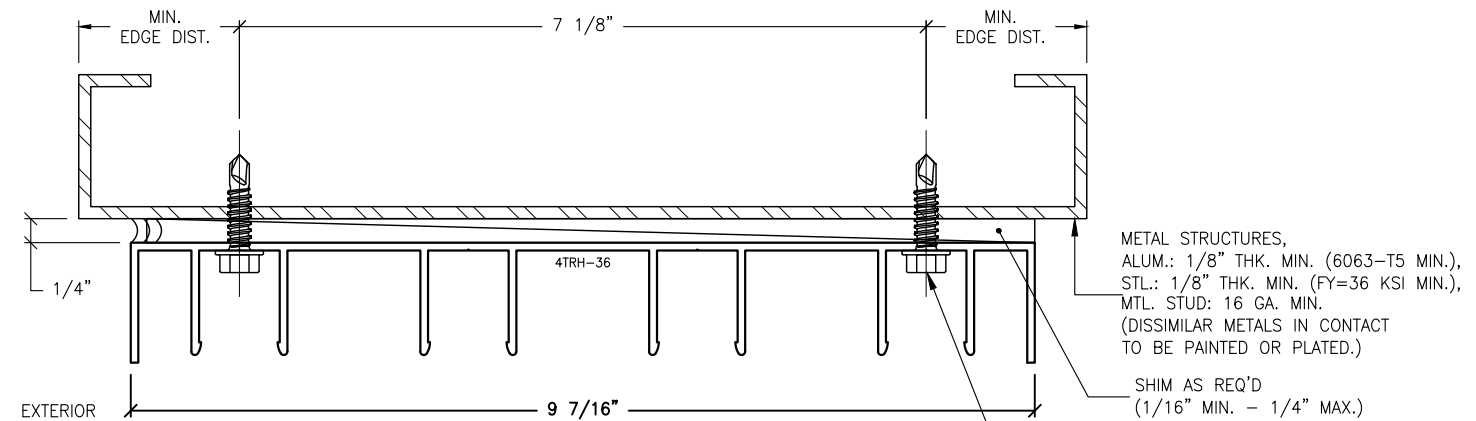
**H4.5 ANCHOR DETAIL**  
**8.3 FIVE-TRACK HEADER**

TYPICAL ANCHORS  
(REFER TO SECTION 7.0 FOR TYPICAL MINIMUM ANCHOR REQUIREMENTS & QUANTITIES; REFER TO SECTION 3.0 FOR ANCHORING LOCATIONS.)



**H4.2 ANCHOR DETAIL**  
**8.3 TWO-TRACK W/ SCREEN HEADER**

TYPICAL ANCHORS  
(REFER TO SECTION 7.0 FOR TYPICAL MINIMUM ANCHOR REQUIREMENTS & QUANTITIES; REFER TO SECTION 3.0 FOR ANCHORING LOCATIONS.)



**H4.4 ANCHOR DETAIL**  
**8.3 FOUR-TRACK HEADER**

TYPICAL ANCHORS  
(REFER TO SECTION 7.0 FOR TYPICAL MINIMUM ANCHOR REQUIREMENTS & QUANTITIES; REFER TO SECTION 3.0 FOR ANCHORING LOCATIONS.)

**ANCHORAGE NOTES:**

1. THESE INSTALLATIONS, AS SHOWN FOR ILLUSTRATIVE REFERENCES, WITH MECHANICAL ANCHORAGE, APPLIES TO EACH TRACK CONDITION FOR TWO-TRACK, TWO-TRACK WITH SCREEN, THREE-TRACK, FOUR-TRACK & FIVE-TRACK FRAME SYSTEMS.
2. THESE HEADER TRACKS SHALL BE INSTALLED ONTO ADEQUATELY PREPARED SUBSTRATES, DESIGNED TO WITHSTAND IMPOSED WIND LOADS REQUIREMENTS PER THE FLORIDA BUILDING CODE, (FBC) AND IS THE RESPONSIBILITY OF THE ENGINEER OF RECORD.

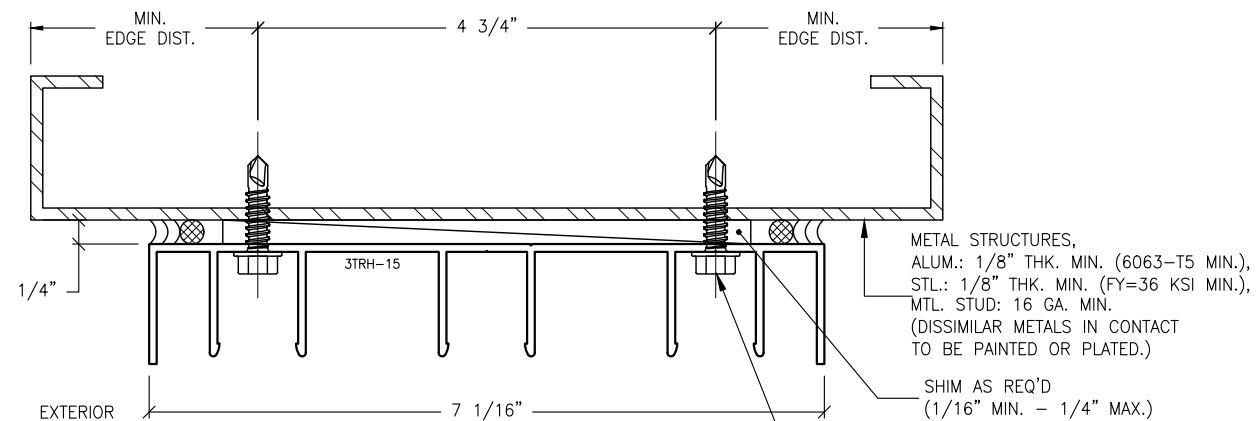
**IMPOSED LOADS NOTE:**

BUILDING STRUCTURES, NOT BY VELOCITY IMPACT PRODUCTS, MUST SUPPORT AND TRANSFER LOADS IMPOSED BY GLAZING SYSTEM TO THE BUILDING STRUCTURE.

**FINISH NOTES:**

1. INTERIOR & EXTERIOR FINISHES, (BY OTHERS) ARE NOT SHOWN FOR CLARITY.
2. PERIMETER & JOINT SEALANTS, (BY OTHERS) TO BE RECOMMENDED IN ACCORDANCE PER ASTM E2112.
3. WATER-PROOFING (BY OTHERS).

**H4 MECHANICAL ANCHOR, TYPE C**  
**8.3 FOR TYPICAL HEADER INTO METAL STRUCTURES**



**H4.3 ANCHOR DETAIL**  
**8.3 THREE-TRACK HEADER**

TYPICAL ANCHORS  
(REFER TO SECTION 7.0 FOR TYPICAL MINIMUM ANCHOR REQUIREMENTS & QUANTITIES; REFER TO SECTION 3.0 FOR ANCHORING LOCATIONS.)

REVISIONS:	NO.	DATE	DESCRIPTION
	1		
	2		
	3		
	4		

THIS DRAWING SET IS AN INSTRUMENT OF SERVICE AND IS THE PROPERTY OF STANTON ENGINEERING, INC. AND IS NOT TO BE REPRODUCED, IN PART, OR AS WHOLE, WITHOUT THE EXPRESSED, WRITTEN PERMISSION OF STANTON ENGINEERING, INC.

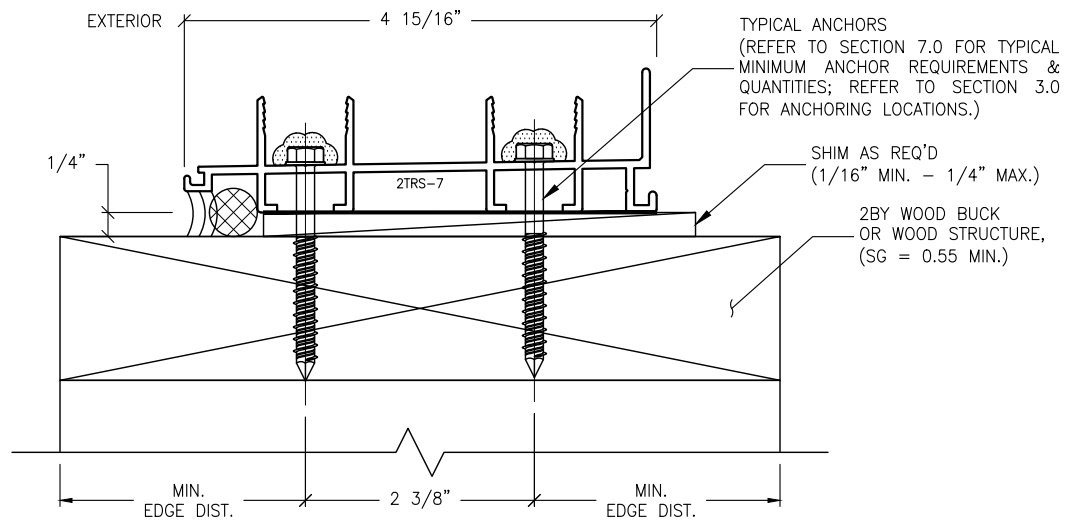
SHOP DRAWINGS ARE REVIEWED FOR STRUCTURAL DETAILS ONLY!

**CRISTOPHER STANTON**  
LICENSE  
No 69316  
STATE OF FLORIDA  
PROFESSIONAL ENGINEER

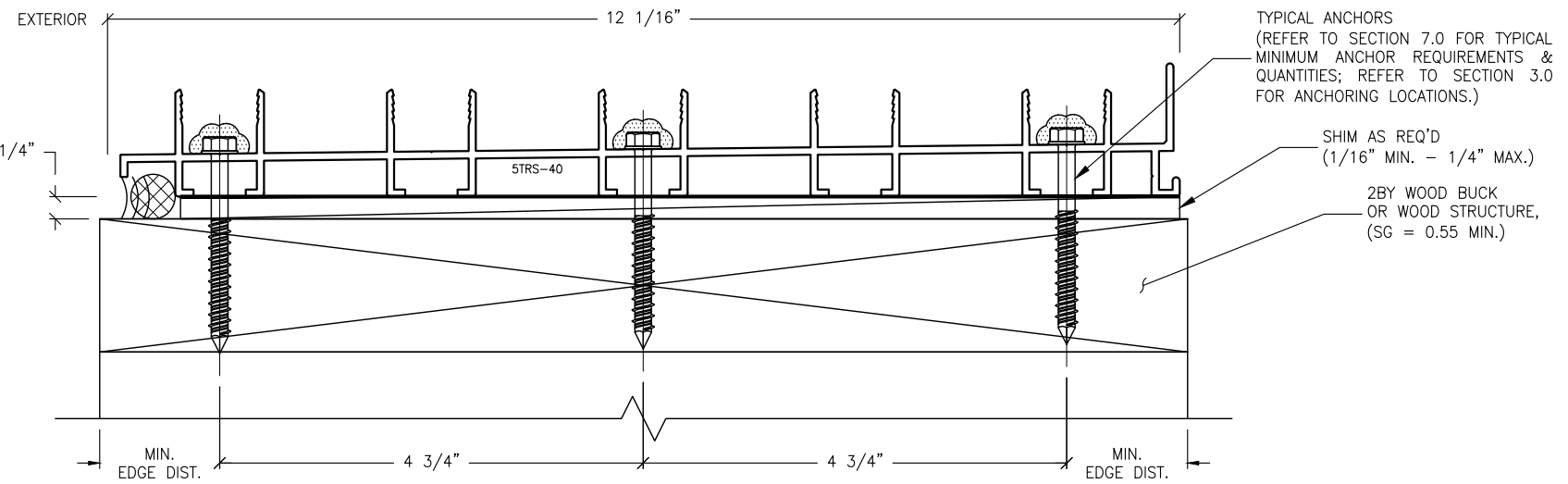
**STANTON ENGINEERING, INC.**  
STRUCTURAL ENGINEERING SERVICES  
2701 NORTHWEST BOCA RATON BOULEVARD, SUITE 204  
BOCA RATON, FLORIDA 33431  
TEL: (561) 393-1008  
FAX: (561) 393-1003

PROJECT: **SGD 1000**  
OWNER: **VELOCITY IMPACT PRODUCTS**  
SLIDING GLASS DOOR SYSTEM  
PRODUCT APPROVAL FBC (2020): FL# 31650.1  
2200 AVENUE L, WEST PALM BEACH, FLORIDA, 33404  
TEL: (561) 4285740 NET: www.velocityimpactproducts.com

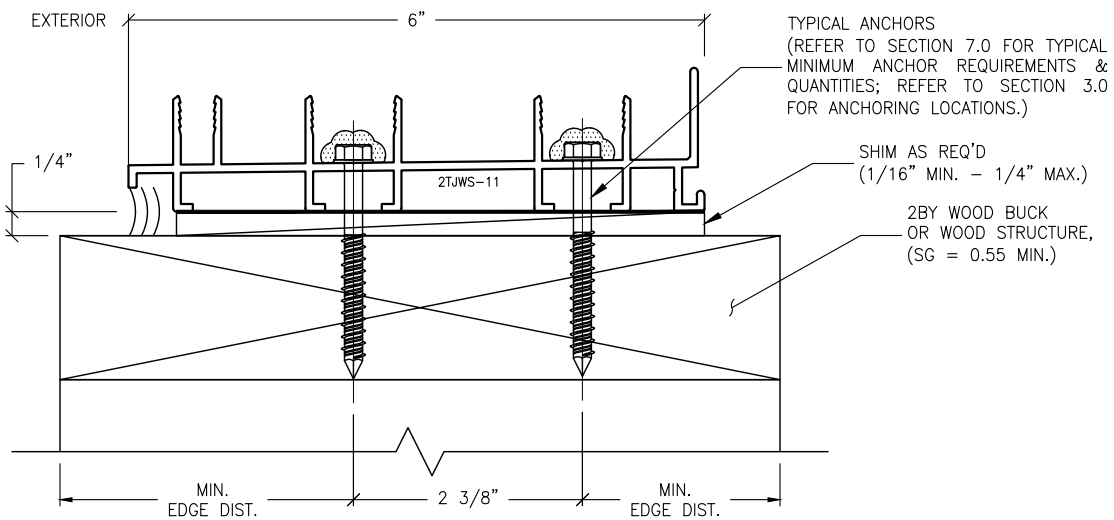
SUBMIT DATE: 01APR2019  
DRAWN BY: KJT  
CHECKED BY: CS  
DESCRIPTION: ANCHOR DETAILS  
SCALE: 6" = 1'-0" [1:2]  
PLOT SIZE: ANSI B (11" X 17")  
SHEET NO. **8.3** 28 of 42  
JOB NO. 0000-00



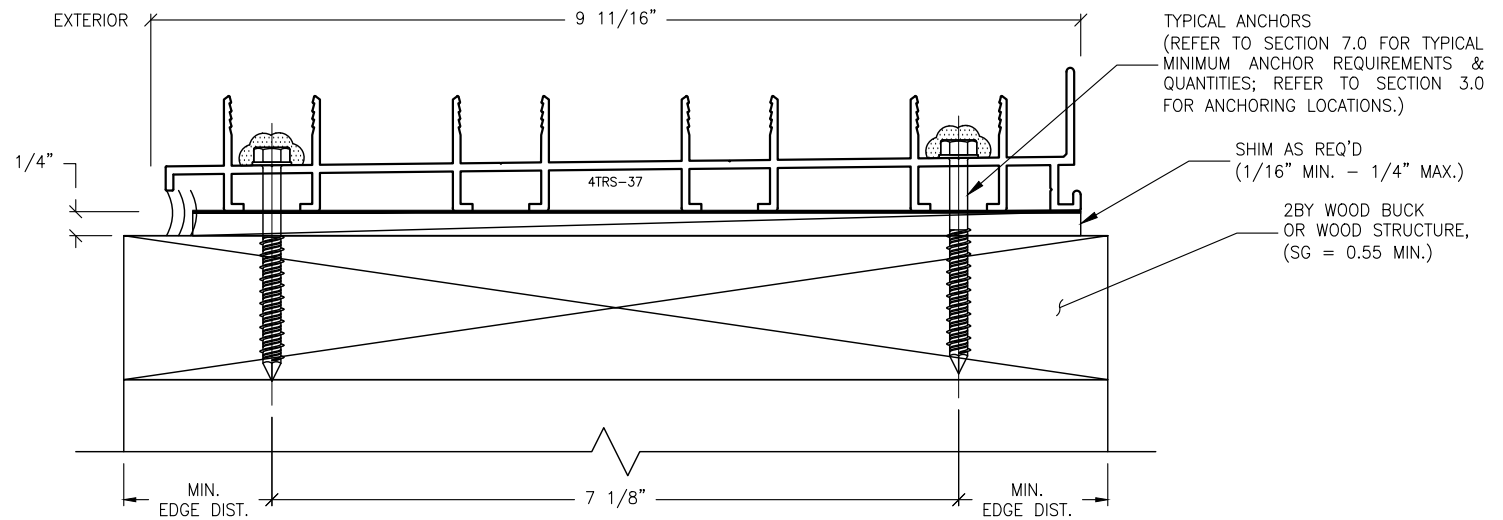
**S1.1 ANCHOR DETAIL**  
**8.4 TWO-TRACK SILL**



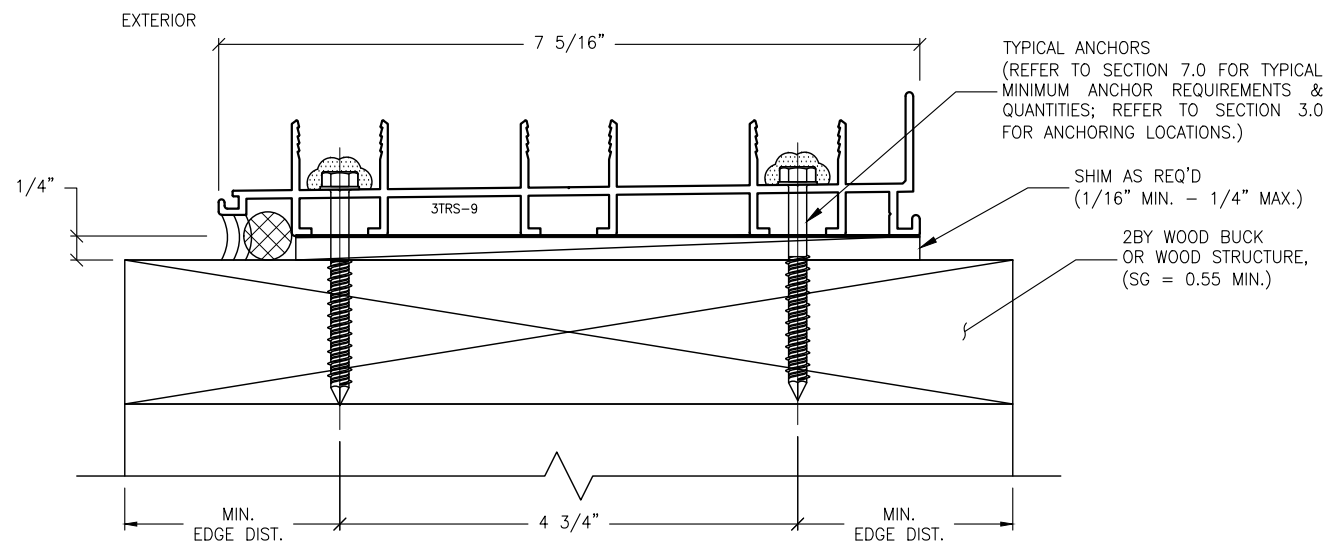
**S1.5 ANCHOR DETAIL**  
**8.4 FIVE-TRACK SILL**



**S1.2 ANCHOR DETAIL**  
**8.4 TWO-TRACK W/ SCREEN SILL**



**S1.4 ANCHOR DETAIL**  
**8.4 FOUR-TRACK SILL**



**S1.3 ANCHOR DETAIL**  
**8.4 THREE-TRACK SILL**

**ANCHORAGE NOTES:**

1. THESE INSTALLATIONS, AS SHOWN FOR ILLUSTRATIVE REFERENCES, WITH MECHANICAL ANCHORAGE, APPLIES TO EACH TRACK CONDITION FOR TWO-TRACK, TWO-TRACK WITH SCREEN, THREE-TRACK, FOUR-TRACK & FIVE-TRACK FRAME SYSTEMS.
2. SILL THRESHOLD TRACKS SHALL BE INSTALLED ONTO ADEQUATELY PREPARED SUBSTRATES, DESIGNED TO WITHSTAND IMPOSED WIND LOADS REQUIREMENTS PER THE FLORIDA BUILDING CODE, (FBC) AND IS THE RESPONSIBILITY OF THE ENGINEER OF RECORD.

**IMPOSED LOADS NOTE:**

BUILDING STRUCTURES, NOT BY VELOCITY IMPACT PRODUCTS, MUST SUPPORT AND TRANSFER LOADS IMPOSED BY GLAZING SYSTEM TO THE BUILDING STRUCTURE.

**FINISH NOTES:**

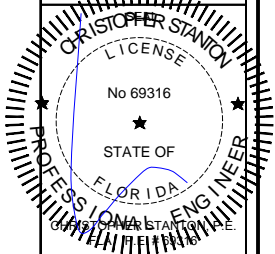
1. INTERIOR & EXTERIOR FINISHES, (BY OTHERS) ARE NOT SHOWN FOR CLARITY.
2. PERIMETER & JOINT SEALANTS, (BY OTHERS) TO BE RECOMMENDED IN ACCORDANCE PER ASTM E2112.
3. WATER-PROOFING (BY OTHERS).

**S1 MECHANICAL ANCHOR, TYPE A**  
**8.4 FOR TYPICAL SILL INTO 2BY WOOD OR WOOD STRUCTURES**

REVISIONS:	NO.	DATE	DESCRIPTION
	1		
	2		
	3		
	4		

THIS DRAWING SET IS AN INSTRUMENT OF SERVICE AND IS THE PROPERTY OF STANTON ENGINEERING, INC. AND IS NOT TO BE REPRODUCED, IN PART, OR AS A WHOLE, WITHOUT THE EXPRESSED, WRITTEN PERMISSION OF STANTON ENGINEERING, INC.

SHOP DRAWINGS ARE REVIEWED FOR STRUCTURAL DETAILS ONLY!



**STANTON ENGINEERING, INC.**  
**STRUCTURAL ENGINEERING SERVICES**

2701 NORTHWEST BOCA RATON BOULEVARD, SUITE 204  
BOCA RATON, FLORIDA 33431  
TEL: (661) 393-1008  
FAX: (661) 393-1003

**PROJECT:** SLIDING GLASS DOOR SYSTEM  
**OWNER:** VELOCITY IMPACT PRODUCTS  
PRODUCT APPROVAL FBC (2020): FL# 31650.1  
2200 AVENUE L, WEST PALM BEACH, FLORIDA, 33404  
TEL: (661) 428-5740 NET: www.velocityimpactproducts.com

**SUBMIT DATE:** 01APR2019

**DRAWN BY:** KJT

**CHECKED BY:** CS

**DESCRIPTION**  
ANCHOR DETAILS

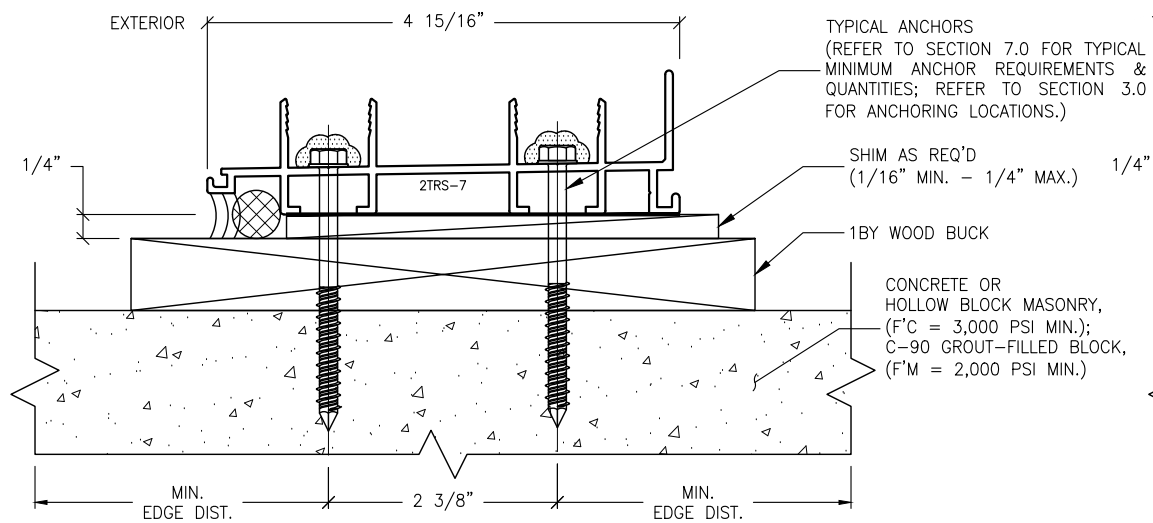
**SCALE:** 6" = 1'-0" [1:2]

**PLOT SIZE:** ANSI B (11" X 17")

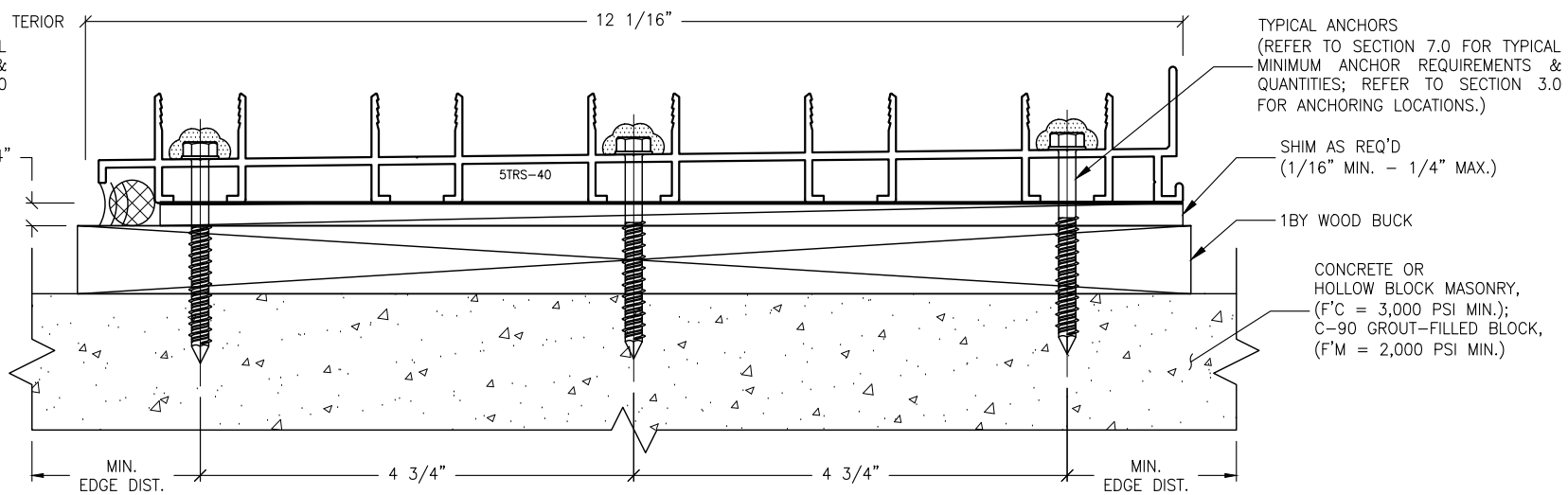
**SHEET NO.**

**8.4** 29 of 42

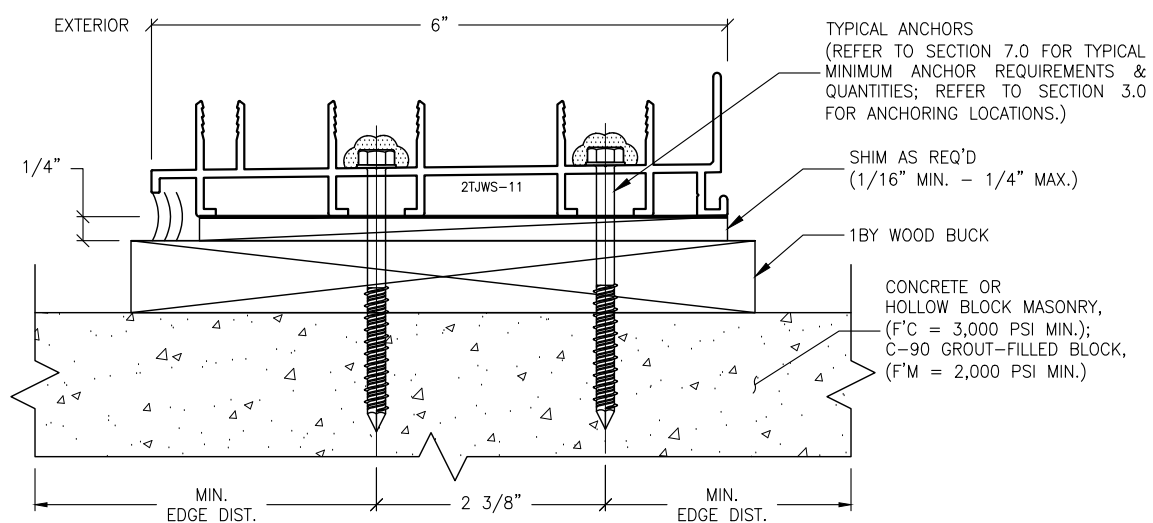
**JOB NO.** 0000-00



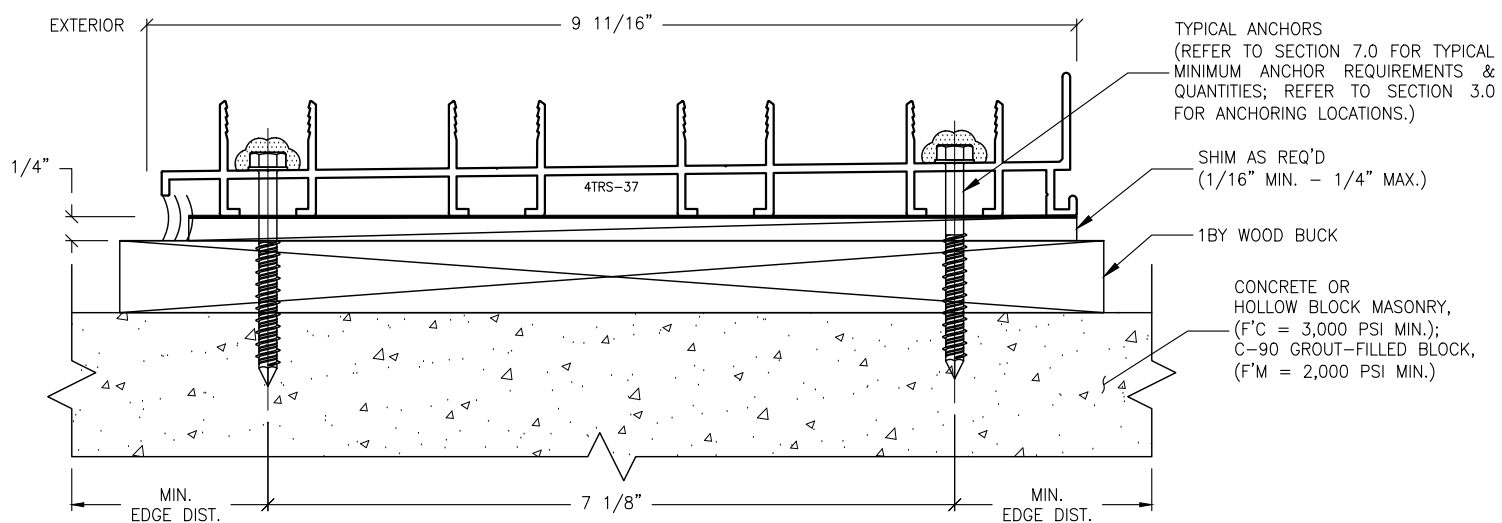
**S2.1 ANCHOR DETAIL**  
**8.5 TWO-TRACK SILL**



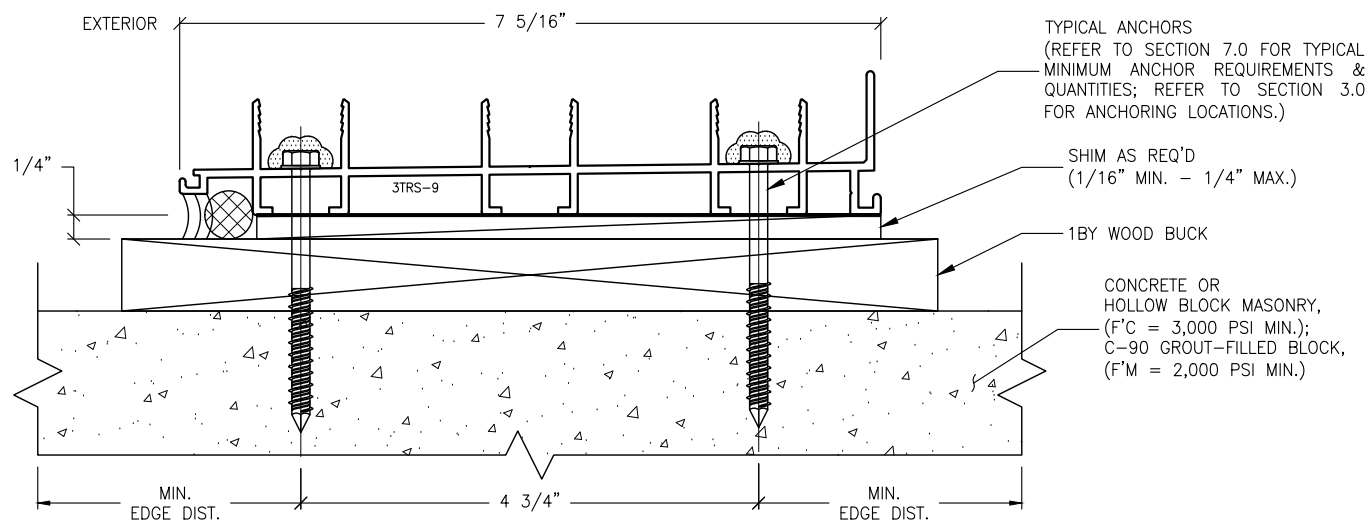
**S2.5 ANCHOR DETAIL**  
**8.5 FIVE-TRACK SILL**



**S2.2 ANCHOR DETAIL**  
**8.5 TWO-TRACK W/ SCREEN SILL**



**S2.4 ANCHOR DETAIL**  
**8.5 FOUR-TRACK SILL**



**S2.3 ANCHOR DETAIL**  
**8.5 THREE-TRACK SILL**

**ANCHORAGE NOTES:**

1. THESE INSTALLATIONS, AS SHOWN FOR ILLUSTRATIVE REFERENCES, WITH MECHANICAL ANCHORAGE, APPLIES TO EACH TRACK CONDITION FOR TWO-TRACK, TWO-TRACK WITH SCREEN, THREE-TRACK, FOUR-TRACK & FIVE-TRACK FRAME SYSTEMS.
2. SILL THRESHOLD TRACKS SHALL BE INSTALLED ONTO ADEQUATELY PREPARED SUBSTRATES, DESIGNED TO WITHSTAND IMPOSED WIND LOADS REQUIREMENTS PER THE FLORIDA BUILDING CODE, (FBC) AND IS THE RESPONSIBILITY OF THE ENGINEER OF RECORD.

**IMPOSED LOADS NOTE:**

BUILDING STRUCTURES, NOT BY VELOCITY IMPACT PRODUCTS, MUST SUPPORT AND TRANSFER LOADS IMPOSED BY GLAZING SYSTEM TO THE BUILDING STRUCTURE.

**FINISH NOTES:**

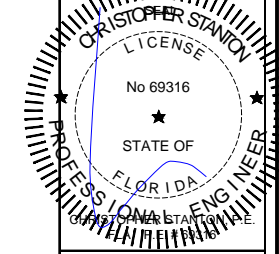
1. INTERIOR & EXTERIOR FINISHES, (BY OTHERS) ARE NOT SHOWN FOR CLARITY.
2. PERIMETER & JOINT SEALANTS, (BY OTHERS) TO BE RECOMMENDED IN ACCORDANCE PER ASTM E2112.
3. WATER-PROOFING (BY OTHERS).

**S2 MECHANICAL ANCHOR, TYPE A**  
**8.5 FOR TYPICAL SILL**  
**THRU 1BY INTO BUILDING STRUCTURES**

REVISIONS:	NO.	DATE	DESCRIPTION
	1		
	2		
	3		
	4		

THIS DRAWING SET IS AN INSTRUMENT OF SERVICE AND IS THE PROPERTY OF STANTON ENGINEERING, INC. AND IS NOT TO BE REPRODUCED, IN PART, OR AS A WHOLE, WITHOUT THE EXPRESSED, WRITTEN PERMISSION OF STANTON ENGINEERING, INC.

SHOP DRAWINGS ARE REVIEWED FOR STRUCTURAL DETAILS ONLY!

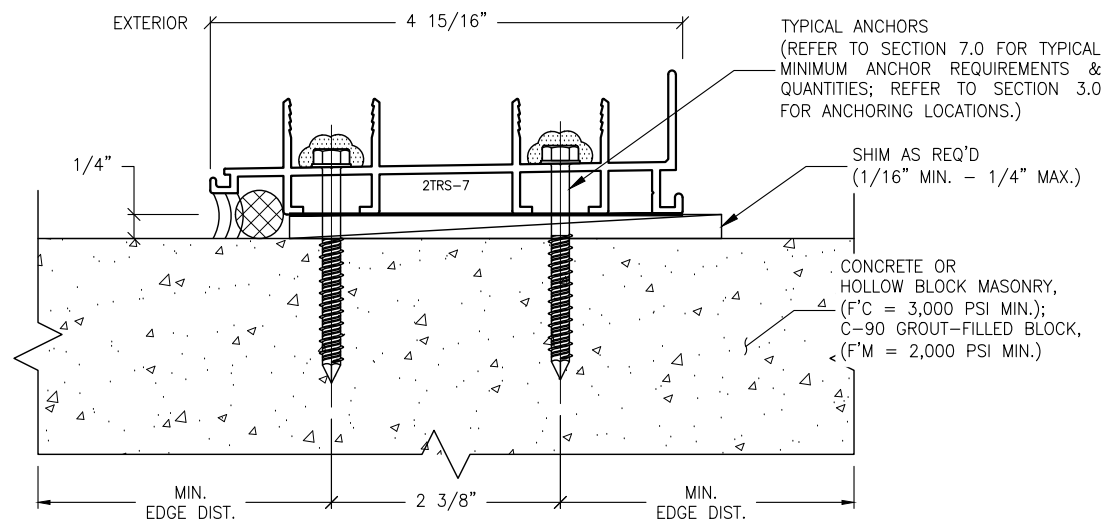


**STANTON ENGINEERING, INC.**  
**STRUCTURAL ENGINEERING SERVICES**  
2701 NORTHWEST BOCA RATON BOULEVARD, SUITE 204  
BOCA RATON, FLORIDA 33431  
TEL: (561) 395-1008  
FAX: (561) 395-1003

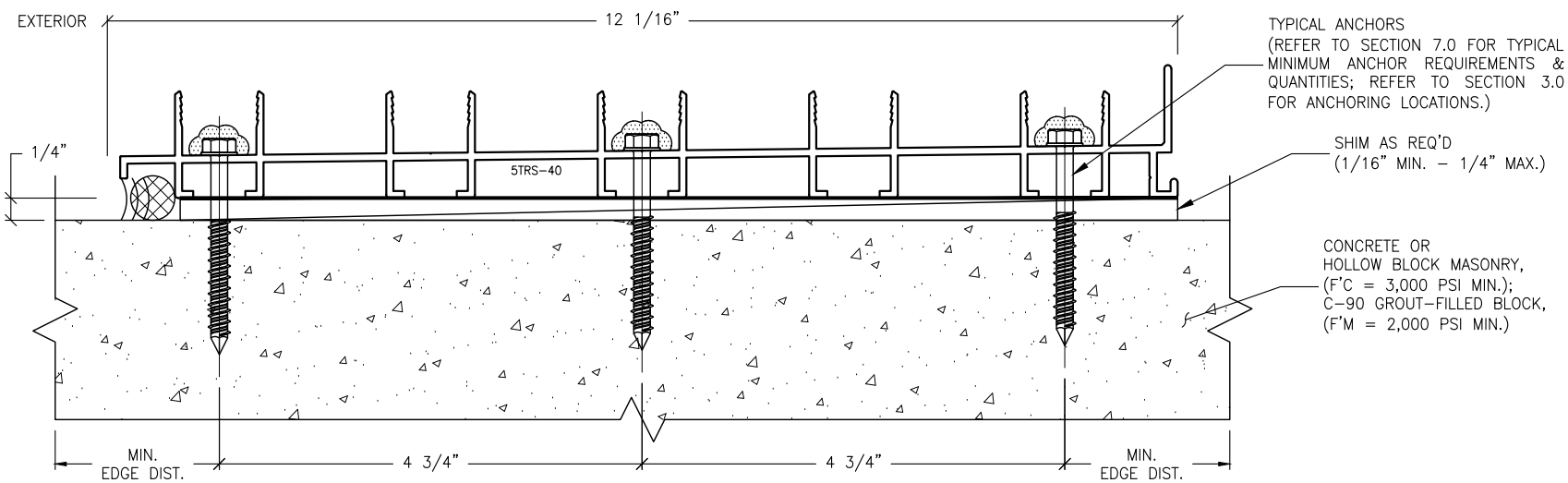
**PROJECT:** SLIDING GLASS DOOR SYSTEM  
**OWNER:** VELOCITY IMPACT PRODUCTS  
2200 AVENUE L, WEST PALM BEACH, FLORIDA, 33404  
PRODUCT APPROVAL FBC (2020): FL# 31650.1  
TEL: (561) 4255740 NET: www.velocityimpactproducts.com

SUBMIT DATE:	01APR2019
DRAWN BY:	KJT
CHECKED BY:	CS
DESCRIPTION	ANCHOR DETAILS
SCALE:	6" = 1'-0" (1:2)
PLOT SIZE:	ANSI B (11" X 17")
SHEET NO.	8.5
	30 of 42
	JOB NO. 0000-00

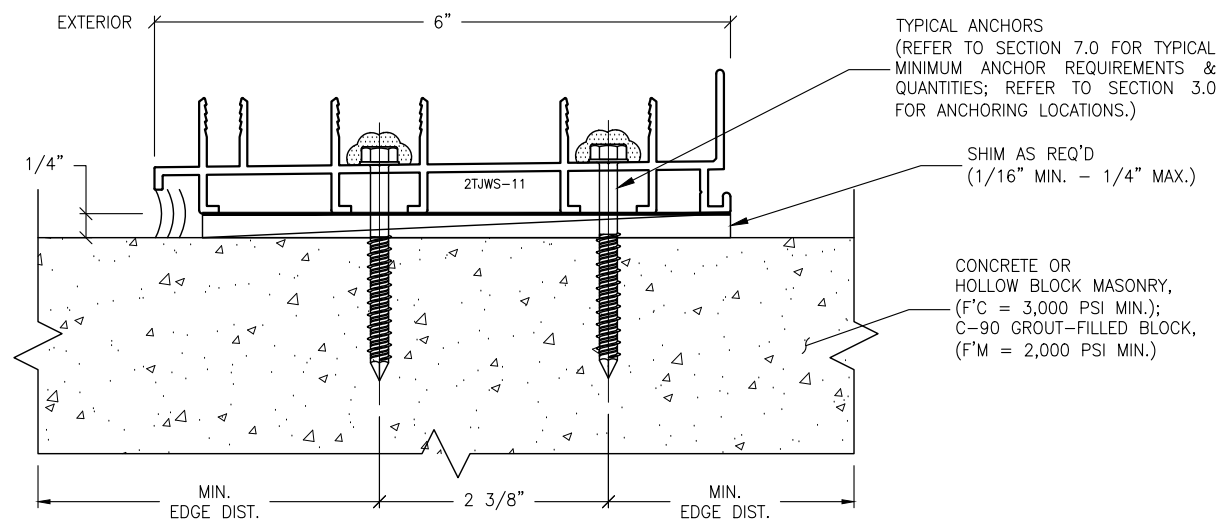




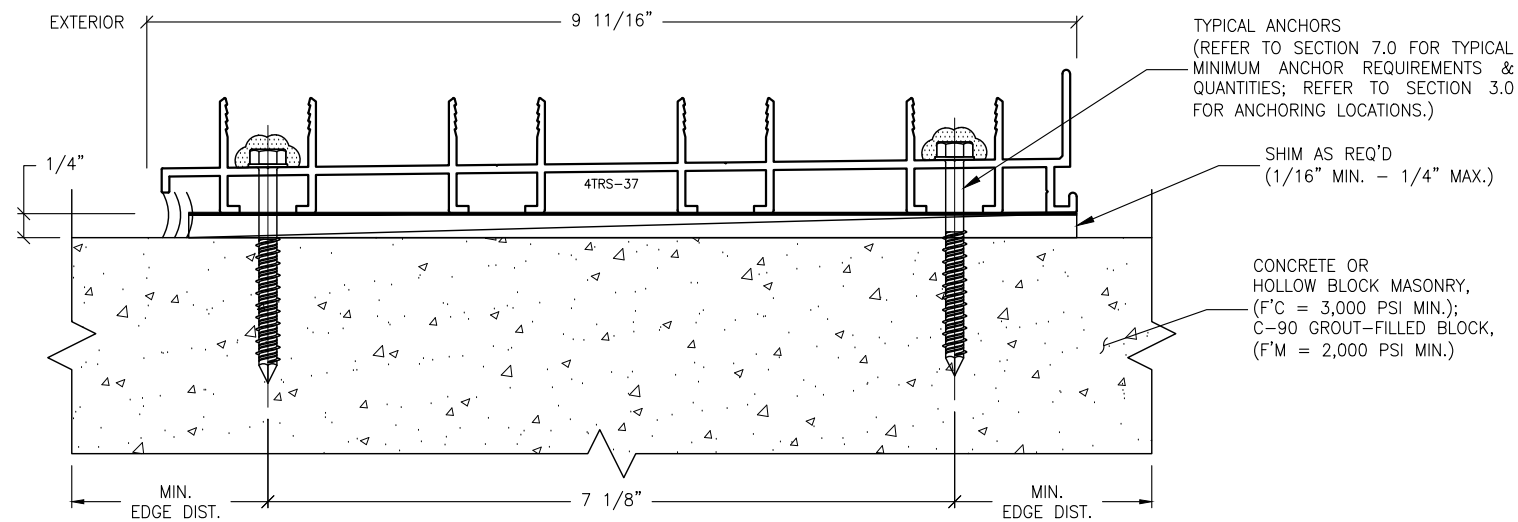
**S3.1 ANCHOR DETAIL**  
**8.6 TWO-TRACK SILL**



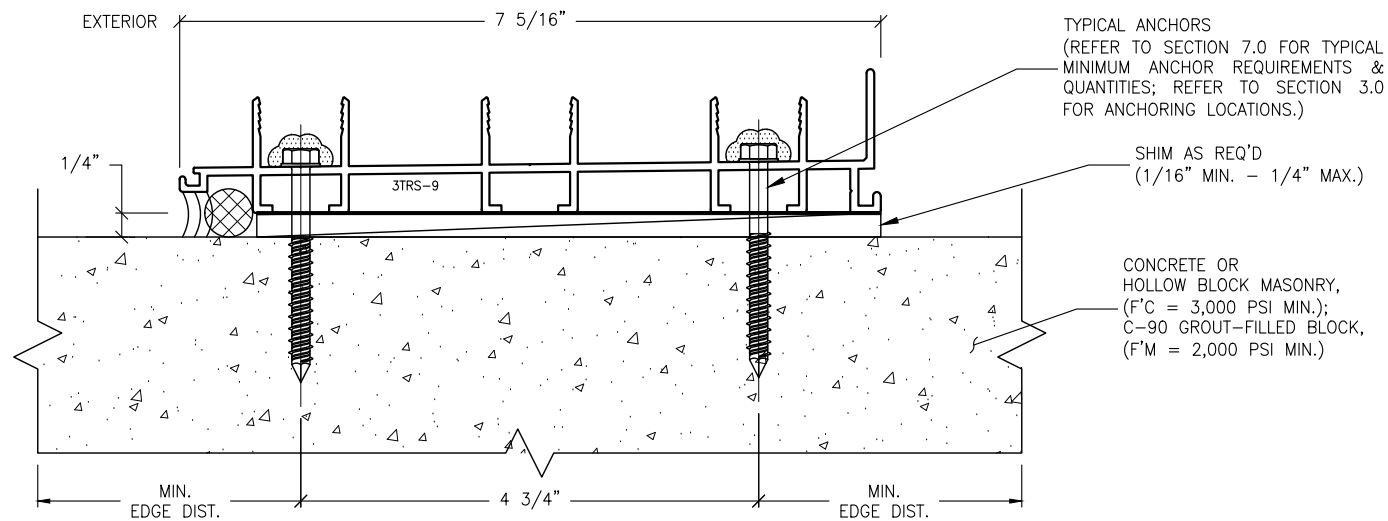
**S3.5 ANCHOR DETAIL**  
**8.6 FIVE-TRACK SILL**



**S3.2 ANCHOR DETAIL**  
**8.6 TWO-TRACK W/ SCREEN SILL**



**S3.4 ANCHOR DETAIL**  
**8.6 FOUR-TRACK SILL**



**S3.3 ANCHOR DETAIL**  
**8.6 THREE-TRACK SILL**

**ANCHORAGE NOTES:**

1. THESE INSTALLATIONS, AS SHOWN FOR ILLUSTRATIVE REFERENCES, WITH MECHANICAL ANCHORAGE, APPLIES TO EACH TRACK CONDITION FOR TWO-TRACK, TWO-TRACK WITH SCREEN, THREE-TRACK, FOUR-TRACK & FIVE-TRACK FRAME SYSTEMS.
2. SILL THRESHOLD TRACKS SHALL BE INSTALLED ONTO ADEQUATELY PREPARED SUBSTRATES, DESIGNED TO WITHSTAND IMPOSED WIND LOADS REQUIREMENTS PER THE FLORIDA BUILDING CODE, (FBC) AND IS THE RESPONSIBILITY OF THE ENGINEER OF RECORD.

**IMPOSED LOADS NOTE:**

BUILDING STRUCTURES, NOT BY VELOCITY IMPACT PRODUCTS, MUST SUPPORT AND TRANSFER LOADS IMPOSED BY GLAZING SYSTEM TO THE BUILDING STRUCTURE.

**FINISH NOTES:**

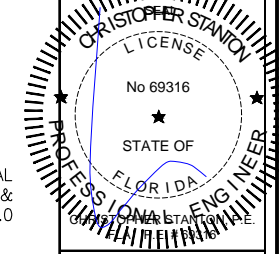
1. INTERIOR & EXTERIOR FINISHES, (BY OTHERS) ARE NOT SHOWN FOR CLARITY.
2. PERIMETER & JOINT SEALANTS, (BY OTHERS) TO BE RECOMMENDED IN ACCORDANCE PER ASTM E2112.
3. WATER-PROOFING (BY OTHERS).

**S3 MECHANICAL ANCHOR, TYPE B**  
**8.6 FOR TYPICAL SILL**  
**INTO CONCRETE OR MASONRY STRUCTURES**

REVISIONS:	NO.	DATE	DESCRIPTION
	1		
	2		
	3		
	4		

THIS DRAWING SET IS AN INSTRUMENT OF SERVICE AND IS THE PROPERTY OF STANTON ENGINEERING, INC. AND IS NOT TO BE REPRODUCED, IN PART, OR AS WHOLE, WITHOUT THE EXPRESSED, WRITTEN PERMISSION OF STANTON ENGINEERING, INC.

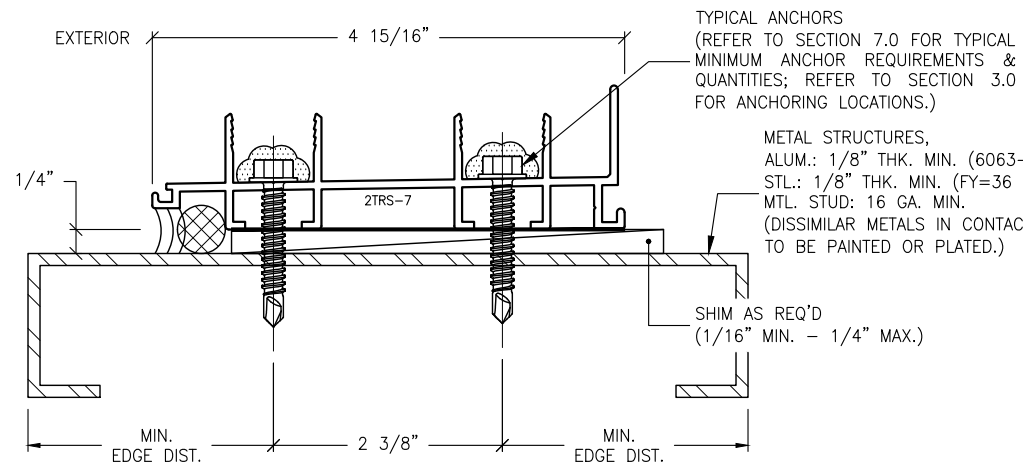
SHOP DRAWINGS ARE REVIEWED FOR STRUCTURAL DETAILS ONLY!



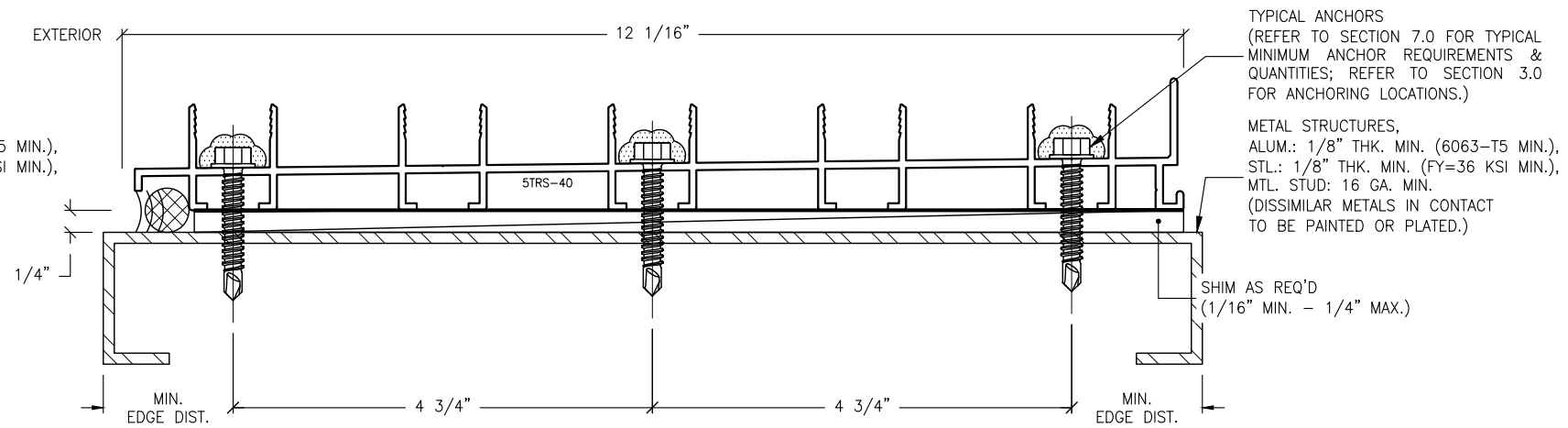
**STANTON ENGINEERING, INC.**  
STRUCTURAL ENGINEERING SERVICES  
2701 NORTHWEST BOCA RATON BOULEVARD, SUITE 204  
BOCA RATON, FLORIDA 33431  
TEL: (561) 393-1008  
FAX: (561) 393-1003

**PROJECT:** SLIDING GLASS DOOR SYSTEM  
**OWNER:** VELOCITY IMPACT PRODUCTS  
2200 AVENUE L, WEST PALM BEACH, FLORIDA, 33404  
PRODUCT APPROVAL FBC (2020): FL# 31650.1  
TEL: (561) 425-5740 NET: www.velocityimpactproducts.com

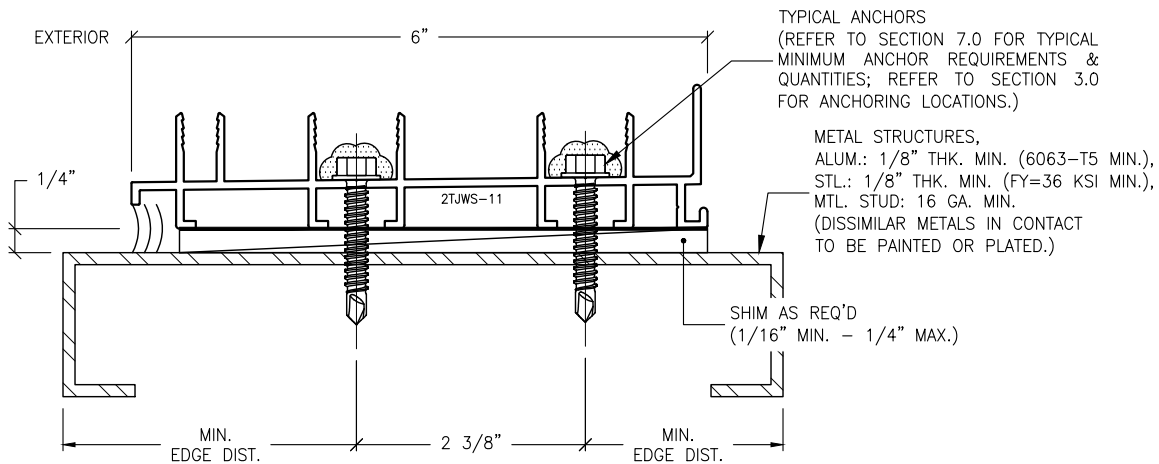
SUBMIT DATE:	01APR2019
DRAWN BY:	KJT
CHECKED BY:	CS
DESCRIPTION	ANCHOR DETAILS
SCALE:	6" = 1'-0" (1:2)
PLOT SIZE:	ANSI B (11" X 17")
SHEET NO.	8.6
	31 of 42
	JOB NO. 0000-00



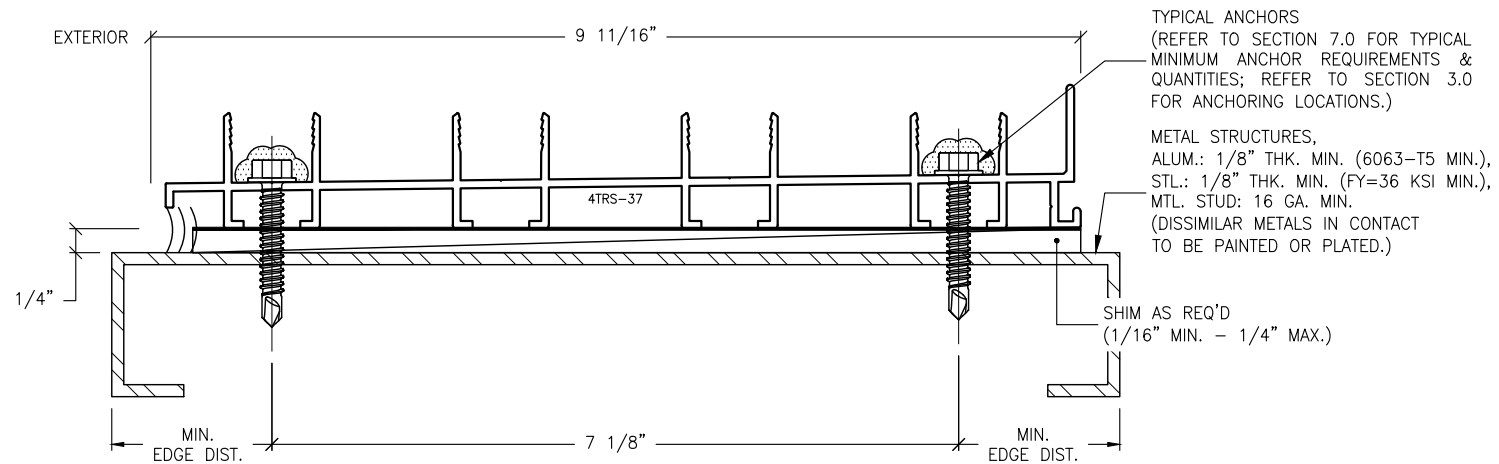
S4.1 ANCHOR DETAIL  
8.7 TWO-TRACK SILL



S4.5 ANCHOR DETAIL  
8.7 FIVE-TRACK SILL



S4.2 ANCHOR DETAIL  
8.7 TWO-TRACK W/ SCREEN SILL



S4.4 ANCHOR DETAIL  
8.7 FOUR-TRACK SILL

**ANCHORAGE NOTES:**

1. THESE INSTALLATIONS, AS SHOWN FOR ILLUSTRATIVE REFERENCES, WITH MECHANICAL ANCHORAGE, APPLIES TO EACH TRACK CONDITION FOR TWO-TRACK, TWO-TRACK WITH SCREEN, THREE-TRACK, FOUR-TRACK & FIVE-TRACK FRAME SYSTEMS.
2. SILL THRESHOLD TRACKS SHALL BE INSTALLED ONTO ADEQUATELY PREPARED SUBSTRATES, DESIGNED TO WITHSTAND IMPOSED WIND LOADS REQUIREMENTS PER THE FLORIDA BUILDING CODE, (FBC) AND IS THE RESPONSIBILITY OF THE ENGINEER OF RECORD.

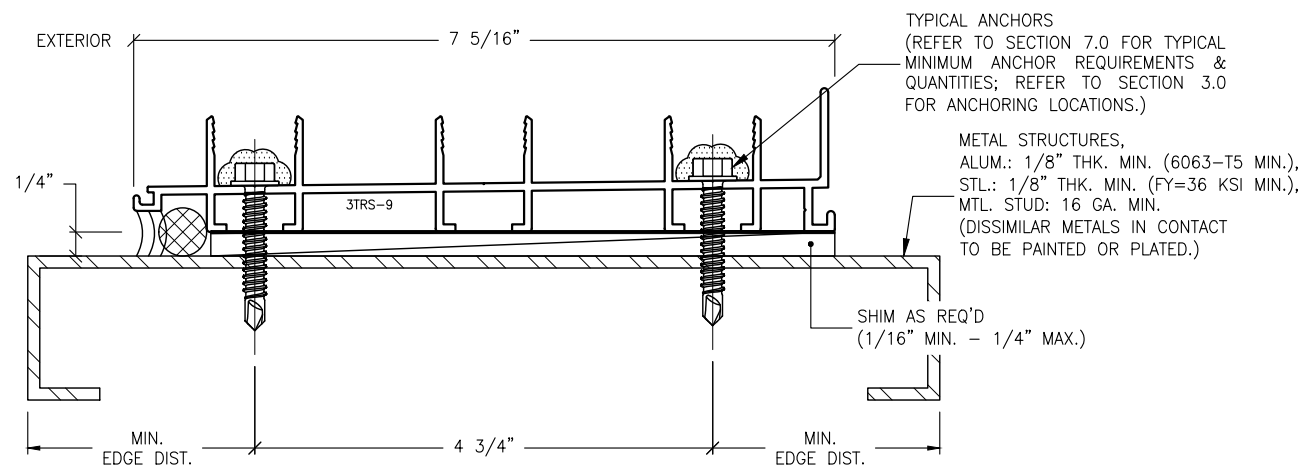
**IMPOSED LOADS NOTE:**

BUILDING STRUCTURES, NOT BY VELOCITY IMPACT PRODUCTS, MUST SUPPORT AND TRANSFER LOADS IMPOSED BY GLAZING SYSTEM TO THE BUILDING STRUCTURE.

**FINISH NOTES:**

1. INTERIOR & EXTERIOR FINISHES, (BY OTHERS) ARE NOT SHOWN FOR CLARITY.
2. PERIMETER & JOINT SEALANTS, (BY OTHERS) TO BE RECOMMENDED IN ACCORDANCE PER ASTM E2112.
3. WATER-PROOFING (BY OTHERS).

S4 MECHANICAL ANCHOR, TYPE C  
8.7 FOR TYPICAL SILL INTO METAL STRUCTURES

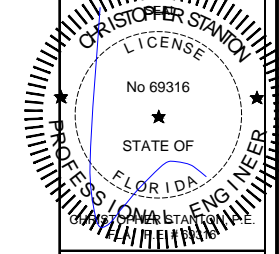


S4.3 ANCHOR DETAIL  
8.7 THREE-TRACK SILL

REVISIONS:	NO.	DATE	DESCRIPTION
	1		
	2		
	3		
	4		

THIS DRAWING SET IS AN INSTRUMENT OF SERVICE AND IS THE PROPERTY OF STANTON ENGINEERING, INC. AND IS NOT TO BE REPRODUCED, IN PART, OR AS A WHOLE, WITHOUT THE EXPRESSED, WRITTEN PERMISSION OF STANTON ENGINEERING, INC.

SHOP DRAWINGS ARE REVIEWED FOR STRUCTURAL DETAILS ONLY!



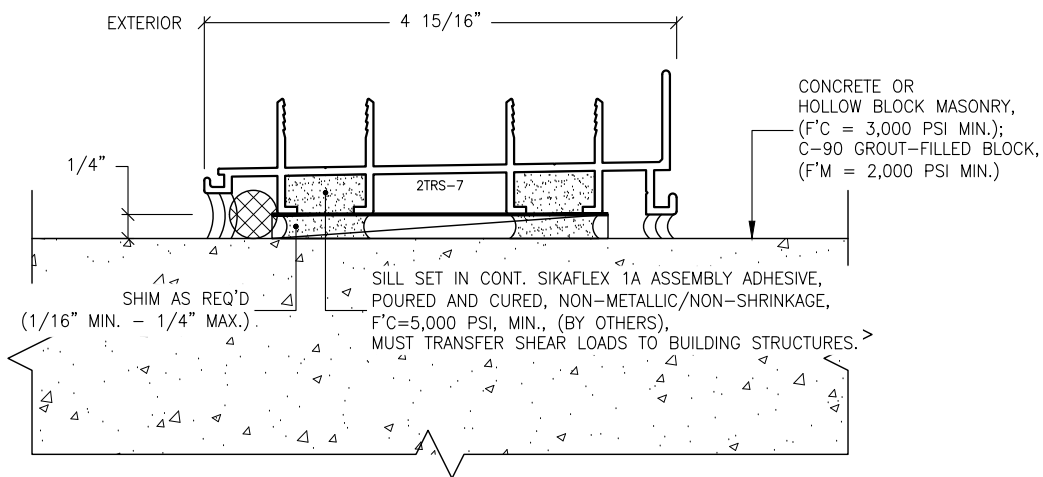
**STANTON ENGINEERING, INC.**  
STRUCTURAL ENGINEERING SERVICES

2701 NORTHWEST BOCA RATON BOULEVARD, SUITE 204  
BOCA RATON, FLORIDA 33431  
TEL: (661) 393-1008  
FAX: (661) 393-1003

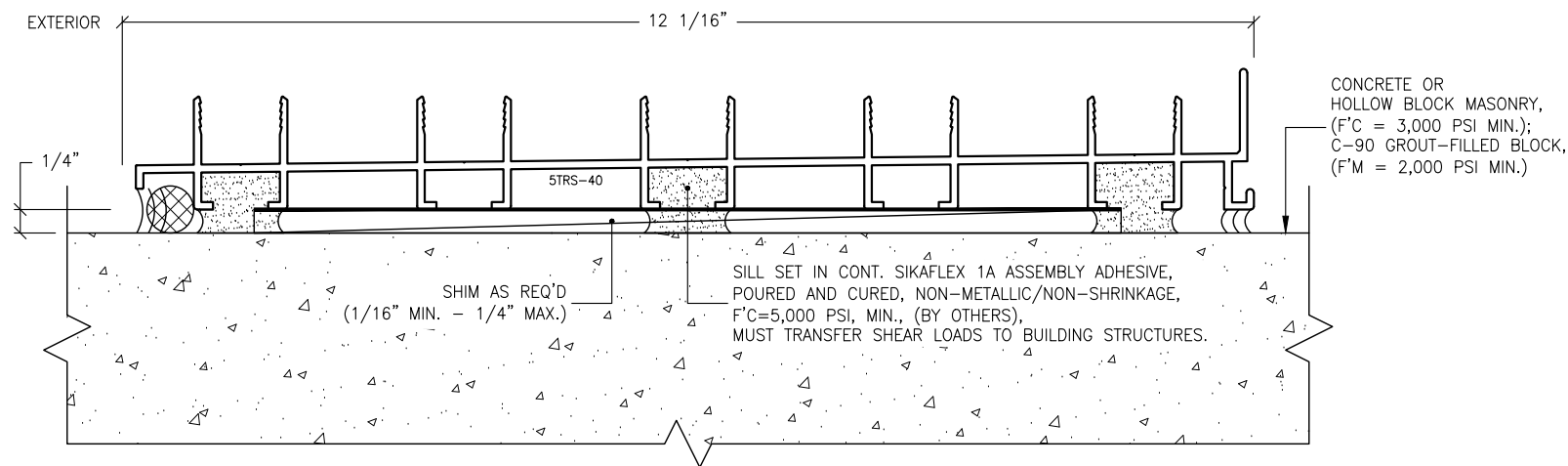
PROJECT: SLIDING GLASS DOOR SYSTEM  
OWNER: VELOCITY IMPACT PRODUCTS  
PRODUCT APPROVAL FBC (2020): FL# 31650.1  
2200 AVENUE L, WEST PALM BEACH, FLORIDA, 33404  
TEL: (901) 428-5740 NET: www.velocityimpactproducts.com

SUBMIT DATE:	01APR2019
DRAWN BY:	KJT
CHECKED BY:	CS
DESCRIPTION	ANCHOR DETAILS
SCALE:	6" = 1'-0" [1:2]
PLOT SIZE:	ANSI B (11" X 17")
SHEET NO.	8.7
	32 of 42
	JOB NO. 0000-00

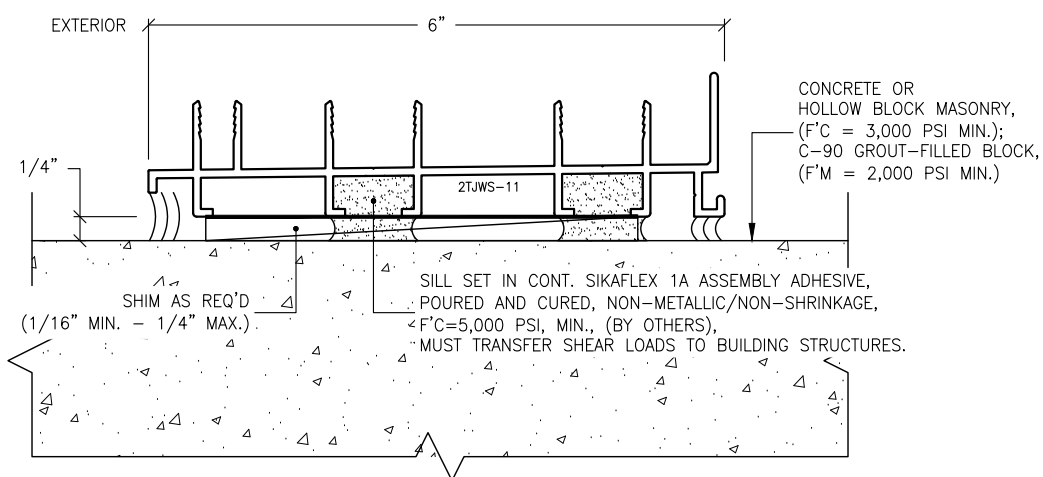




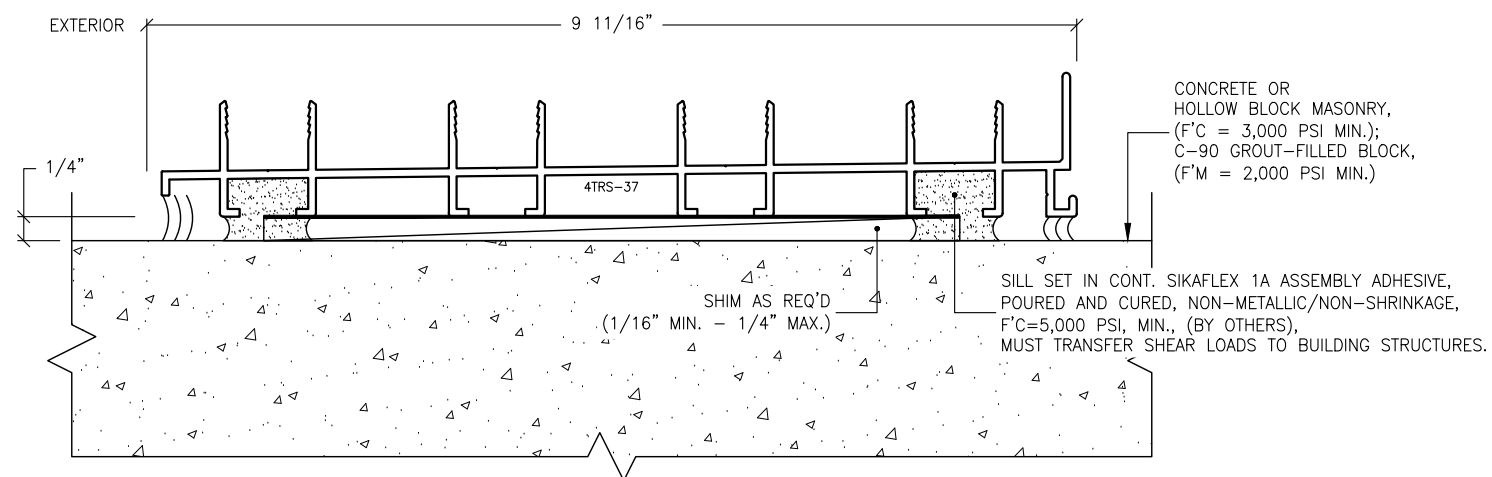
**S5.1** ADHESIVE ANCHORAGE DETAIL  
**8.8** TWO-TRACK SILL



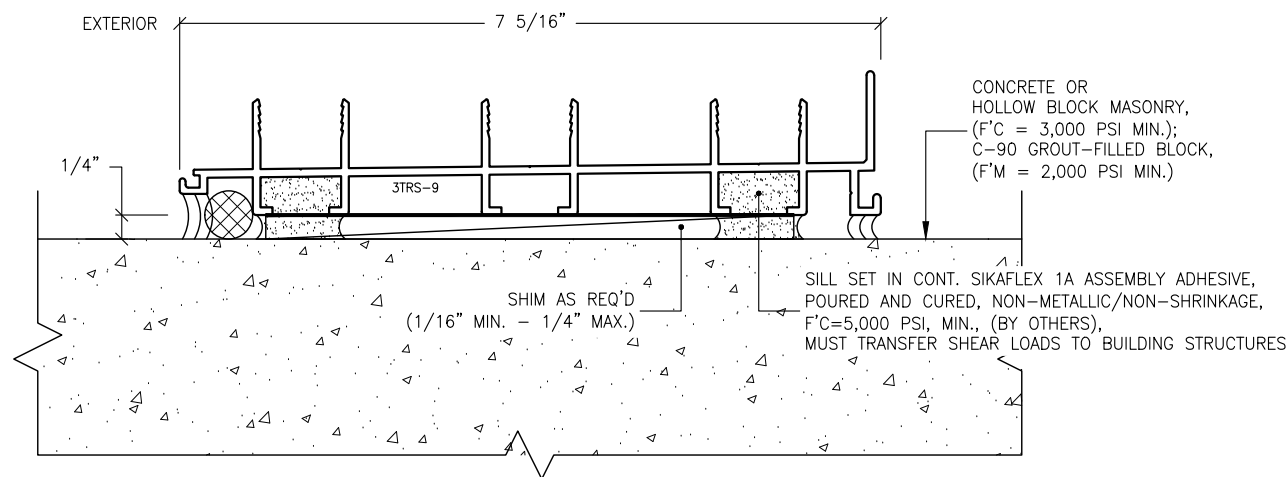
**S5.5** ADHESIVE ANCHORAGE DETAIL  
**8.8** FIVE-TRACK SILL



**S5.2** ADHESIVE ANCHORAGE DETAIL  
**8.8** TWO-TRACK W/ SCREEN SILL



**S5.4** ADHESIVE ANCHORAGE DETAIL  
**8.8** FOUR-TRACK SILL



**S5.3** ADHESIVE ANCHORAGE DETAIL  
**8.8** THREE-TRACK SILL

**ANCHORAGE NOTES:**

1. THIS INSTALLATION, AS SHOWN FOR ILLUSTRATIVE REFERENCE, WITHOUT MECHANICAL ANCHORAGE, APPLIES ONLY TO SILL THRESHOLD TRACK CONDITIONS FOR TWO-TRACK, TWO-TRACK WITH SCREEN, THREE-TRACK, FOUR-TRACK & FIVE-TRACK FRAME SYSTEMS.
2. SILL THRESHOLD TRACKS SHALL BE INSTALLED ONTO ADEQUATELY PREPARED SUBSTRATES, DESIGNED TO WITHSTAND IMPOSED WIND LOADS REQUIREMENTS PER THE FLORIDA BUILDING CODE, (FBC) AND IS THE RESPONSIBILITY OF THE ENGINEER OF RECORD.

**IMPOSED LOADS NOTE:**

BUILDING STRUCTURES, NOT BY VELOCITY IMPACT PRODUCTS, MUST SUPPORT AND TRANSFER LOADS IMPOSED BY GLAZING SYSTEM TO THE BUILDING STRUCTURE.

**FINISH NOTES:**

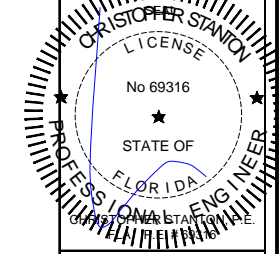
1. INTERIOR & EXTERIOR FINISHES, (BY OTHERS) ARE NOT SHOWN FOR CLARITY.
2. PERIMETER & JOINT SEALANTS, (BY OTHERS) TO BE RECOMMENDED IN ACCORDANCE PER ASTM E2112.
3. WATER-PROOFING (BY OTHERS).

**S5** ADHESIVE ANCHORAGE, TYPE D  
**8.8** FOR TYPICAL SILL INTO CONCRETE OR MASONRY STRUCTURES

REVISIONS:	NO.	DATE	DESCRIPTION
	1		
	2		
	3		
	4		

THIS DRAWING SET IS AN INSTRUMENT OF SERVICE AND IS THE PROPERTY OF STANTON ENGINEERING, INC. AND IS NOT TO BE REPRODUCED, IN PART, OR AS WHOLE, WITHOUT THE EXPRESSED, WRITTEN PERMISSION OF STANTON ENGINEERING, INC.

SHOP DRAWINGS ARE REVIEWED FOR STRUCTURAL DETAILS ONLY!



**STANTON ENGINEERING, INC.**  
STRUCTURAL ENGINEERING SERVICES  
2701 NORTHWEST BOCA RATON BOULEVARD, SUITE 204  
BOCA RATON, FLORIDA 33431  
TEL: (561) 393-1003  
FAX: (561) 393-1008

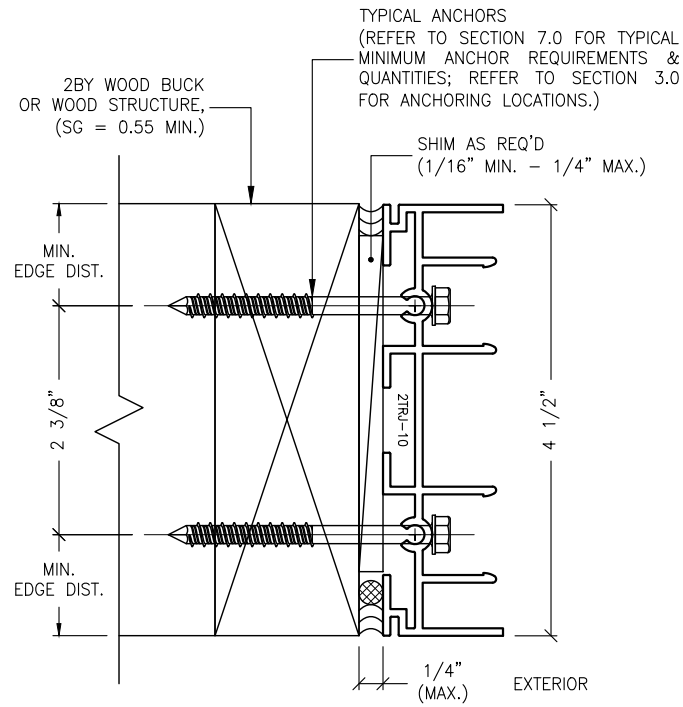
**PROJECT:** SERIES SGD 1000  
**OWNER:** SLIDING GLASS DOOR SYSTEM  
PRODUCT APPROVAL FBC (2020): FL# 31650.1  
**VELOCITY IMPACT PRODUCTS**  
2200 AVENUE L, WEST PALM BEACH, FLORIDA, 33404  
TEL: (561) 428-5740 NET: www.velocityimpactproducts.com

SUBMIT DATE: 01APR2019  
DRAWN BY: KJT  
CHECKED BY: CS

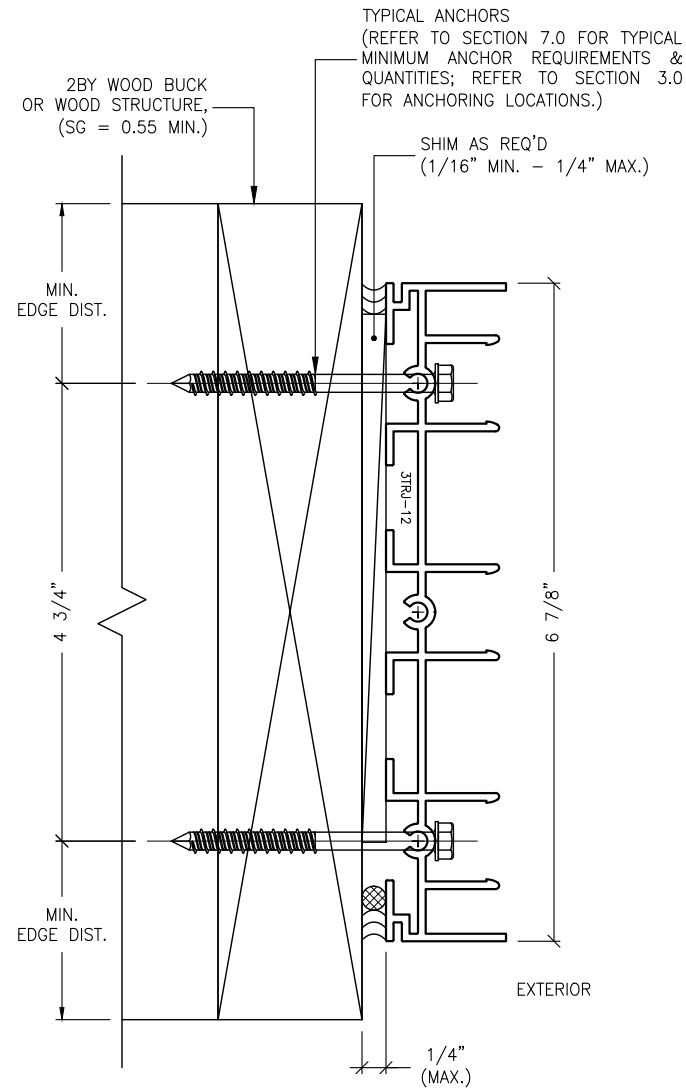
DESCRIPTION  
ANCHOR DETAILS

SCALE: 6" = 1'-0" [1:2]  
PLOT SIZE: ANSI B (11" X 17")

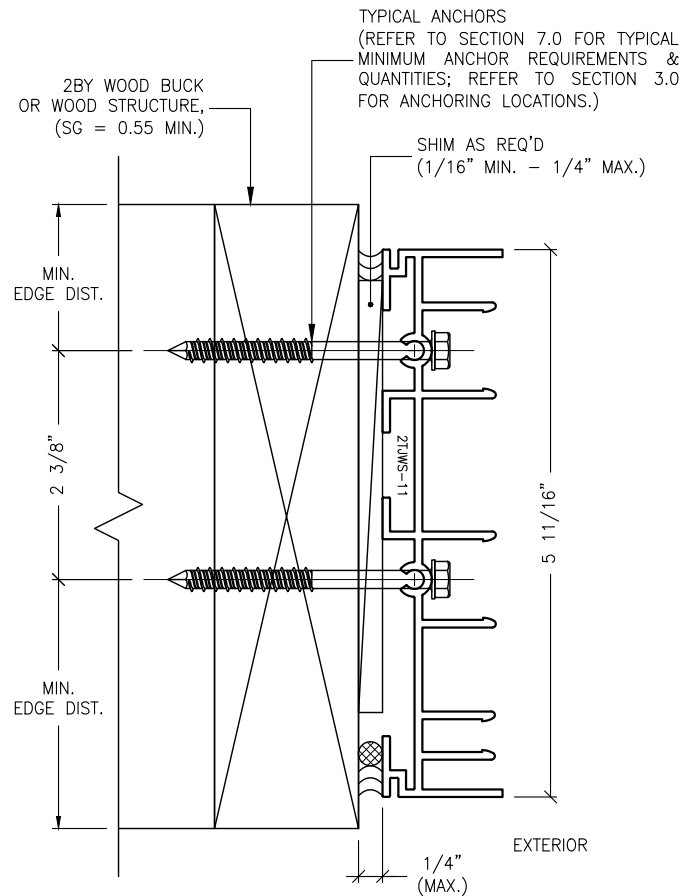
SHEET NO.  
**8.8** 33 of 42  
JOB NO. 0000-00



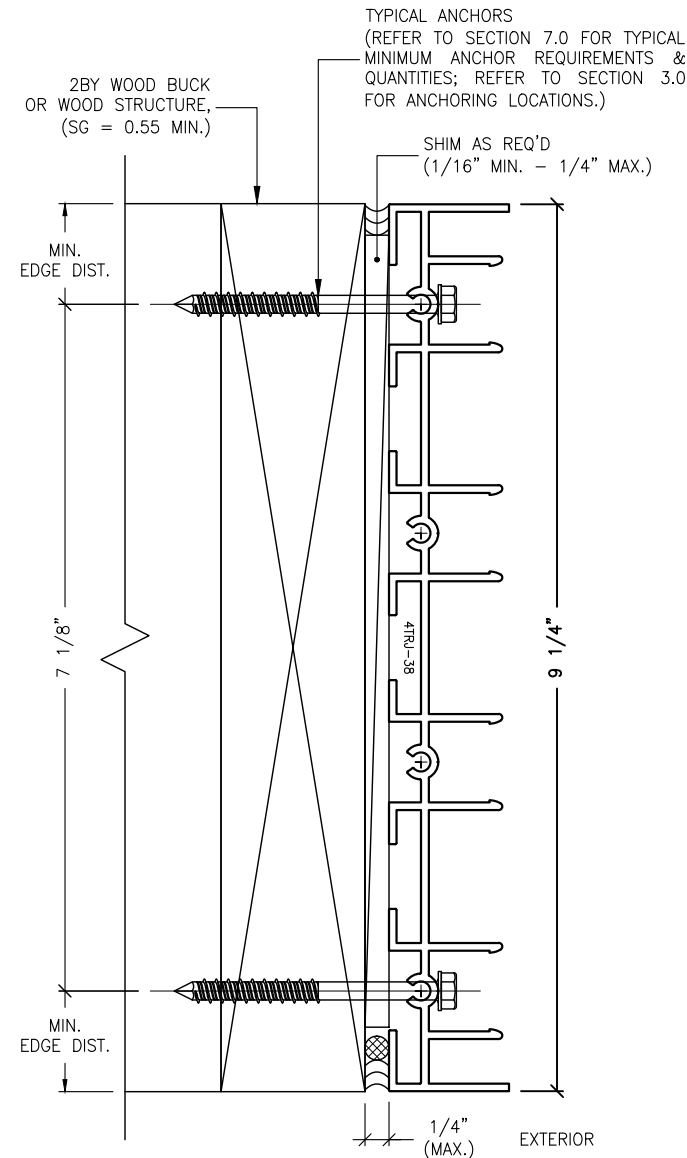
**J1.1** ANCHOR DETAIL  
**8.9** TWO-TRACK JAMB



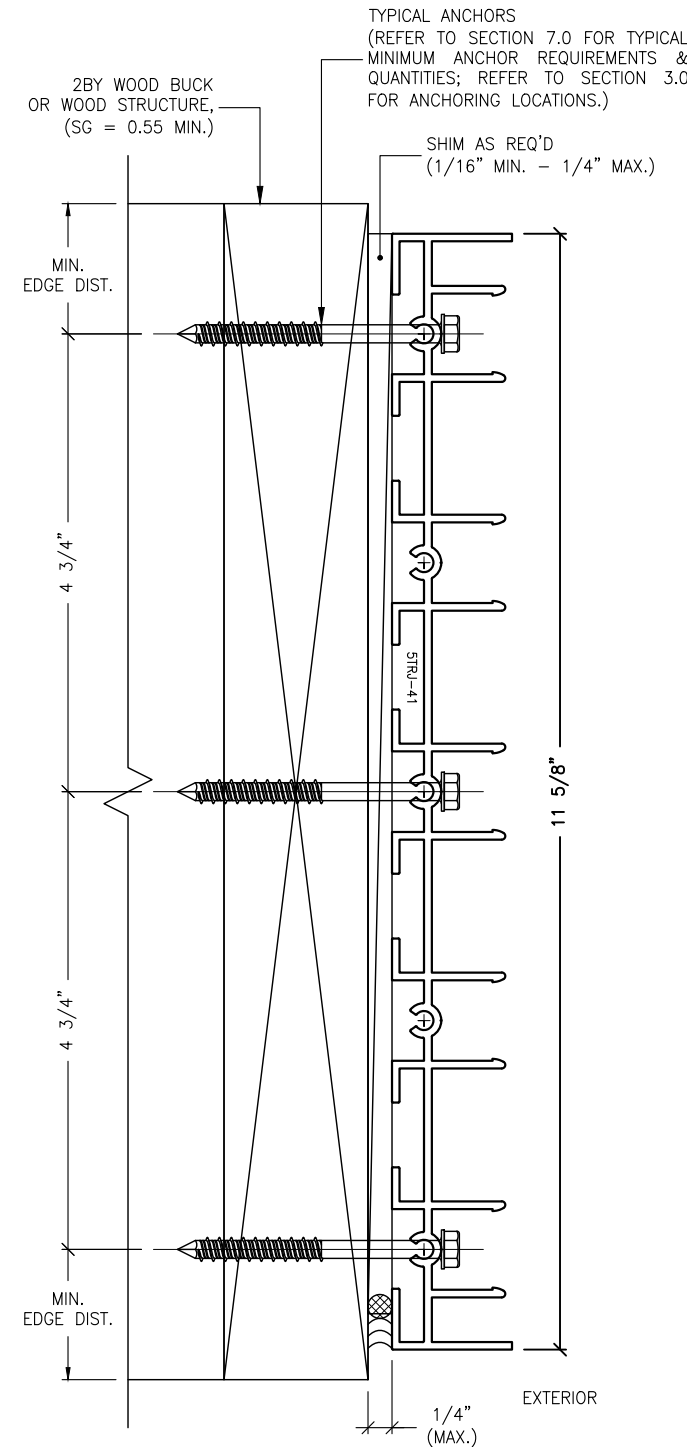
**J1.3** ANCHOR DETAIL  
**8.9** THREE-TRACK JAMB



**J1.2** ANCHOR DETAIL  
**8.9** TWO-TRACK W/ SCREEN JAMB



**J1.4** ANCHOR DETAIL  
**8.9** FOUR-TRACK JAMB



**J1.5** ANCHOR DETAIL  
**8.9** FIVE-TRACK JAMB

**IMPOSED LOADS NOTE:**  
BUILDING STRUCTURES, NOT BY VELOCITY IMPACT PRODUCTS, MUST SUPPORT AND TRANSFER LOADS IMPOSED BY GLAZING SYSTEM TO THE BUILDING STRUCTURE.

**FINISH NOTES:**  
1. INTERIOR & EXTERIOR FINISHES, (BY OTHERS) ARE NOT SHOWN FOR CLARITY.  
2. PERIMETER & JOINT SEALANTS, (BY OTHERS) TO BE RECOMMENDED IN ACCORDANCE PER ASTM E2112.  
3. WATER-PROOFING (BY OTHERS).

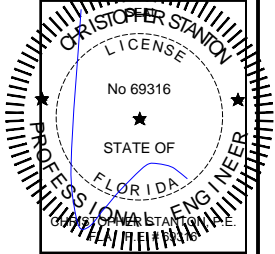
**ANCHORAGE NOTES:**  
1. THIS INSTALLATION, AS SHOWN FOR ILLUSTRATIVE REFERENCE, WITHOUT MECHANICAL ANCHORAGE, APPLIES ONLY TO SILL THRESHOLD TRACK CONDITIONS FOR TWO-TRACK, TWO-TRACK WITH SCREEN, THREE-TRACK, FOUR-TRACK & FIVE-TRACK FRAME SYSTEMS.  
2. THESE JAMBS SHALL BE INSTALLED ONTO ADEQUATELY PREPARED SUBSTRATES, DESIGNED TO WITHSTAND IMPOSED WIND LOADS REQUIREMENTS PER THE FLORIDA BUILDING CODE, (FBC) AND IS THE RESPONSIBILITY OF THE ENGINEER OF RECORD.

**J1** MECHANICAL ANCHOR, TYPE A  
**8.9** FOR TYPICAL JAMBS INTO 2BY WOOD OR WOOD STRUCTURES

REVISIONS:	NO.	DATE	DESCRIPTION
	1		
	2		
	3		
	4		

THIS DRAWING SET IS AN INSTRUMENT OF SERVICE AND IS THE PROPERTY OF STANTON ENGINEERING, INC. AND IS NOT TO BE REPRODUCED, IN PART, OR AS WHOLE, WITHOUT THE EXPRESSED, WRITTEN PERMISSION OF STANTON ENGINEERING, INC.

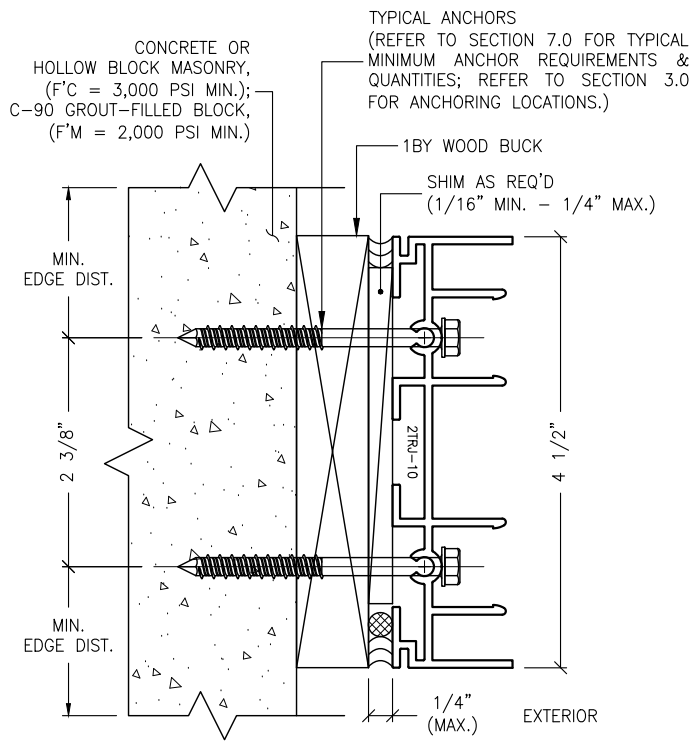
SHOP DRAWINGS ARE REVIEWED FOR STRUCTURAL DETAILS ONLY!



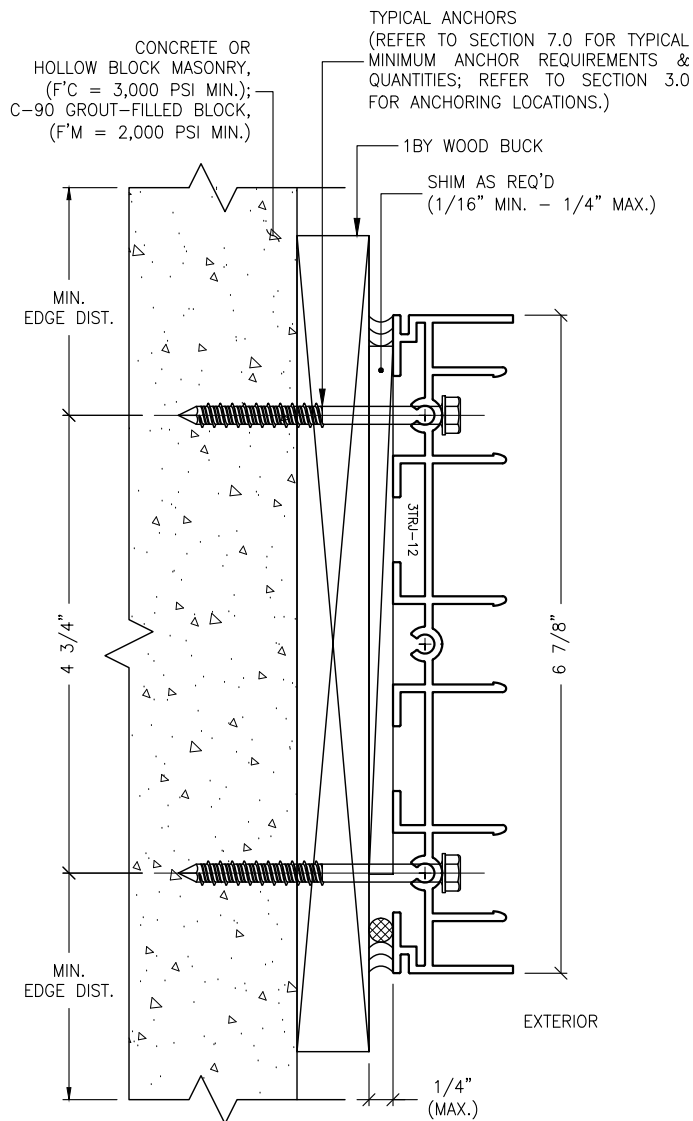
**STANTON ENGINEERING, INC.**  
STRUCTURAL ENGINEERING SERVICES  
2701 NORTHWEST BOCA RATON BOULEVARD, SUITE 204  
BOCA RATON, FLORIDA 33431  
TEL: (561) 393-1008  
FAX: (561) 393-1003

**PROJECT:** SERIES SGD 1000  
**OWNER:** SLIDING GLASS DOOR SYSTEM  
PRODUCT APPROVAL FBC (2020): FL# 31650.1  
**VELOCITY IMPACT PRODUCTS**  
2200 AVENUE L, WEST PALM BEACH, FLORIDA, 33404  
TEL: (561) 428-5740 NET: www.velocityimpactproducts.com

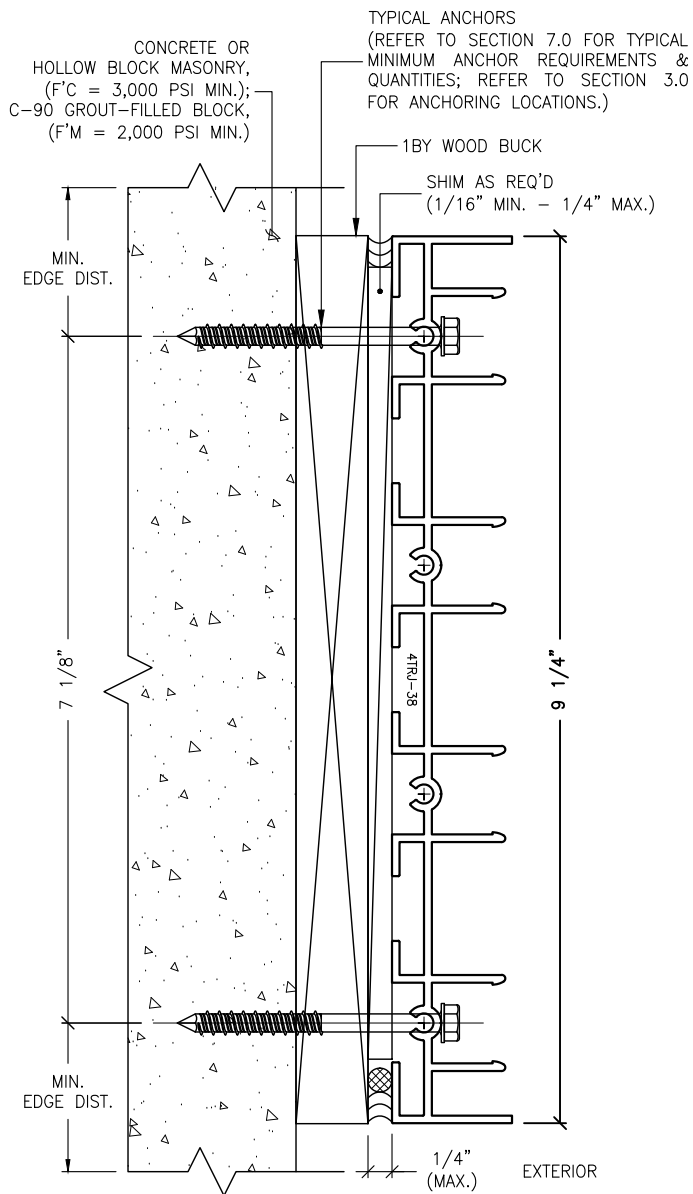
SUBMIT DATE: 01APR2019  
DRAWN BY: KJT  
CHECKED BY: CS  
DESCRIPTION: ANCHOR DETAILS  
SCALE: 6" = 1'-0" (1:2)  
PLOT SIZE: ANSI B (11" X 17")  
SHEET NO.: **8.9** 34 of 42  
JOB NO. 0000-00



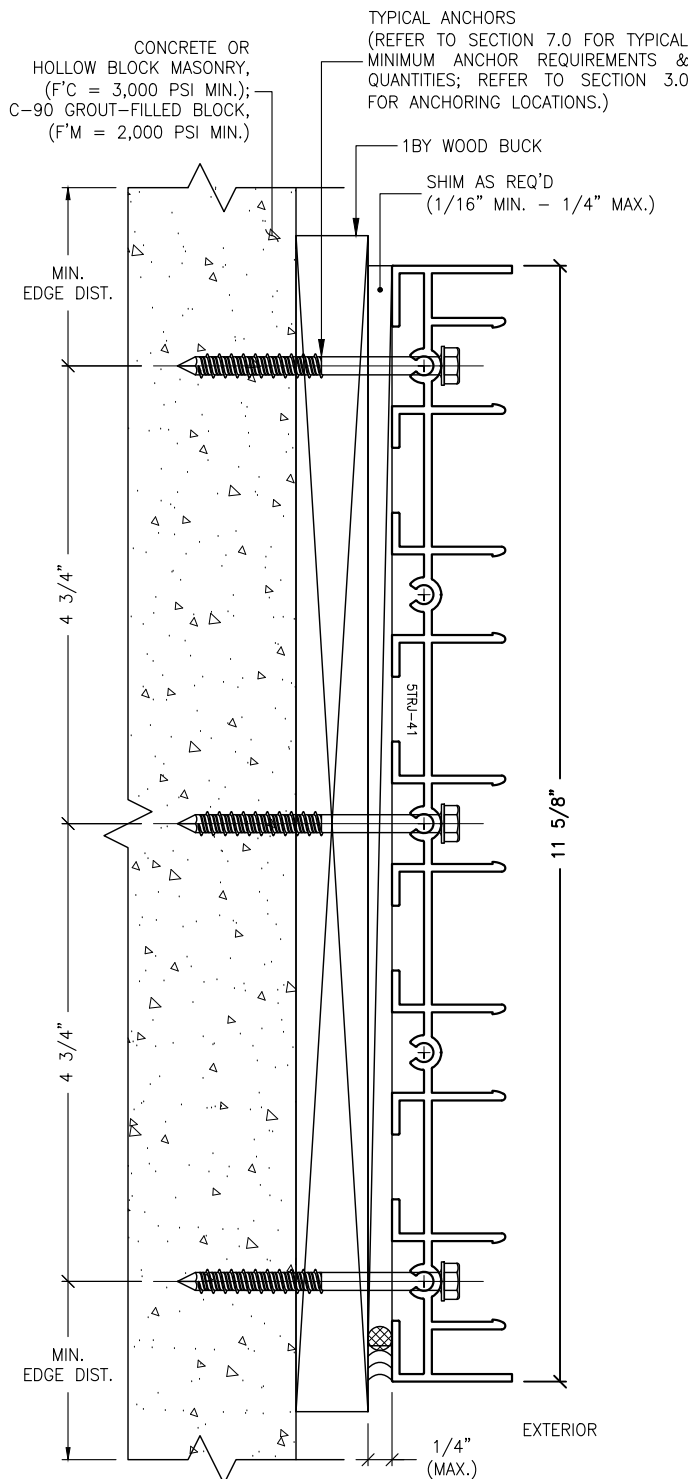
**J2.1** ANCHOR DETAIL  
8.10 TWO-TRACK JAMB



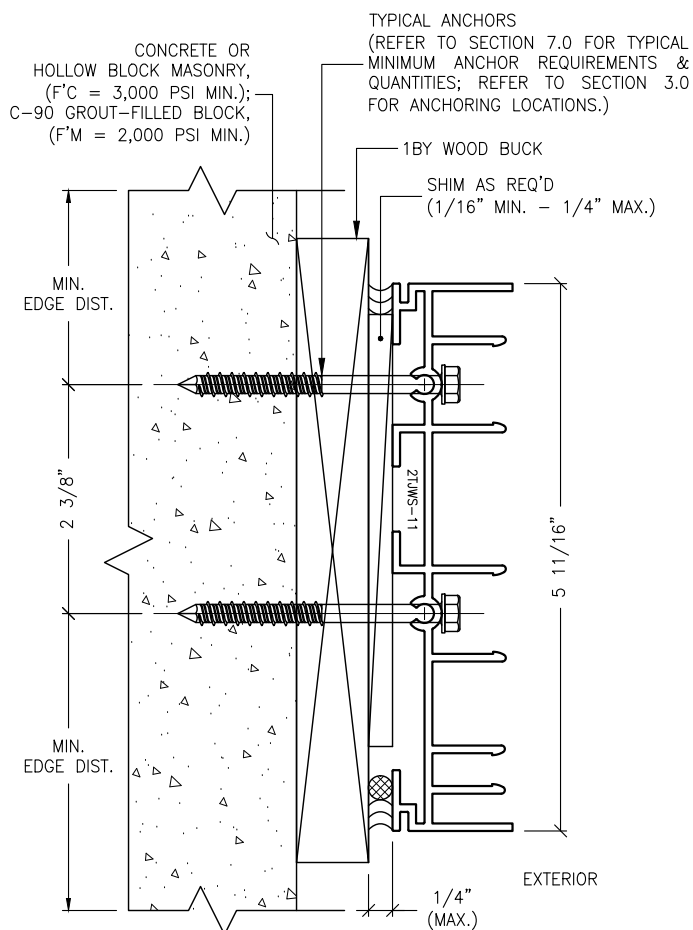
**J2.3** ANCHOR DETAIL  
8.10 THREE-TRACK JAMB



**J1.4** ANCHOR DETAIL  
8.10 FOUR-TRACK JAMB



**J1.5** ANCHOR DETAIL  
8.10 FIVE-TRACK JAMB



**J2.2** ANCHOR DETAIL  
8.10 TWO-TRACK W/ SCREEN JAMB

**IMPOSED LOADS NOTE:**  
BUILDING STRUCTURES, NOT BY VELOCITY IMPACT PRODUCTS, MUST SUPPORT AND TRANSFER LOADS IMPOSED BY GLAZING SYSTEM TO THE BUILDING STRUCTURE.

**FINISH NOTES:**  
1. INTERIOR & EXTERIOR FINISHES, (BY OTHERS) ARE NOT SHOWN FOR CLARITY.  
2. PERIMETER & JOINT SEALANTS, (BY OTHERS) TO BE RECOMMENDED IN ACCORDANCE PER ASTM E2112.  
3. WATER-PROOFING (BY OTHERS).

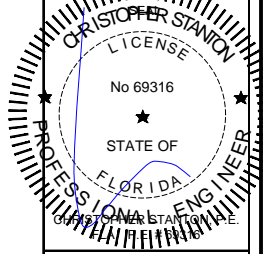
**ANCHORAGE NOTES:**  
1. THIS INSTALLATION, AS SHOWN FOR ILLUSTRATIVE REFERENCE, WITHOUT MECHANICAL ANCHORAGE, APPLIES ONLY TO SILL THRESHOLD TRACK CONDITIONS FOR TWO-TRACK, TWO-TRACK WITH SCREEN, THREE-TRACK, FOUR-TRACK & FIVE-TRACK FRAME SYSTEMS.  
2. THESE JAMBS SHALL BE INSTALLED ONTO ADEQUATELY PREPARED SUBSTRATES, DESIGNED TO WITHSTAND IMPOSED WIND LOADS REQUIREMENTS PER THE FLORIDA BUILDING CODE, (FBC) AND IS THE RESPONSIBILITY OF THE ENGINEER OF RECORD.

**J2** MECHANICAL ANCHOR, TYPE A  
8.10 FOR TYPICAL JAMBS  
THRU 1BY INTO BUILDING STRUCTURES

REVISIONS:	NO.	DATE	DESCRIPTION
	1		
	2		
	3		
	4		

THIS DRAWING SET IS AN INSTRUMENT OF SERVICE AND IS THE PROPERTY OF STANTON ENGINEERING, INC. AND IS NOT TO BE REPRODUCED, IN PART, OR AS WHOLE, WITHOUT THE EXPRESSED, WRITTEN PERMISSION OF STANTON ENGINEERING, INC.

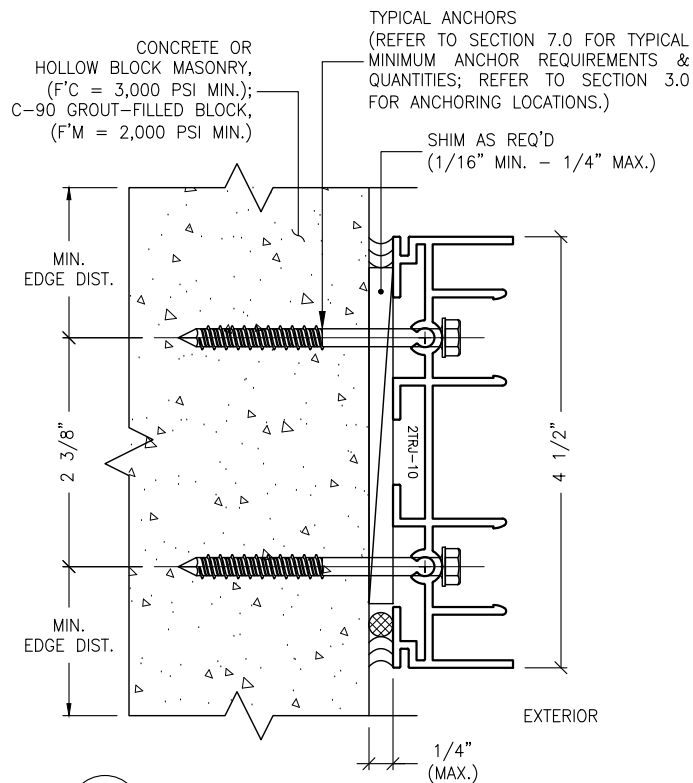
SHOP DRAWINGS ARE REVIEWED FOR STRUCTURAL DETAILS ONLY!



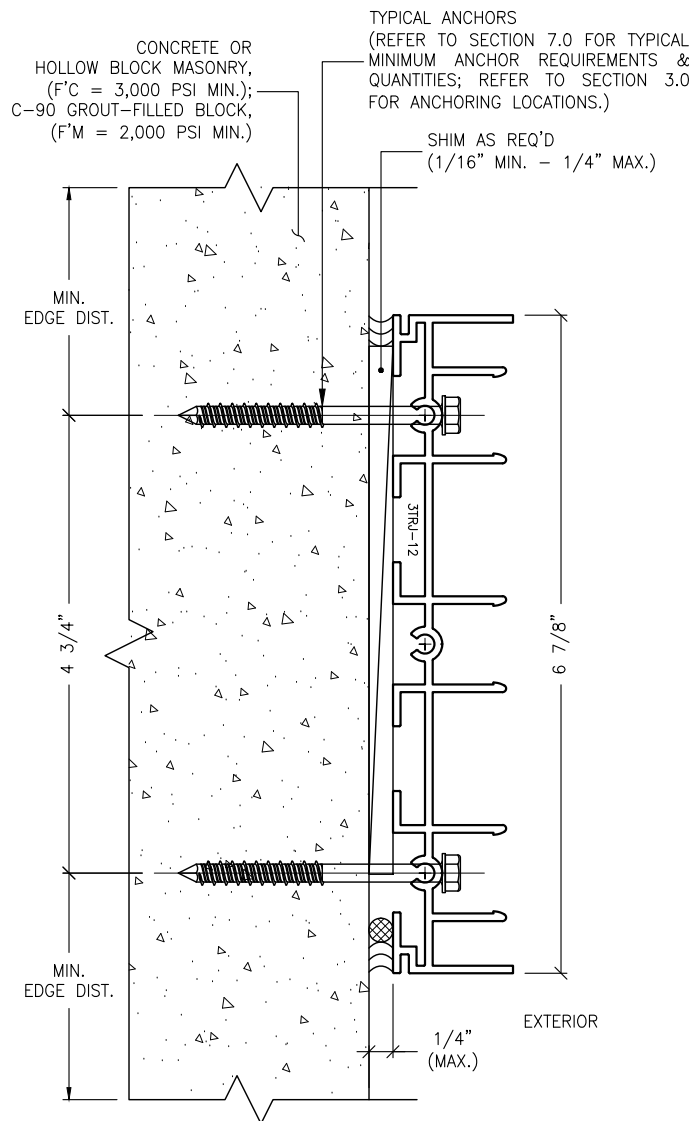
**STANTON ENGINEERING, INC.**  
STRUCTURAL ENGINEERING SERVICES  
2701 NORTHWEST BOCA RATON BOULEVARD, SUITE 204  
BOCA RATON, FLORIDA 33431  
TEL: (561) 393-1008  
FAX: (561) 393-1003

**PROJECT:** SERIES SGD 1000  
**OWNER:** VELOCITY IMPACT PRODUCTS  
SLIDING GLASS DOOR SYSTEM  
PRODUCT APPROVAL FBC (2020): FL# 31650.1  
2200 AVENUE L, WEST PALM BEACH, FLORIDA, 33404  
TEL: (561) 4285740 NET: www.velocityimpactproducts.com

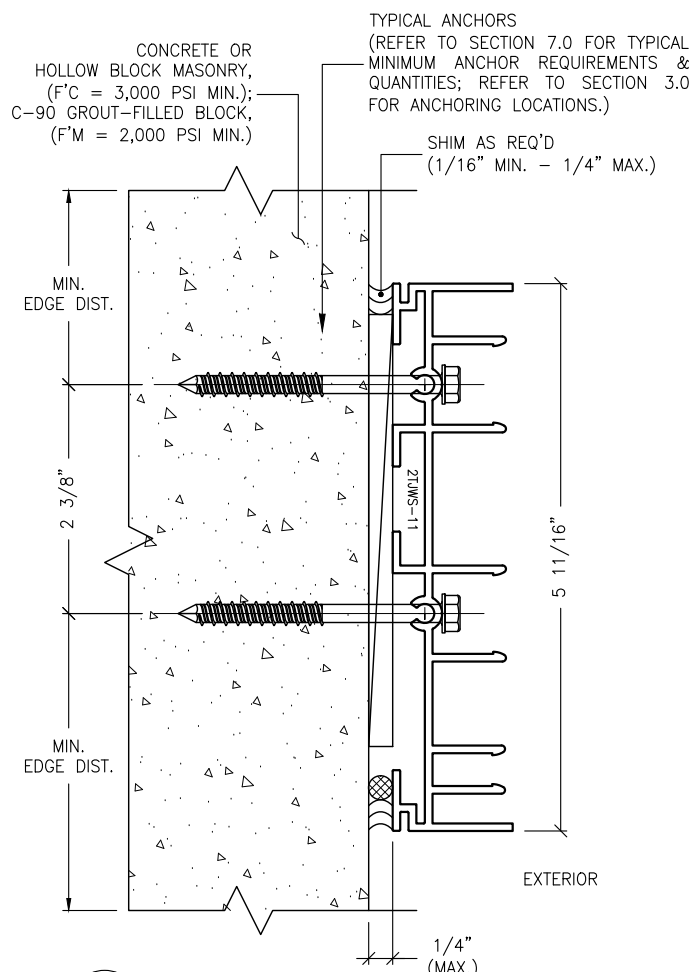
SUBMIT DATE:	01APR2019
DRAWN BY:	KJT
CHECKED BY:	CS
DESCRIPTION	ANCHOR DETAILS
SCALE:	6" = 1'-0" [1:2]
PLOT SIZE:	ANSI B (11" X 17")
SHEET NO.	8.10 35 of 42
JOB NO.	0000-00



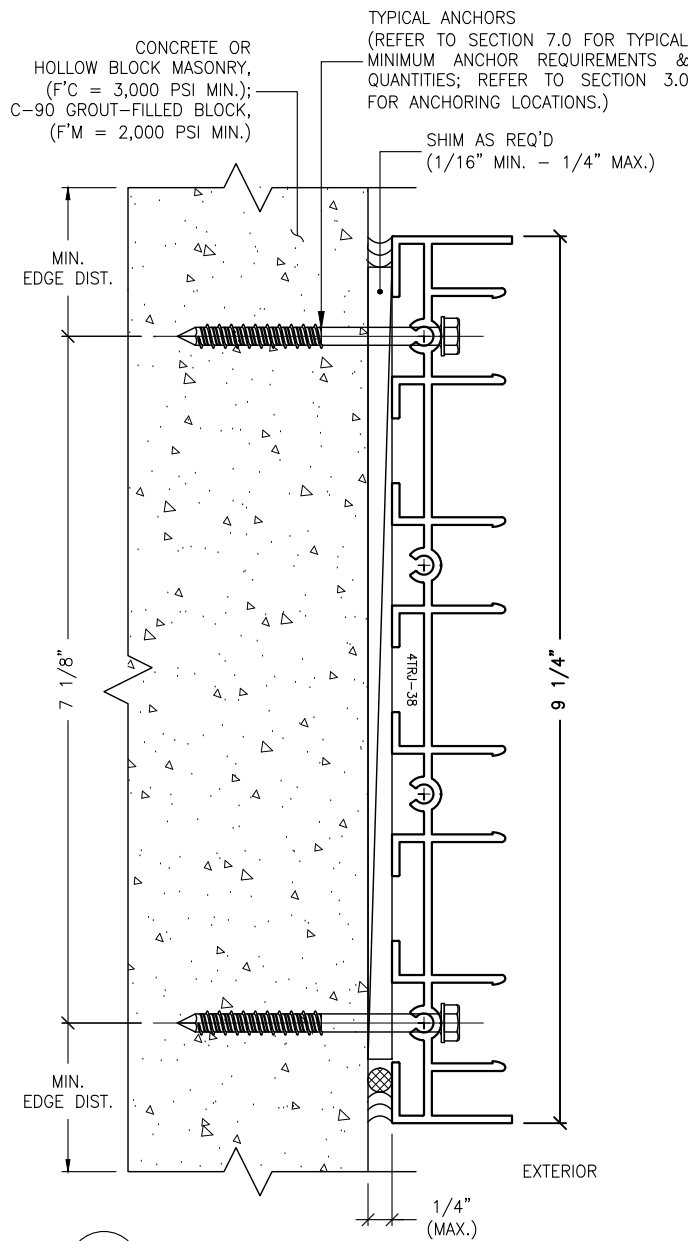
**J3.1 ANCHOR DETAIL**  
**8.11 TWO-TRACK JAMB**



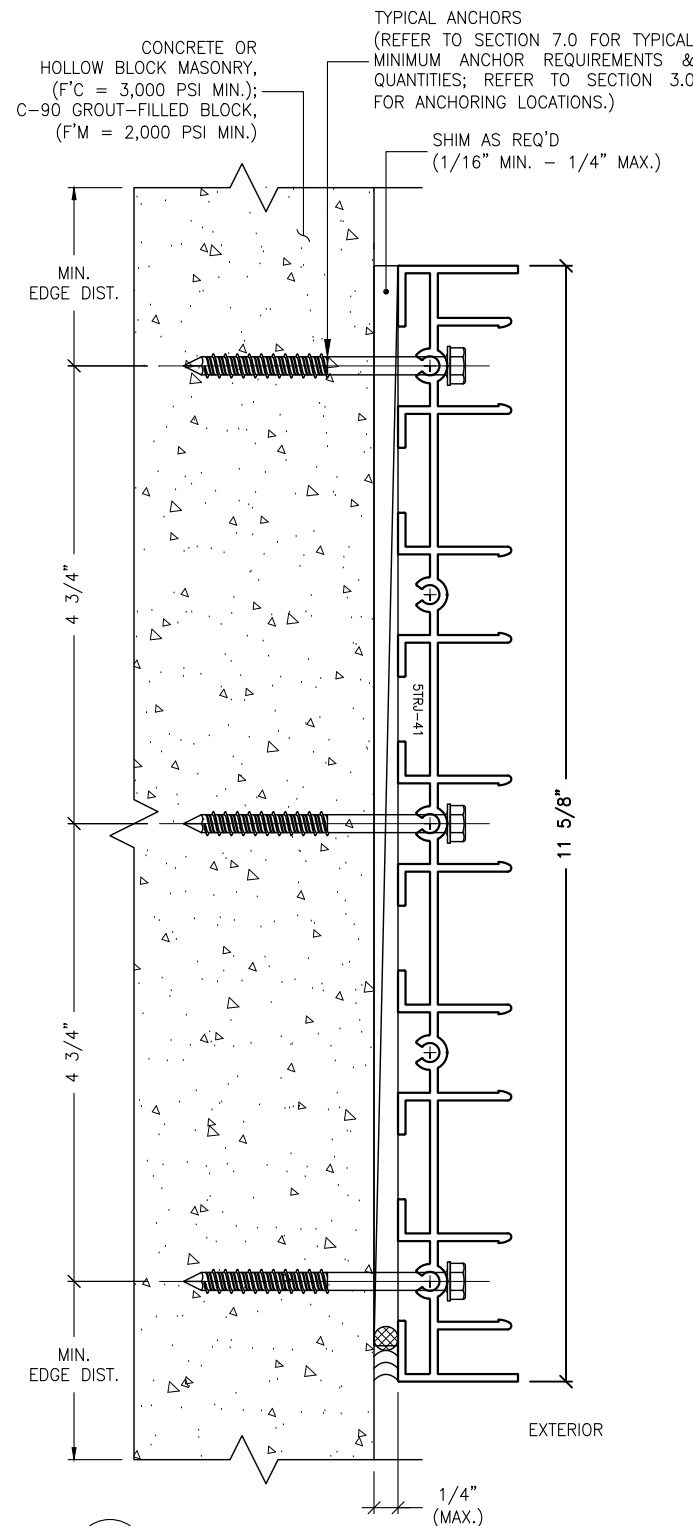
**J3.3 ANCHOR DETAIL**  
**8.11 THREE-TRACK JAMB**



**J3.2 ANCHOR DETAIL**  
**8.11 TWO-TRACK W/ SCREEN JAMB**



**J1.4 ANCHOR DETAIL**  
**8.11 FOUR-TRACK JAMB**



**J1.5 ANCHOR DETAIL**  
**8.11 FIVE-TRACK JAMB**

**IMPOSED LOADS NOTE:**  
BUILDING STRUCTURES, NOT BY VELOCITY IMPACT PRODUCTS, MUST SUPPORT AND TRANSFER LOADS IMPOSED BY GLAZING SYSTEM TO THE BUILDING STRUCTURE.

**FINISH NOTES:**  
1. INTERIOR & EXTERIOR FINISHES, (BY OTHERS) ARE NOT SHOWN FOR CLARITY.  
2. PERIMETER & JOINT SEALANTS, (BY OTHERS) TO BE RECOMMENDED IN ACCORDANCE PER ASTM E2112.  
3. WATER-PROOFING (BY OTHERS).

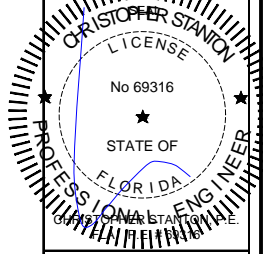
**ANCHORAGE NOTES:**  
1. THIS INSTALLATION, AS SHOWN FOR ILLUSTRATIVE REFERENCE, WITHOUT MECHANICAL ANCHORAGE, APPLIES ONLY TO SILL THRESHOLD TRACK CONDITIONS FOR TWO-TRACK, TWO-TRACK WITH SCREEN, THREE-TRACK, FOUR-TRACK & FIVE-TRACK FRAME SYSTEMS.  
2. THESE JAMBS SHALL BE INSTALLED ONTO ADEQUATELY PREPARED SUBSTRATES, DESIGNED TO WITHSTAND IMPOSED WIND LOADS REQUIREMENTS PER THE FLORIDA BUILDING CODE, (FBC) AND IS THE RESPONSIBILITY OF THE ENGINEER OF RECORD.

**J3 MECHANICAL ANCHOR, TYPE B**  
**8.11 FOR TYPICAL JAMBS INTO CONCRETE OR MASONRY STRUCTURES**

REVISIONS:	NO.	DATE	DESCRIPTION
	1		
	2		
	3		
	4		

THIS DRAWING SET IS AN INSTRUMENT OF SERVICE AND IS THE PROPERTY OF STANTON ENGINEERING, INC. AND IS NOT TO BE REPRODUCED, IN PART, OR AS A WHOLE, WITHOUT THE EXPRESSED, WRITTEN PERMISSION OF STANTON ENGINEERING, INC.

SHOP DRAWINGS ARE REVIEWED FOR STRUCTURAL DETAILS ONLY!

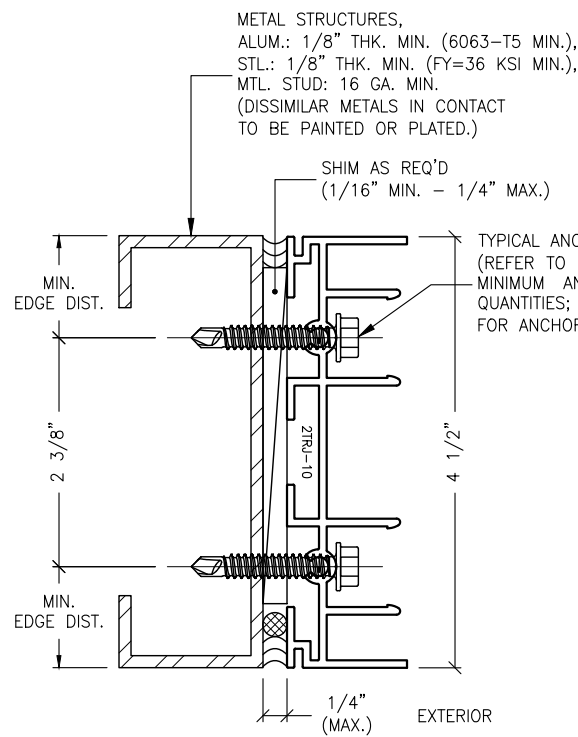


**STANTON ENGINEERING, INC.**  
**STRUCTURAL ENGINEERING SERVICES**  
2701 NORTHWEST BOCA RATON BOULEVARD, SUITE 204  
BOCA RATON, FLORIDA 33431  
TEL: (561) 393-1008  
FAX: (561) 393-1003

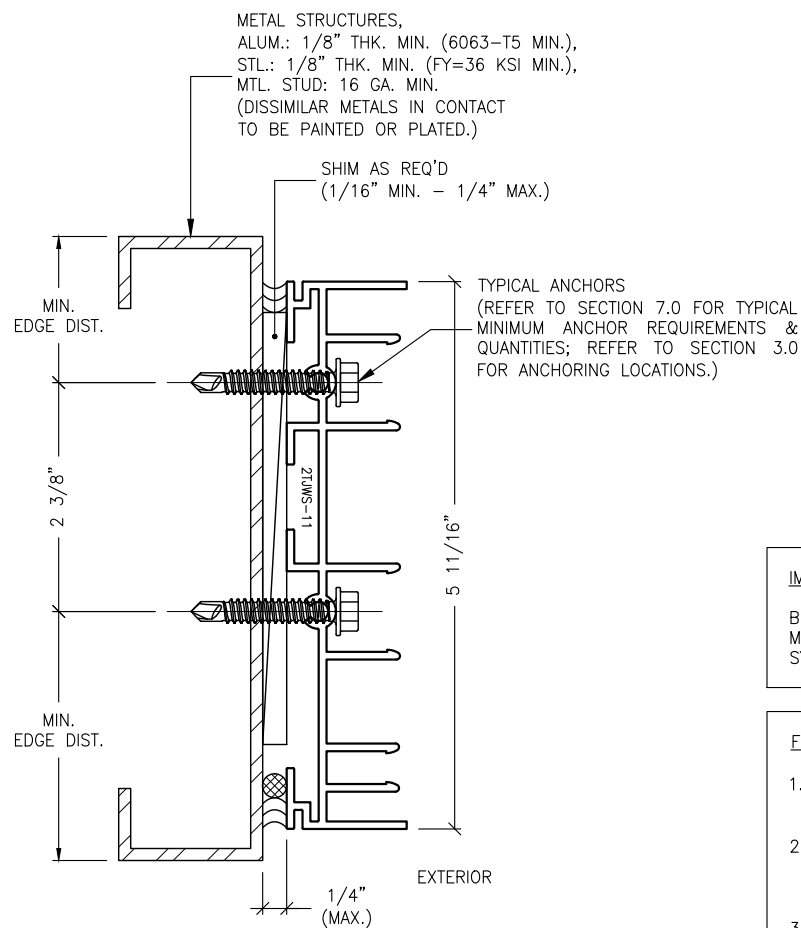
**PROJECT:** SERIES SGD 1000  
**OWNER:** SLIDING GLASS DOOR SYSTEM  
PRODUCT APPROVAL FBC (2020): FL# 31650.1  
**VELOCITY IMPACT PRODUCTS**  
2200 AVENUE L, WEST PALM BEACH, FLORIDA, 33404  
TEL: (561) 428-5740 NET: www.velocityimpactproducts.com

SUBMIT DATE:	01APR2019
DRAWN BY:	KJT
CHECKED BY:	CS
DESCRIPTION	ANCHOR DETAILS
SCALE:	6" = 1'-0" (1:2)
PLOT SIZE:	ANSI B (11" X 17")
SHEET NO.	8.11 36 of 42
JOB NO.	0000-00

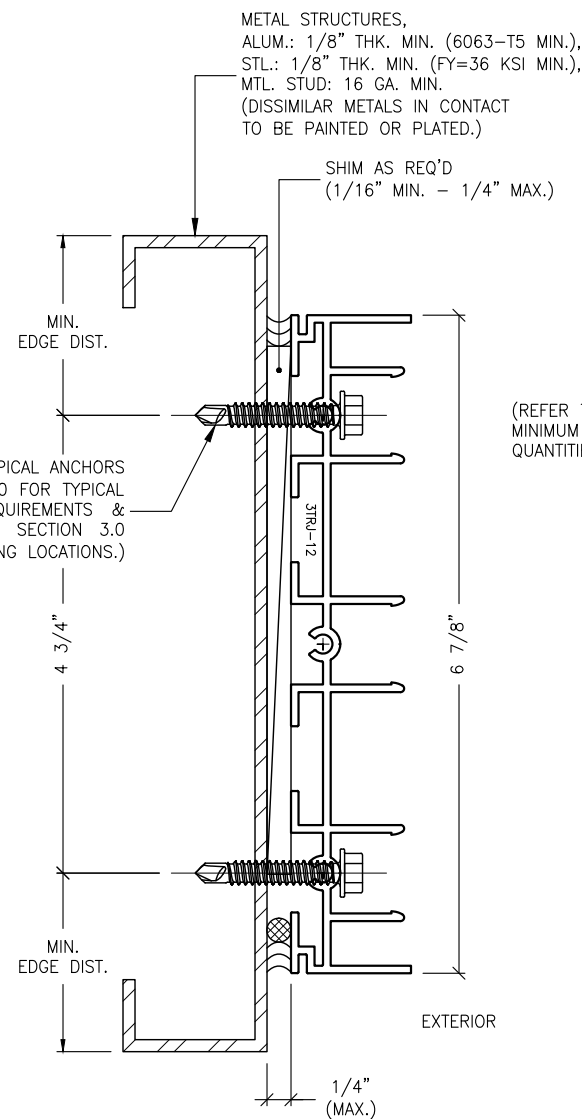




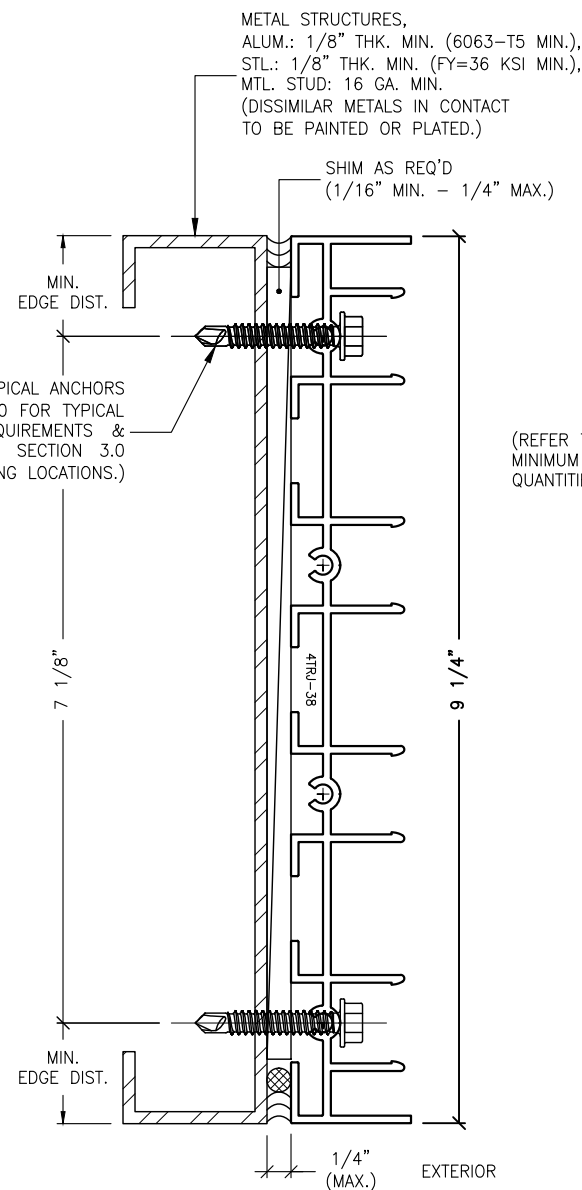
**J4.1** ANCHOR DETAIL  
**8.12** TWO-TRACK JAMB



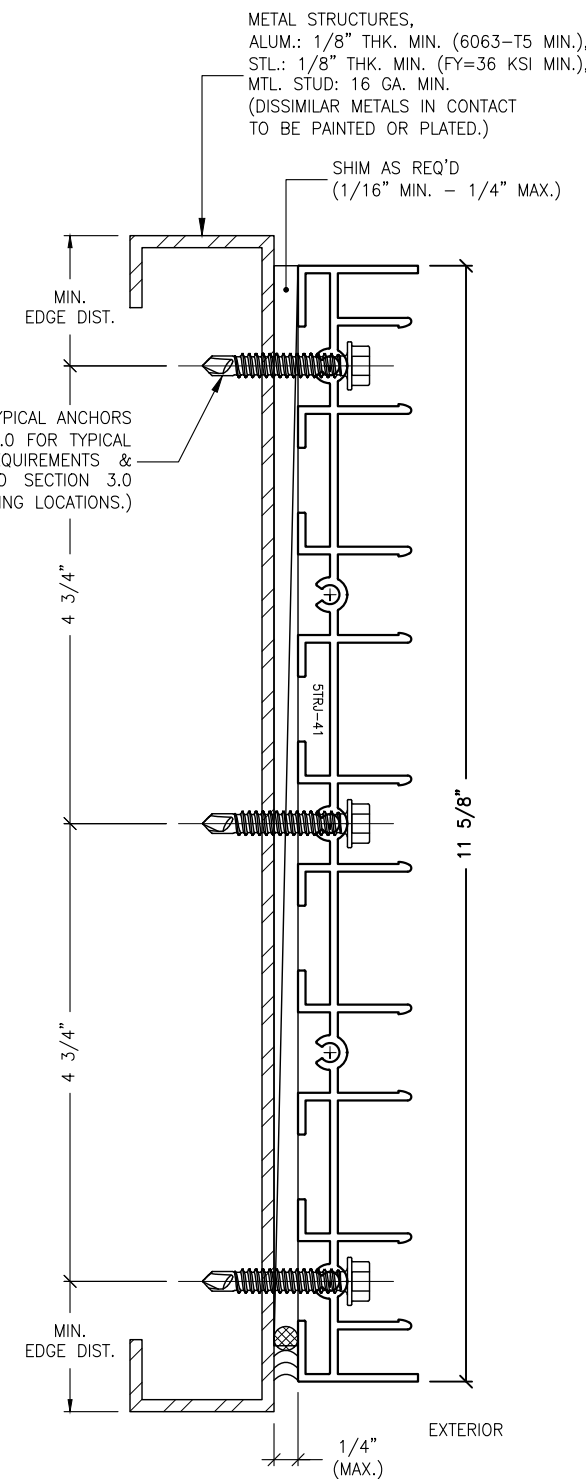
**J4.2** ANCHOR DETAIL  
**8.12** TWO-TRACK W/ SCREEN JAMB



**J4.3** ANCHOR DETAIL  
**8.12** THREE-TRACK JAMB



**J1.4** ANCHOR DETAIL  
**8.12** FOUR-TRACK JAMB



**J1.5** ANCHOR DETAIL  
**8.12** FIVE-TRACK JAMB

**IMPOSED LOADS NOTE:**  
BUILDING STRUCTURES, NOT BY VELOCITY IMPACT PRODUCTS, MUST SUPPORT AND TRANSFER LOADS IMPOSED BY GLAZING SYSTEM TO THE BUILDING STRUCTURE.

**FINISH NOTES:**  
1. INTERIOR & EXTERIOR FINISHES, (BY OTHERS) ARE NOT SHOWN FOR CLARITY.  
2. PERIMETER & JOINT SEALANTS, (BY OTHERS) TO BE RECOMMENDED IN ACCORDANCE PER ASTM E2112.  
3. WATER-PROOFING (BY OTHERS).

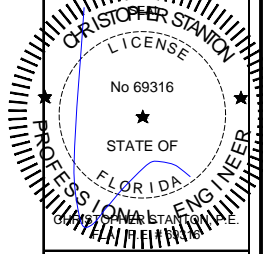
**ANCHORAGE NOTES:**  
1. THIS INSTALLATION, AS SHOWN FOR ILLUSTRATIVE REFERENCE, WITHOUT MECHANICAL ANCHORAGE, APPLIES ONLY TO SILL THRESHOLD TRACK CONDITIONS FOR TWO-TRACK, TWO-TRACK WITH SCREEN, THREE-TRACK, FOUR-TRACK & FIVE-TRACK FRAME SYSTEMS.  
2. THESE JAMBS SHALL BE INSTALLED ONTO ADEQUATELY PREPARED SUBSTRATES, DESIGNED TO WITHSTAND IMPOSED WIND LOADS REQUIREMENTS PER THE FLORIDA BUILDING CODE, (FBC) AND IS THE RESPONSIBILITY OF THE ENGINEER OF RECORD.

**J4** MECHANICAL ANCHOR, TYPE C  
**8.12** FOR TYPICAL JAMBS INTO METAL STRUCTURES

REVISIONS:	NO.	DATE	DESCRIPTION
	1		
	2		
	3		
	4		

THIS DRAWING SET IS AN INSTRUMENT OF SERVICE AND IS THE PROPERTY OF STANTON ENGINEERING, INC. AND IS NOT TO BE REPRODUCED, IN PART, OR AS A WHOLE, WITHOUT THE EXPRESSED, WRITTEN PERMISSION OF STANTON ENGINEERING, INC.

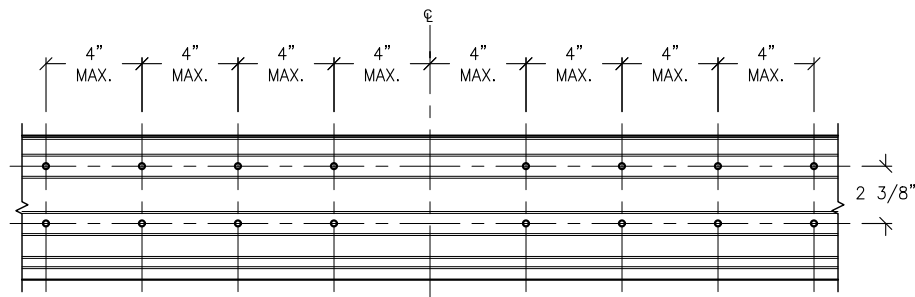
SHOP DRAWINGS ARE REVIEWED FOR STRUCTURAL CONFORMANCE ONLY!



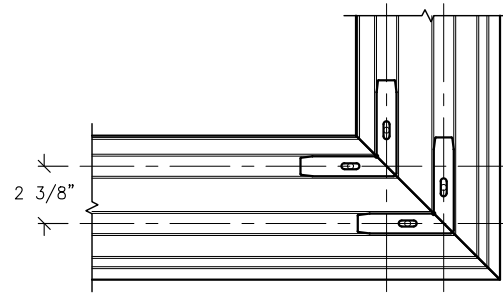
**STANTON ENGINEERING, INC.**  
STRUCTURAL ENGINEERING SERVICES  
2701 NORTHWEST BOCA RATON BOULEVARD, SUITE 204  
BOCA RATON, FLORIDA 33431  
TEL: (561) 393-1008  
FAX: (561) 393-1003

**PROJECT:** SERIES SGD 1000  
**OWNER:** SLIDING GLASS DOOR SYSTEM  
PRODUCT APPROVAL FBC (2020): FL# 31650.1  
**VELOCITY IMPACT PRODUCTS**  
2200 AVENUE L, WEST PALM BEACH, FLORIDA, 33404  
TEL: (561) 425-5740 NET: www.velocityimpactproducts.com

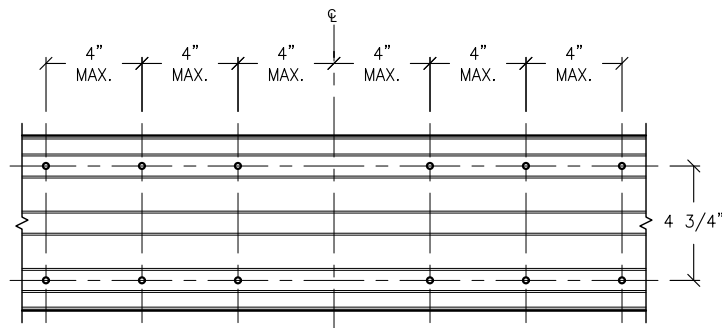
SUBMIT DATE:	01APR2019
DRAWN BY:	KJT
CHECKED BY:	CS
DESCRIPTION	ANCHOR DETAILS
SCALE:	6" = 1'-0" [1:2]
PLOT SIZE:	ANSI B (11" X 17")
SHEET NO.	8.12 37 of 42
JOB NO.	0000-00



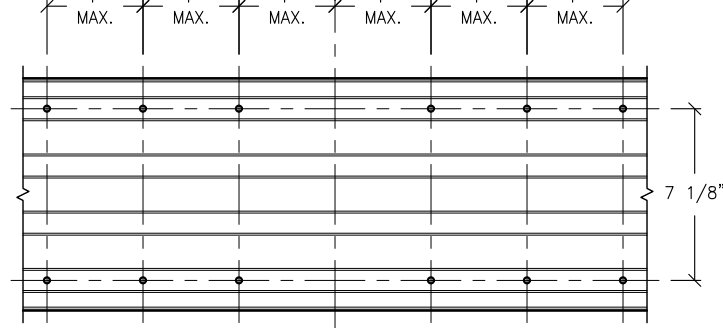
TWO-TRACK SYSTEM (W/ OR W/O SCREEN)  
(8) CLUSTER CONFIGURATION



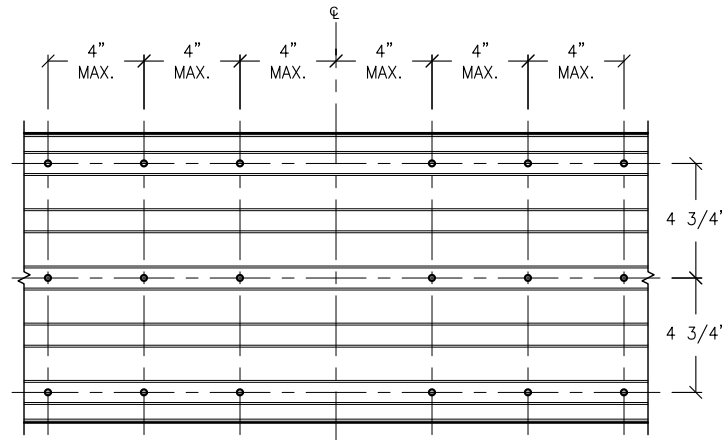
TWO-TRACK SYSTEM (W/ OR W/O SCREEN)  
CORNER SPLICE CONFIGURATION



THREE-TRACK SYSTEM  
CLUSTER CONFIGURATION



FOUR-TRACK SYSTEM  
CLUSTER CONFIGURATION



FIVE-TRACK SYSTEM  
CLUSTER CONFIGURATION

**1 CLUSTER DETAIL**  
**8.13 TYP. CONFIGURATIONS FOR ALL TRACK SYSTEMS**

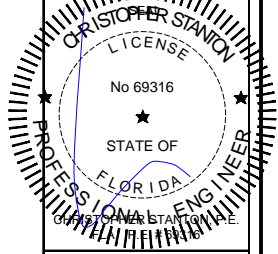
- ANCHOR CLUSTER NOTES:**
1. FOR TWO-TRACK, (W/ & W/O SCREEN) SYSTEMS, ANCHOR CLUSTERS ARE INSTALLED AT 4" MAX. FROM C.L. INTERLOCKS & STILES, AND IN ROWS TO MAINTAIN SPACING AT 4" MAX. FROM NEAREST ADJACENT ANCHOR.
  2. FOR ALL OTHER TRACK SYSTEMS, ANCHOR CLUSTERS ARE INSTALLED AT 4" MAX. FROM C.L. INTERLOCKS & STILES, AND SPACED AT 4" MAX. O.C.
  3. A(8), B(8) & C(8) ANCHORS, TYPES A, B & C;  
(2) ROWS OF (2) EA. SIDE OF INTERLOCKS & STILES.
  4. B1(8) ANCHORS, TYPE B; SPACING AT 4" C/C;  
(2) ROWS OF (2) EA. SIDE OF INTERLOCKS & STILES.
  5. REFER TO SHEET 7.0 FOR ANCHORAGE REQUIREMENTS.

- ANCHOR NOTES:**
1. FOR ANCHOR LAYOUT AND LOCATIONS, REFER TO SECTION 3.0.
  2. USE THE CHARTS ON THIS SHEET, IN CONJUNCTION WITH GLAZING DESIGN LOAD CAPACITY CHARTS IN SECTION 6.0 FOR APPLICABLE VALUES CONTROL.
  3. FOR SUBSTRATE ANCHORING CONDITIONS, REFER TO THE FOLLOWING:  
  
AT HEAD: SHEETS 8.0 THRU 8.3;  
AT SILL: SHEETS 8.4 THRU 8.8;  
AT JAMBS: SHEETS 8.9 THRU 8.12.

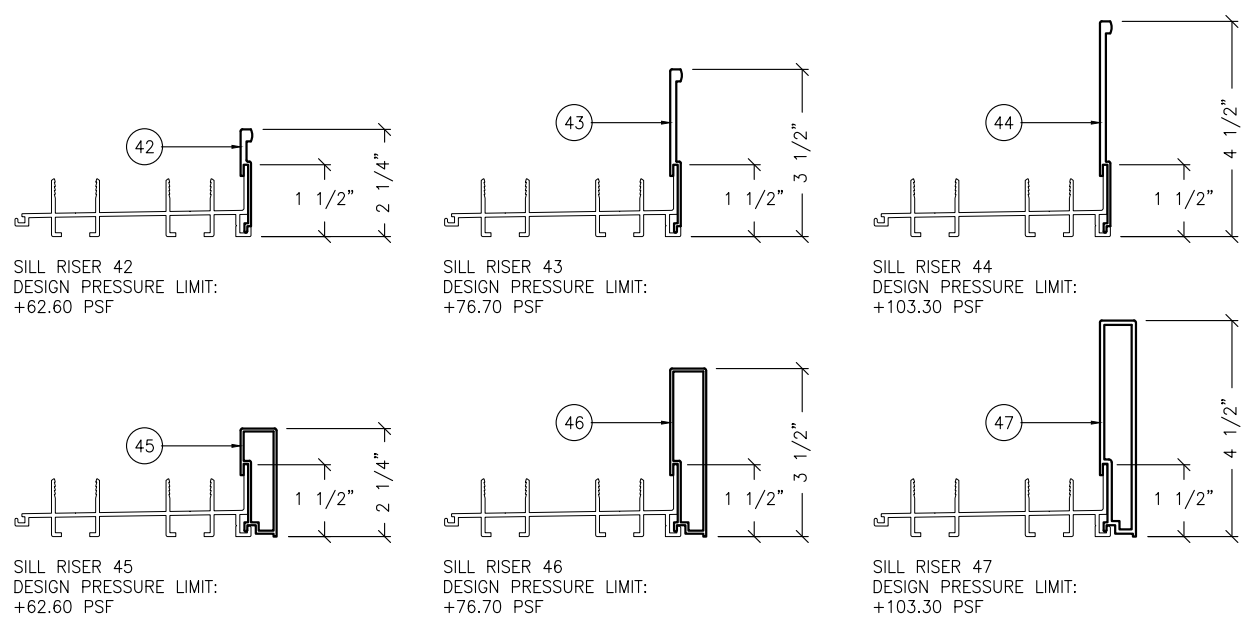
REVISIONS:	NO.	DATE	DESCRIPTION
	1		
	2		
	3		
	4		

THIS DRAWING SET IS AN INSTRUMENT OF SERVICE AND IS THE PROPERTY OF STANTON ENGINEERING, INC. AND IS NOT TO BE REPRODUCED, IN PART, OR AS A WHOLE, WITHOUT THE EXPRESSED, WRITTEN PERMISSION OF STANTON ENGINEERING, INC.

SHOP DRAWINGS ARE REVIEWED FOR STRUCTURAL DETAILS ONLY!



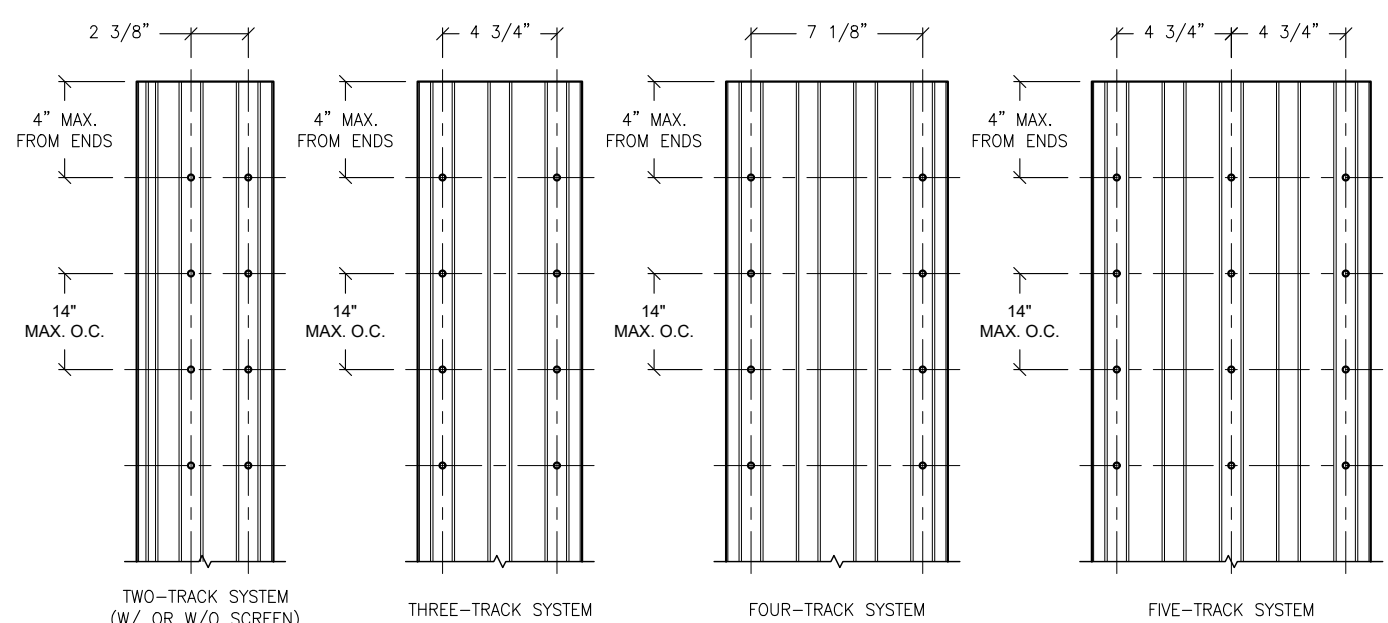
**STANTON ENGINEERING, INC.**  
STRUCTURAL ENGINEERING SERVICES  
2701 NORTHWEST BOCA RATON BOULEVARD, SUITE 204  
BOCA RATON, FLORIDA 33431  
TEL: (561) 393-1008  
FAX: (561) 393-1003



**SILL RISER MAXIMUM HEIGHTS**

FLUSH SILL	(1-1/2")	*SEE NOTES
LOW RISER	(2-1/4")	+62.60
MEDIUM RISER	(3-1/2")	+76.70 (11.5 PSF WATER)
HIGH RISER	(4-1/2")	+103.30 (15.5 PSF WATER)

- NOTES:**
1. FLUSH SILL CONDITION IS NOT RATED FOR WATER RESISTANCE AND FOR USE ONLY WHERE WATER INFILTRATION RATING CRITERIA IS NOT REQUIRED.
  2. MAXIMUM POSITIVE DESIGN PRESSURES, AS SHOWN, MAY BE USED WHERE DOOR IS PROTECTED BY AN OVERHANG IN COMPLIANCE WITH THE CURRENT FLORIDA BUILDING CODE.



**2 JAMB ANCHORS**  
**8.13 TYP. CONFIGURATIONS FOR ALL TRACK SYSTEMS**

**JAMB ANCHOR NOTE:**  
REDUCE JAMB ANCHOR SPACING TO 8" MAX. O.C. WHEN INSTALLED INTO HOLLOW & GROUT-FILLED CMU BLOCK.

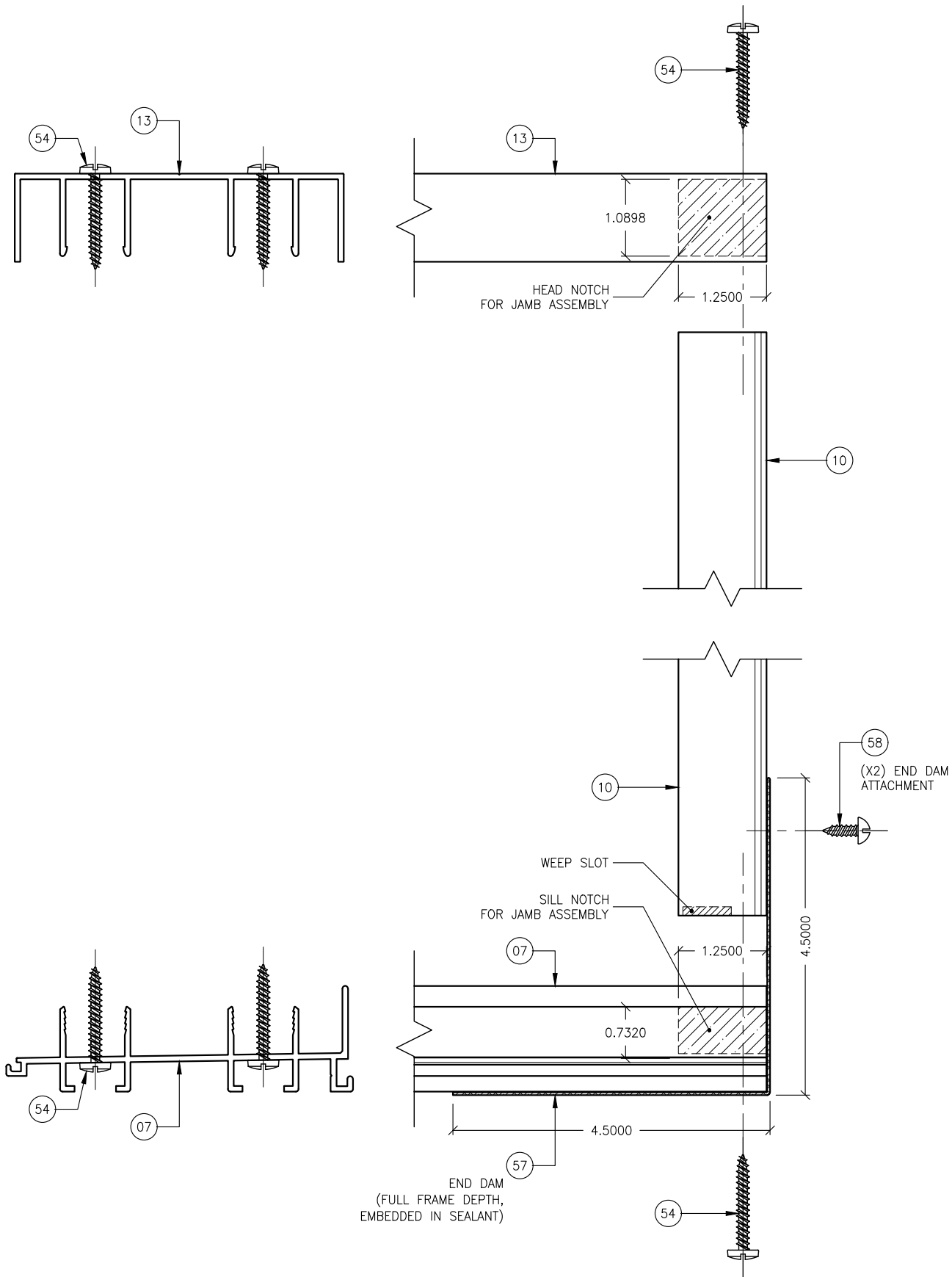
**3 SILL RISERS**  
**8.13 OPTIONS FOR ALL TRACK SYSTEMS**

**PROJECT:** SERIES SGD 1000  
**OWNER:** SLIDING GLASS DOOR SYSTEM  
PRODUCT APPROVAL FBC (2020): FL# 31650.1

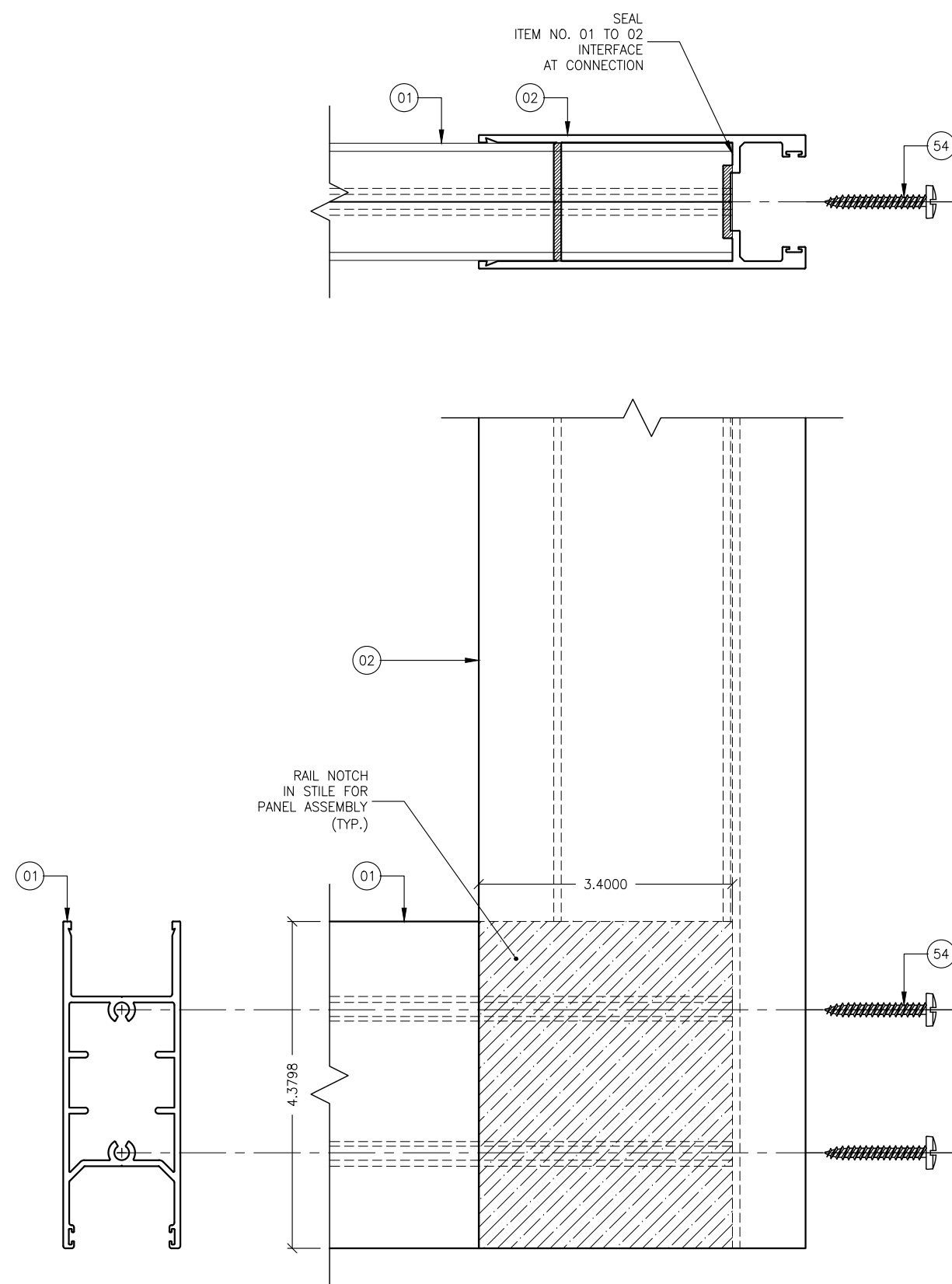
**VELOCITY IMPACT PRODUCTS**  
2200 AVENUE L, WEST PALM BEACH, FLORIDA, 33404  
TEL: (561) 428-5740 NET: www.velocityimpactproducts.com

SUBMIT DATE:	01APR2019
DRAWN BY:	KJT
CHECKED BY:	CS
DESCRIPTION <b>ANCHOR DETAILS</b>	
SCALE:	3" = 1'-0" [1:4]
PLOT SIZE:	ANSI B (11" X 17")
SHEET NO. <b>8.13</b> 38 of 42	
JOB NO. 0000-00	





FC.1 FRAME CONNECTION DETAIL  
8.14 W/O SCREEN, TYP.

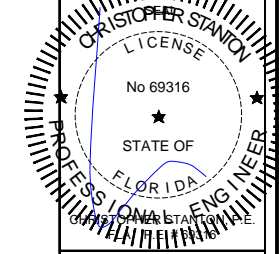


FC.1 PANEL CORNER CONNECTION DETAIL  
8.14 TYPICAL

REVISIONS:	NO.	DATE	DESCRIPTION
	1		
	2		
	3		
	4		

THIS DRAWING SET IS AN INSTRUMENT OF SERVICE AND IS THE PROPERTY OF STANTON ENGINEERING, INC. AND IS NOT TO BE REPRODUCED, IN PART, OR AS A WHOLE, WITHOUT THE EXPRESSED, WRITTEN PERMISSION OF STANTON ENGINEERING, INC.

SHOP DRAWINGS ARE REVIEWED FOR STRUCTURAL DETAILS ONLY!



**STANTON ENGINEERING, INC.**  
STRUCTURAL ENGINEERING SERVICES  
2701 NORTHWEST BOCA RATON BOULEVARD, SUITE 204  
BOCA RATON, FLORIDA 33431  
TEL: (561) 393-1008  
FAX: (561) 393-1003

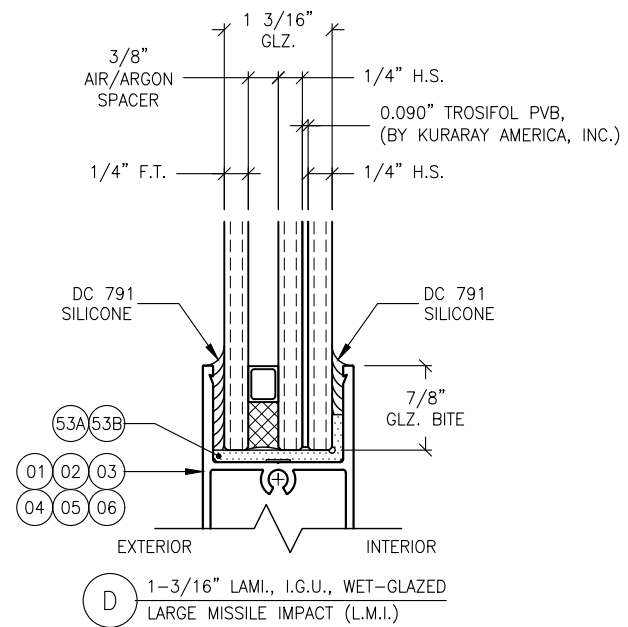
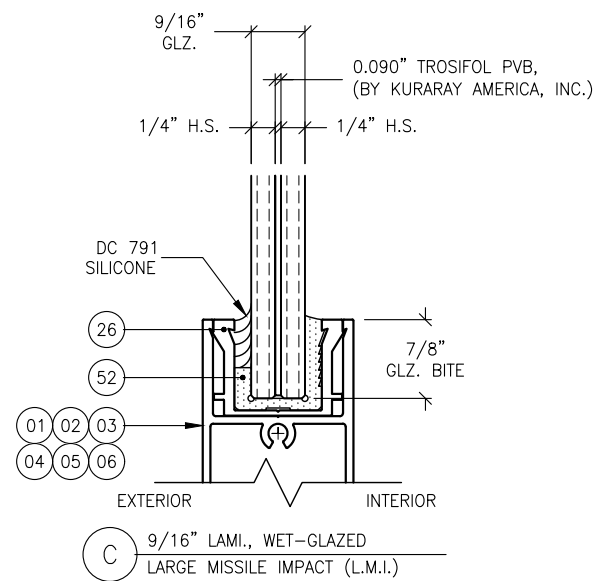
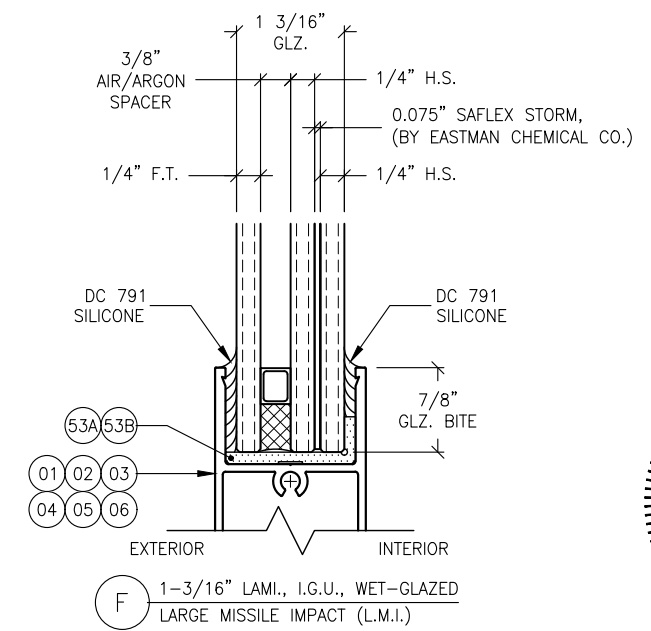
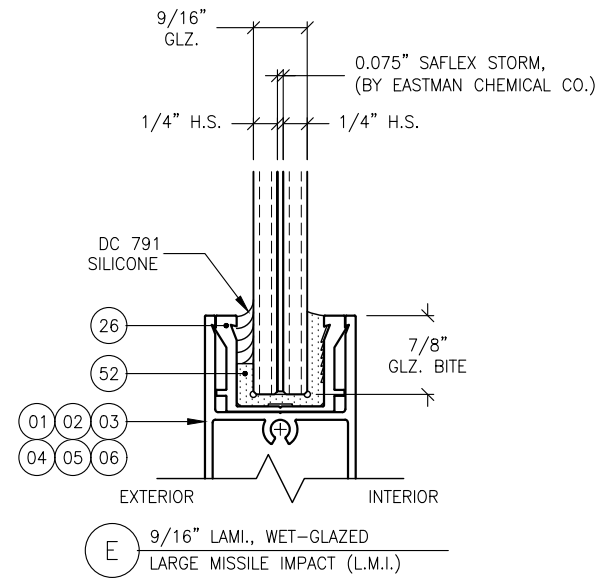
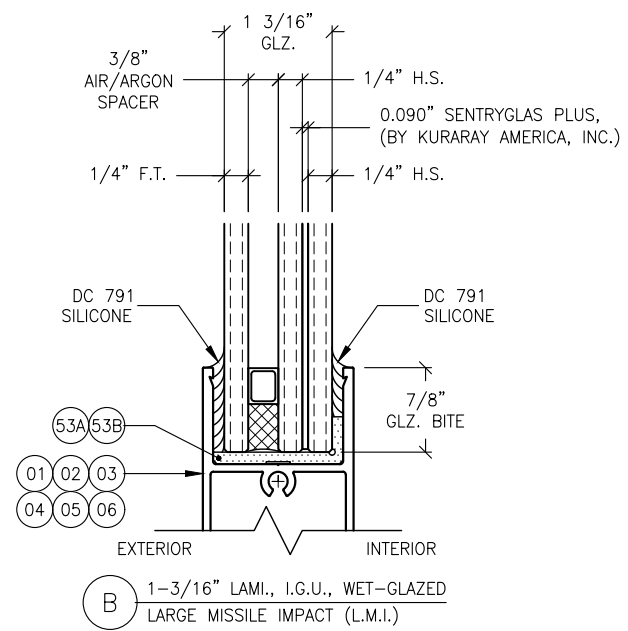
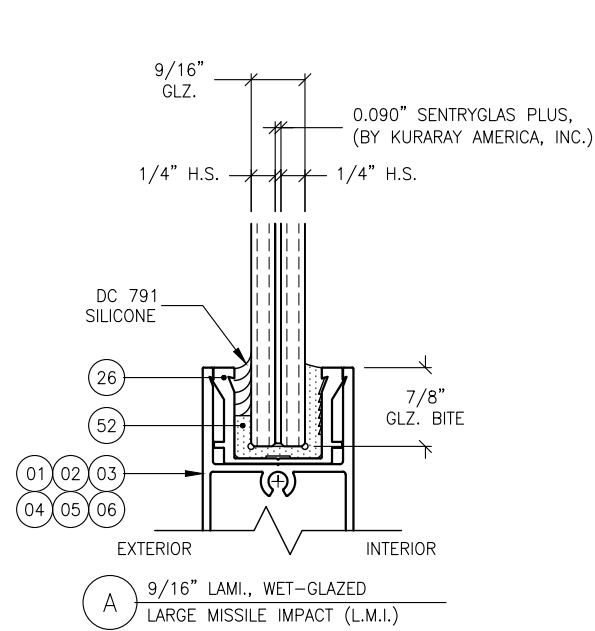
PROJECT: **SERIES SGD 1000**  
OWNER: **VELOCITY IMPACT PRODUCTS**  
SLIDING GLASS DOOR SYSTEM  
PRODUCT APPROVAL FBC (2020): FL# 31650.1  
2200 AVENUE L, WEST PALM BEACH, FLORIDA, 33404  
TEL: (561) 4285740 NET: www.velocityimpactproducts.com

SUBMIT DATE: 01APR2019  
DRAWN BY: KJT  
CHECKED BY: CS

DESCRIPTION  
ANCHOR DETAILS

SCALE: 6" = 1'-0" [1:2]  
PLOT SIZE: ANSI B (11" X 17")

SHEET NO.  
**8.14** 39 of 42  
JOB NO. 0000-00

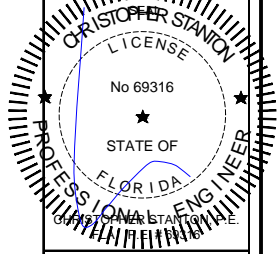


**1** GLAZING OPTIONS  
**9.0** TYPICAL MAKE-UP COMPOSITIONS

REVISIONS:	NO.	DATE	DESCRIPTION
	1		
	2		
	3		
	4		

THIS DRAWING SET IS AN INSTRUMENT OF SERVICE AND IS THE PROPERTY OF STANTON ENGINEERING, INC. AND IS NOT TO BE REPRODUCED, IN PART, OR AS A WHOLE, WITHOUT THE EXPRESSED, WRITTEN PERMISSION OF STANTON ENGINEERING, INC.

SHOP DRAWINGS ARE REVIEWED FOR STRUCTURAL DETAILS ONLY!

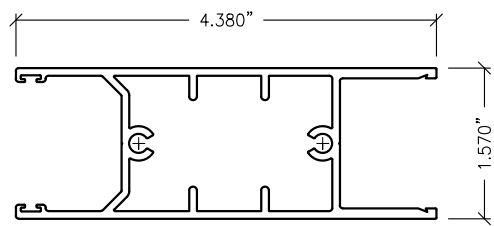


**STANTON ENGINEERING, INC.**  
STRUCTURAL ENGINEERING SERVICES  
2701 NORTHWEST BOCA RATON BOULEVARD, SUITE 204  
BOCA RATON, FLORIDA 33431  
TEL: (561) 393-1008  
FAX: (561) 393-1003

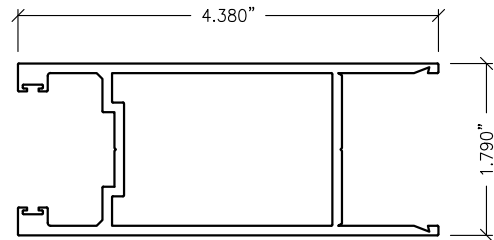
PROJECT: **VELOCITY IMPACT PRODUCTS**  
OWNER: **VELOCITY IMPACT PRODUCTS**  
2200 AVENUE L, WEST PALM BEACH, FLORIDA, 33404  
TEL: (561) 428-5740 NET: www.velocityimpactproducts.com

SUBMIT DATE: 01APR2019  
DRAWN BY: KJT  
CHECKED BY: CS

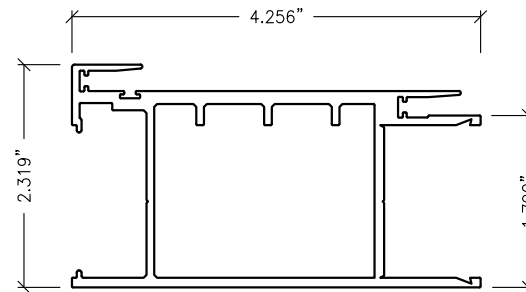
DESCRIPTION: **GLAZING OPTIONS**  
SCALE: 6" = 1'-0" [1:2]  
PLOT SIZE: ANSI B (11" X 17")  
SHEET NO. **9.0** 40 of 42  
JOB NO. 0000-00



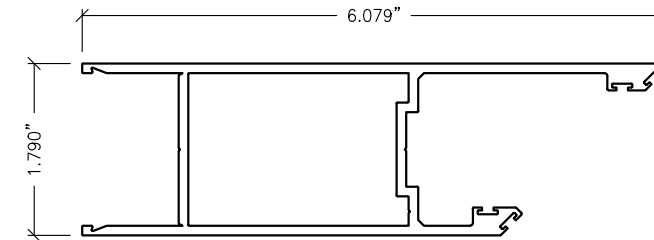
01 STD. DOOR RAIL  
DR-1



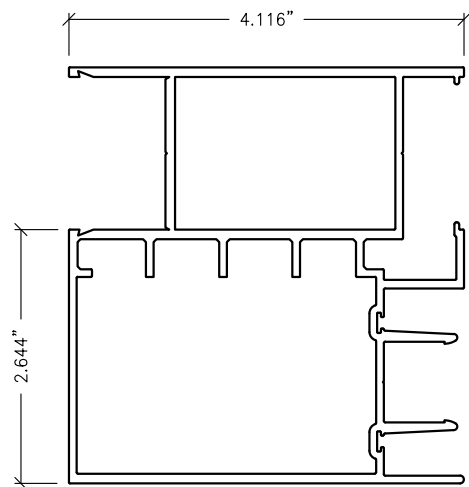
02 STD. DOOR STILE  
DS-2



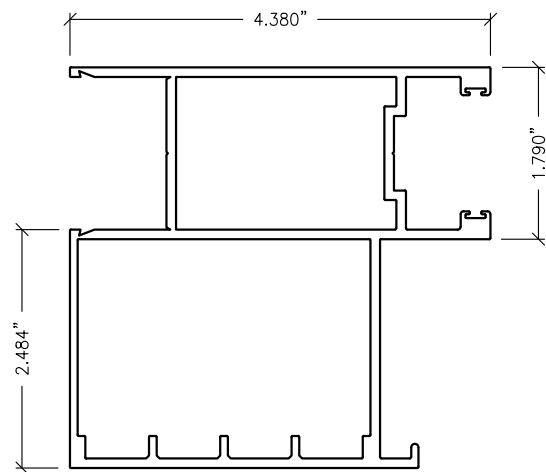
03 INTERLOCK STILE  
IL-3



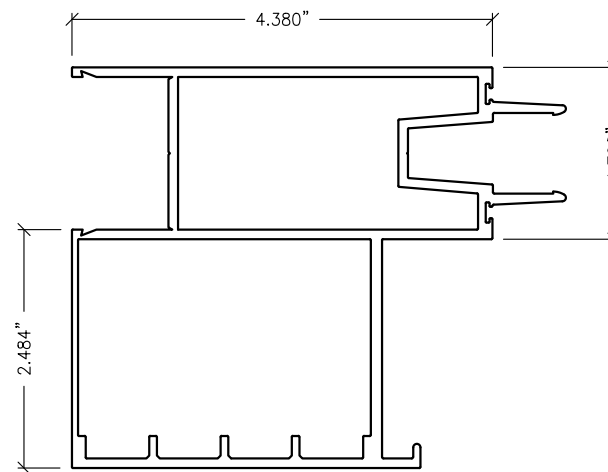
36 CORNER DOOR STILE  
DS-2.45



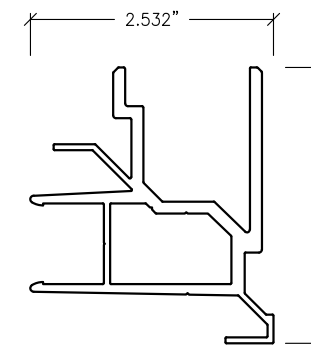
04 BUTT STILE (OFFSET)  
BS-4



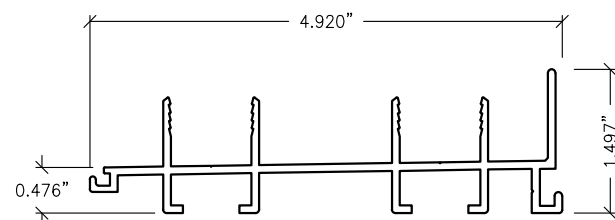
05 INTERLOCK BUTT STILE (FEMALE)  
LIL-5



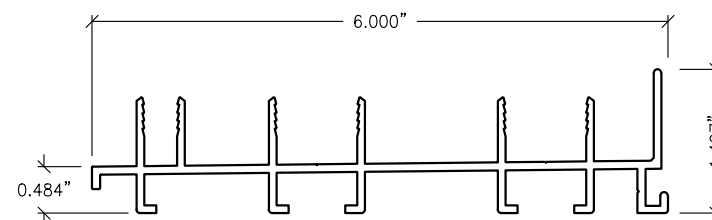
06 LOCK BUTT STILE (MALE)  
LIL-6



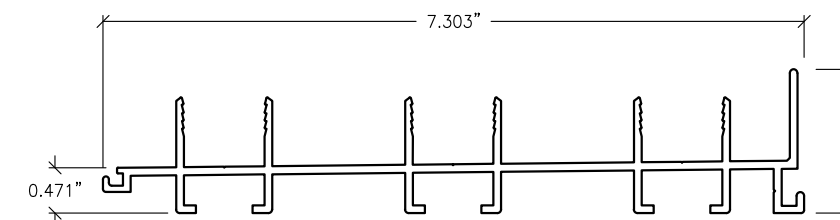
37 CORNER DOOR ADAPTER  
ADPT-2.45



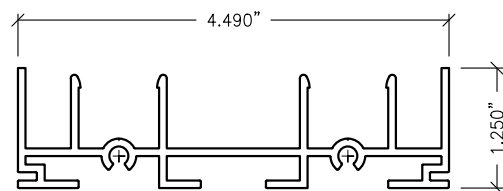
07 TWO-TRACK SILL  
2TRS-7



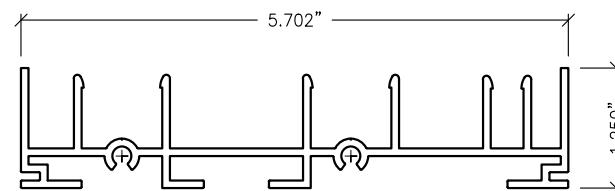
08 TWO-TRACK SILL (W/ SCREEN)  
2TWS-8



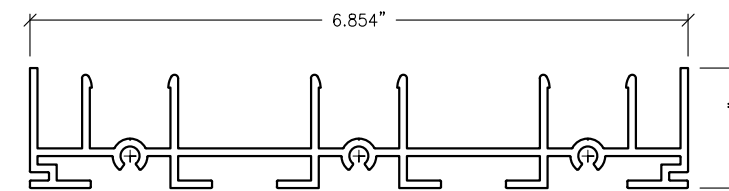
09 THREE-TRACK SILL  
3TRS-9



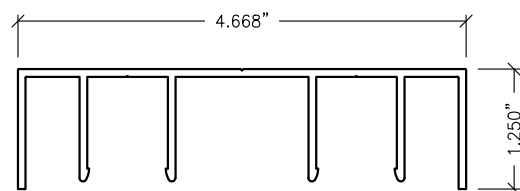
10 TWO-TRACK JAMB  
2TRJ-10



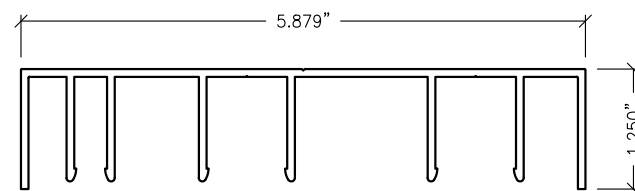
11 TWO-TRACK JAMB (W/ SCREEN)  
2TJWS-11



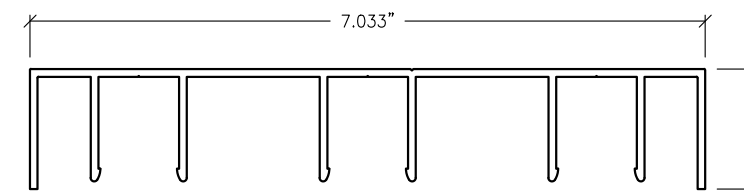
12 THREE-TRACK JAMB  
3TRJ-12



13 TWO-TRACK HEADER  
2TRH-13



14 TWO-TRACK HEADER (W/ SCREEN)  
2TRHWS-14

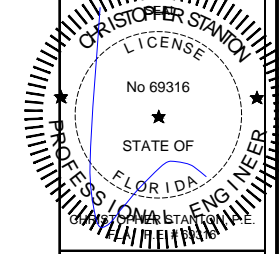


15 THREE-TRACK HEADER  
3TRH-15

REVISIONS:	NO.	DATE	DESCRIPTION
	1		
	2		
	3		
	4		

THIS DRAWING SET IS AN INSTRUMENT OF SERVICE AND IS THE PROPERTY OF STANTON ENGINEERING, INC. AND IS NOT TO BE REPRODUCED, IN PART, OR AS WHOLE, WITHOUT THE EXPRESSED, WRITTEN PERMISSION OF STANTON ENGINEERING, INC.

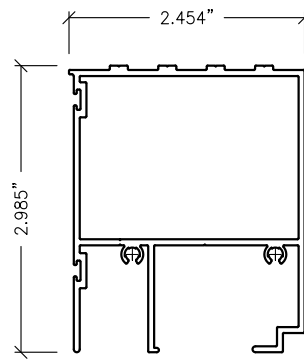
SHOP DRAWINGS ARE REVIEWED FOR STRUCTURAL DETAILS ONLY!



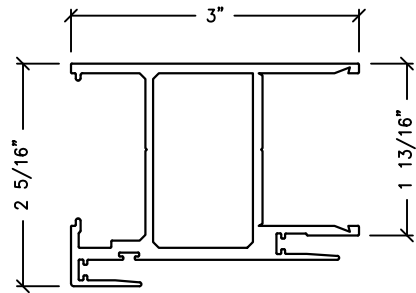
**STANTON ENGINEERING, INC.**  
STRUCTURAL ENGINEERING SERVICES  
2701 NORTHWEST BOCA RATON BOULEVARD, SUITE 204  
BOCA RATON, FLORIDA 33431  
TEL: (561) 393-1008  
FAX: (561) 393-1008

**SERIES SGD 1000**  
SLIDING GLASS DOOR SYSTEM  
PRODUCT APPROVAL FBC (2020): FL# 31650.1  
OWNER:  
**VELOCITY IMPACT PRODUCTS**  
2200 AVENUE L, WEST PALM BEACH, FLORIDA, 33404  
TEL: (561) 428-5740 NET: www.velocityimpactproducts.com

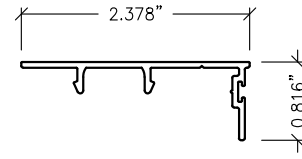
SUBMIT DATE: 01APR2019  
DRAWN BY: KJT  
CHECKED BY: CS  
DESCRIPTION  
BILL OF MATERIALS  
SCALE: 6" = 1'-0" (1:2)  
PLOT SIZE: ANSI B (11" X 17")  
SHEET NO.  
**10.0** 41 of 42  
JOB NO. 0000-00



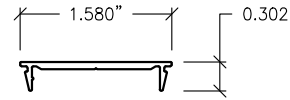
16 THRESHOLD STEP COVER  
AS-16



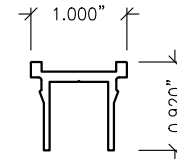
17 NARROW INTERLOCK STILE  
IL-3M



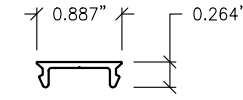
18 JAMB SNAP COVER  
AS-18



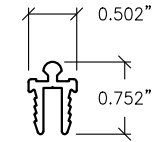
19 STILE SNAP COVER  
AS-19



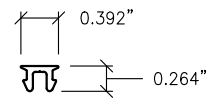
20 LOCK INSERT  
AS-21



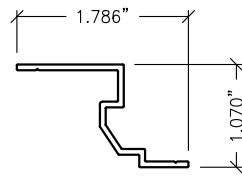
21 ANCHOR SNAP COVER  
AS-20



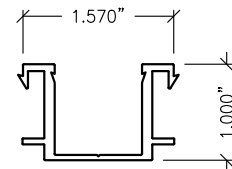
22 SNAP SCREEN GUIDE RAIL  
AS-22



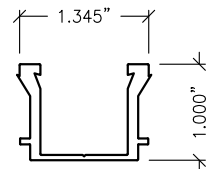
23 SCREEN SNAP COVER  
AS-23



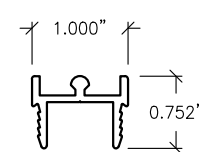
24 FIXED PANEL LOCK CLIP  
AS-36



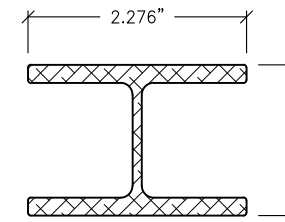
25 9/16" GLZ. STILE ADAPTER  
ADPT-25



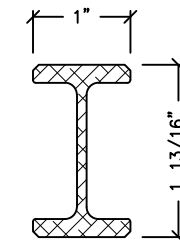
26 9/16" GLZ. RAIL ADAPTER  
ADPT-26



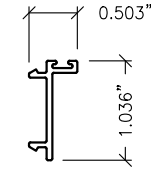
27 SNAP DOOR GUIDE RAIL  
AS-27



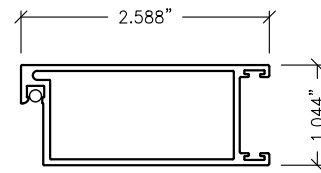
28 ALUM. REINF.  
AR-28



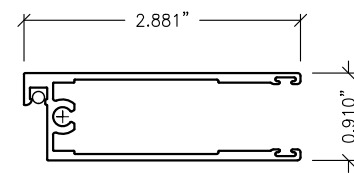
28M ALUM. REINF.  
AR-28M



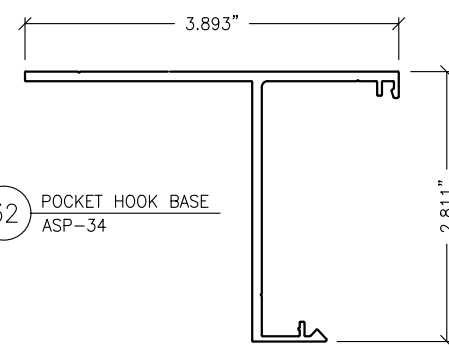
29 STILE SNAP COVER  
SCN-29



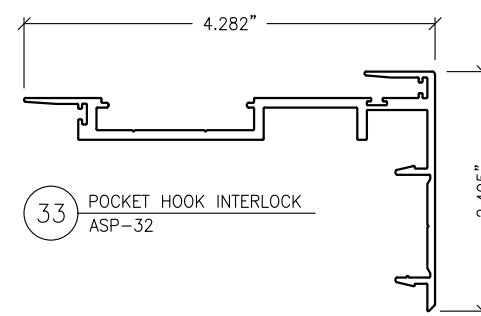
30 SCREEN STILE  
SCN-30



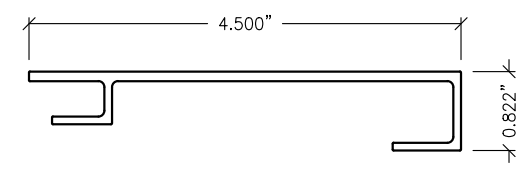
31 SCREEN RAIL  
SCN-31REV



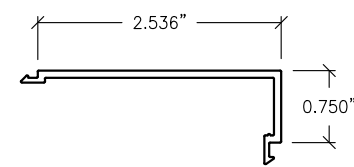
32 POCKET HOOK BASE  
ASP-34



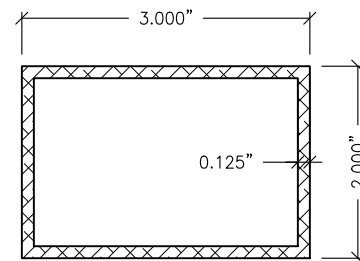
33 POCKET HOOK INTERLOCK  
ASP-32



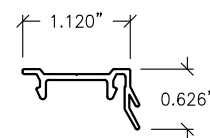
34 POCKET HOOK CATCH  
ASP-33



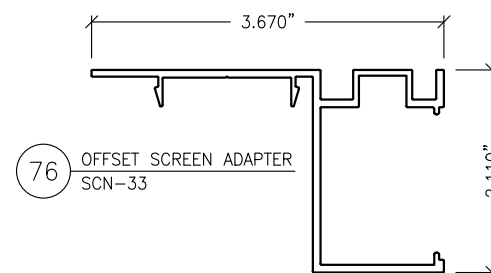
35 POCKET HOOK COVER  
ASP-35



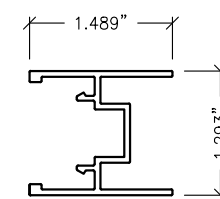
73 ALUM. TUBE REINF.  
20-61-275



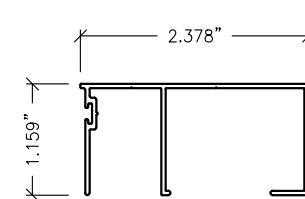
75 FIXED PANEL LOCK CLIP  
AS-24



76 OFFSET SCREEN ADAPTER  
SCN-33



77 CENTER MEET SCREEN ADAPTER  
SCN-32REV

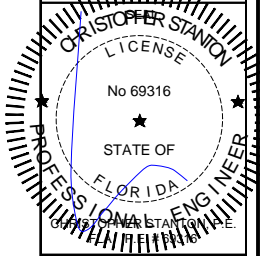


78 HEAD/SILL BUMPER COVER  
AS-17

REVISIONS:	NO.	DATE	DESCRIPTION
	1		
	2		
	3		
	4		

THIS DRAWING SET IS AN INSTRUMENT OF SERVICE AND IS THE PROPERTY OF STANTON ENGINEERING, INC. AND IS NOT TO BE REPRODUCED, IN PART, OR AS A WHOLE, WITHOUT THE EXPRESSED, WRITTEN PERMISSION OF STANTON ENGINEERING, INC.

SHOP DRAWINGS ARE REVIEWED FOR STRUCTURAL DETAILS ONLY!



**STANTON ENGINEERING, INC.**  
STRUCTURAL ENGINEERING SERVICES  
2701 NORTHWEST BOCA RATON BOULEVARD, SUITE 204  
BOCA RATON, FLORIDA 33431  
TEL: (561) 393-1008  
FAX: (561) 393-1003

**SERIES SGD 1000**  
SLIDING GLASS DOOR SYSTEM  
PRODUCT APPROVAL FBC (2020): FL# 31650.1  
**VELOCITY IMPACT PRODUCTS**  
2200 AVENUE L, WEST PALM BEACH, FLORIDA, 33404  
TEL: (561) 425-5740 NET: www.velocityimpactproducts.com

SUBMIT DATE: 01APR2019

DRAWN BY: KJT

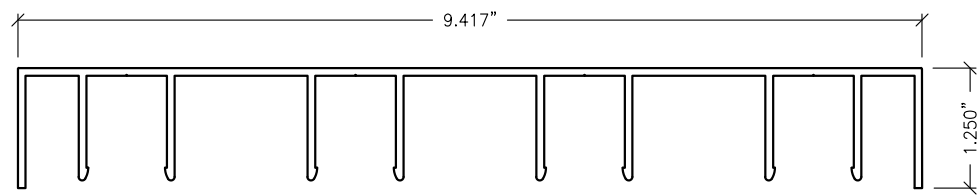
CHECKED BY: CS

DESCRIPTION  
BILL OF MATERIALS

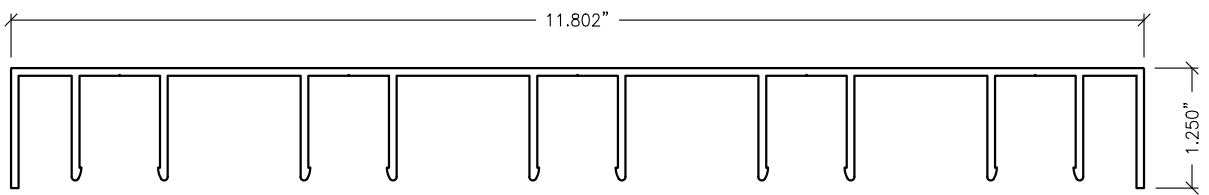
SCALE: 6" = 1'-0" (1:2)

PLOT SIZE: ANSI B (11" X 17")

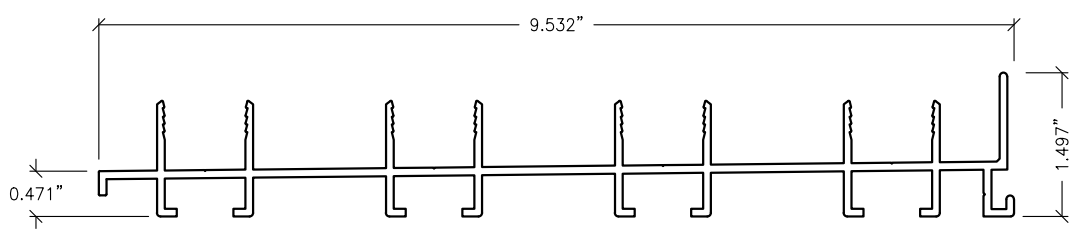
SHEET NO.  
**10.1** 42 of 42  
JOB NO. 0000-00



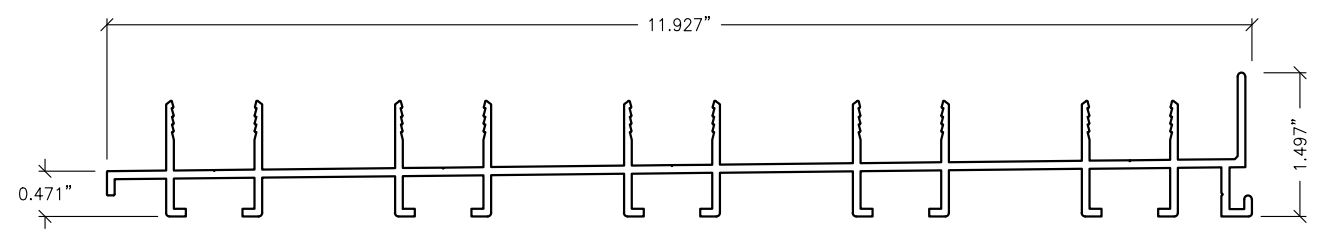
36 FOUR-TRACK HEADER  
4TRH-36



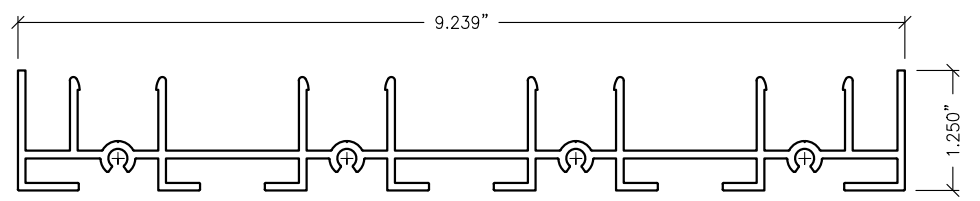
39 FIVE-TRACK HEADER  
5TRH-39



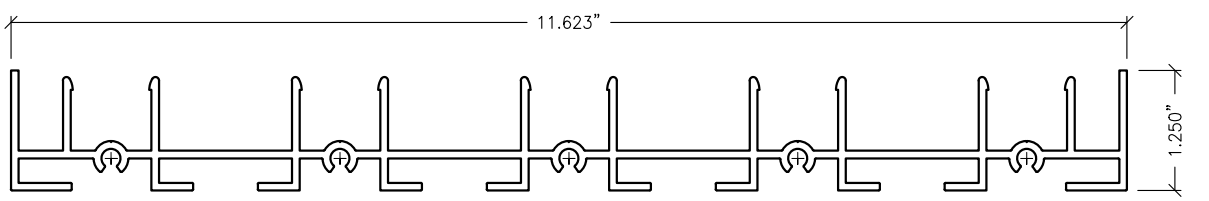
37 FOUR-TRACK SILL  
4TRS-37



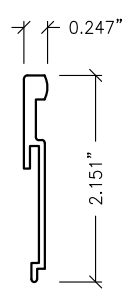
40 FIVE-TRACK SILL  
5TRS-40



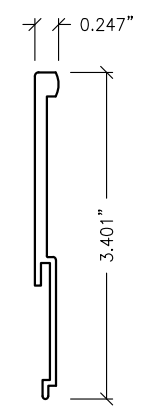
38 FOUR-TRACK JAMB  
4TRJ-38



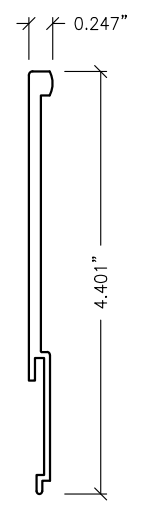
41 FIVE-TRACK JAMB  
5TRJ-41



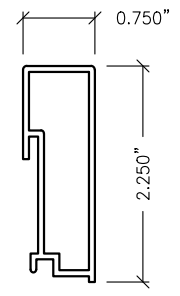
42 2-1/4" RISER  
RR-225



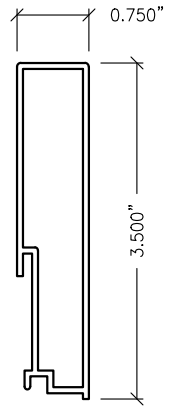
43 3-1/2" RISER  
RR-35



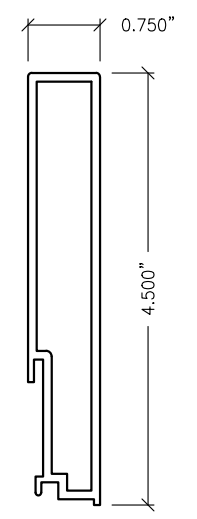
44 4-1/2" RISER  
RR-45



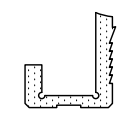
45 2-1/4" BOX RISER  
R-225



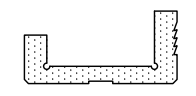
46 3-1/2" BOX RISER  
R-35



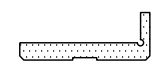
47 4-1/2" BOX RISER  
R-45



52 9/16" WET GLAZE GASKET  
EPDM-52



53A 1-3/16" WET GLAZE STILE GASKET  
EPDM-53A

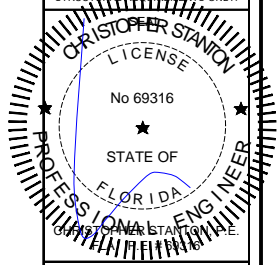


53B 1-3/16" WET GLAZE RAIL GASKET  
EPDM-53B

REVISIONS:	NO.	DATE	DESCRIPTION
	1		
	2		
	3		
	4		

THIS DRAWING SET IS AN INSTRUMENT OF SERVICE AND IS THE PROPERTY OF STANTON ENGINEERING, INC. AND IS NOT TO BE REPRODUCED, IN PART, OR AS A WHOLE, WITHOUT THE EXPRESSED, WRITTEN PERMISSION OF STANTON ENGINEERING, INC.

SHOP DRAWINGS ARE REVIEWED FOR STRUCTURAL CONFORMANCE ONLY!



**STANTON ENGINEERING, INC.**  
STRUCTURAL ENGINEERING SERVICES  
2701 NORTHWEST BOCA RATON BOULEVARD, SUITE 204  
BOCA RATON, FLORIDA 33431  
TEL: (561) 393-1008  
FAX: (561) 393-1008

PROJECT: **SERIES SGD 1000**  
OWNER: **SLIDING GLASS DOOR SYSTEM**  
PRODUCT APPROVAL FBC (2020): FL# 31650.1  
VELOCITY IMPACT PRODUCTS  
2200 AVENUE L, WEST PALM BEACH, FLORIDA, 33404  
TEL: (561) 428-5740 NET: www.velocityimpactproducts.com

SUBMIT DATE: 01APR2019

DRAWN BY: KJT

CHECKED BY: CS

DESCRIPTION  
BILL OF MATERIALS

SCALE: 6" = 1'-0" (1:2)

PLOT SIZE: ANSI B (11" X 17")

SHEET NO.  
**10.2** 43 of 42  
JOB NO. 0000-00

CHART 10.3.8 BILL OF MATERIALS

ITEM NO.	PART NO.	DESCRIPTION	MANUF./SUPPLIER	MATERIAL
01	DR-1	STANDARD DOOR RAIL	KEYMARK	6063-T6
02	DS-2	STANDARD DOOR STILE	KEYMARK	6063-T6
03	IL-3	INTERLOCK STILE (STANDARD)	KEYMARK	6063-T6
04	BS-4	OFFSET BUTT STILE	KEYMARK	6063-T6
05	LIL-5	FEMALE BUTT STILE	KEYMARK	6063-T6
06	LIL-6	MALE BUTT STILE	KEYMARK	6063-T6
07	2TRS-7	TWO-TRACK SILL	KEYMARK	6063-T6
08	2TWS-8	TWO-TRACK SILL (W/SCREEN)	KEYMARK	6063-T6
09	3TRS-9	THREE TRACK SILL	KEYMARK	6063-T6
10	2TRJ-10	TWO-TRACK JAMB	KEYMARK	6063-T6
11	2TJWS-11	TWO-TRACK JAMB (W/SCREEN)	KEYMARK	6063-T6
12	3TRJ-12	THREE-TRACK JAMB	KEYMARK	6063-T6
13	2TRH-13	TWO-TRACK HEADER	KEYMARK	6063-T6
14	2TRHWS-14	TWO-TRACK HEADER (W/SCREEN)	KEYMARK	6063-T6
15	3TRH-15	THREE TRACK HEADER	KEYMARK	6063-T6
16	AS-16	3-1/2" THRESHOLD STEP COVER	KEYMARK	6063-T6
17	IL-3M	NARROW INTERLOCK	KEYMARK	6063-T6
18	AS-18	JAMB SNAP COVER	KEYMARK	6063-T6
19	AS-19	STILE SNAP COVER	KEYMARK	6063-T6
20	AS-21	LOCK INSERT	KEYMARK	6063-T6
21	AS-20	ANCHOR SNAP COVER	KEYMARK	6063-T6
22	AS-22	SNAP SCREEN GUIDE RAIL	KEYMARK	6063-T6
23	AS-23	SCREEN JAMB SNAP COVER	KEYMARK	6063-T6
24	AS-36	FIXED PANEL HOLD BACK CLIP	KEYMARK	6063-T6
25	ADPT-25	9/16" GLZ STILE ADAPTER	KEYMARK	6063-T6
26	ADPT-26	9/16" GLZ RAIL ADAPTER	KEYMARK	6063-T6
27	AS-27	SNAP DOOR GUIDE RAIL	KEYMARK	6063-T6
28	AR-28	ALUM REINF. (STANDARD INTERLOCK)	KEYMARK	6005A-T6
28M	AR-28M	ALUM REINF. (NARROW INTERLOCK)	KEYMARK	6061-T6
29	SCN-29	SCREEN STILE SNAP COVER	KEYMARK	6063-T6
30	SCN-30	SCREEN STILE	KEYMARK	6063-T6
31	SCN-31REV	SCREEN RAIL	KEYMARK	6063-T6
32	ASP-34	POCKET HOOK BASE	KEYMARK	6063-T6
33	ASP-32	POCKET HOOK INTERLOCK	KEYMARK	6063-T6
34	ASP-33	POCKET HOOK CATCH	KEYMARK	6063-T6
35	ASP-35	POCKET HOOK COVER	KEYMARK	6063-T6
36	DS-2.45	CORNER DOOR STILE	KEYMARK	6063-T6
37	ADPT-2.45	CORNER DOOR STILE ADAPTER	KEYMARK	6063-T6
38	-	#12 X 2 ASSEMBLY SCREW	VARIES	SST (ED)
39	-	N/A	-	-
40	-	N/A	-	-
41	-	N/A	-	-
42	RR-225	2-1/4" FLAT RISER	KEYMARK	6063-T6
43	RR-35	3-1/2" FLAT RISER	KEYMARK	6063-T6
44	RR-45	4-1/2" FLAT RISER	KEYMARK	6063-T6
45	R-225	2-1/4" BOX RISER	KEYMARK	6063-T6
46	R-35	3-1/2" BOX RISER	KEYMARK	6063-T6
47	R-45	4-1/2" BOX RISER	KEYMARK	6063-T6

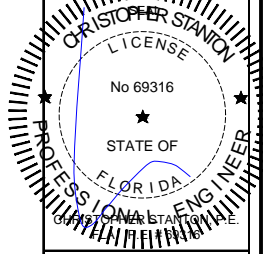
CHART 10.3.9 BILL OF MATERIALS (CONT.)

ITEM NO.	PART NO.	DESCRIPTION	MANUF./SUPPLIER	MATERIAL
48A	WHLCS-48A	CAST WHEEL ASSEMBLY, NYLON ROLLER	SULLIVAN ASSOC.	SST/NYLON
48B	WHLCS-48B	CAST WHEEL ASSEMBLY, SST ROLLER	SULLIVAN ASSOC.	SST/SST
48C	WHLCS-48C	CAST WHEEL ASSEMBLY, POLYMER ROLLER	INTERLOCK USA	SST/POLYMER
48D	WHLCS-48D	CAST WHEEL ASSEMBLY, SST ROLLER	INTERLOCK USA	SST/SST
49	SCN-29A	SCREEN ROLLER	SULLIVAN ASSOC.	ALUM/NYLON
50	LCKSTP-50	LOCK STOP	CUSTOM HARDWARE	SST
51	LCKSTP-51	LOCK STOP	INTERLOCK USA	DIE-CAST/SST
52	EPDM-52	9/16" WET GLZ. GASKET	CENTRAL PLASTICS	EPDM RUBBER
53A	EPDM-53A	1-3/16" STILE WET GLZ. GASKET	CENTRAL PLASTICS	EPDM RUBBER
53B	EPDM-53B	1-3/16" RAIL WET GLZ. GASKET	CENTRAL PLASTICS	EPDM RUBBER
54	-	#12 X 1-1/2" ASSEMBLY SCREW	VARIES	SST
55	FSP-55	STRIKE PLATE	CUSTOM HARDWARE	SST
56	ASP-56	STRIKE PLATE	INTERLOCK USA	DIE-CAST/SST
57	ED-57	END DAM	VARIES	ALUM
58	-	#10 X 3/8" ASSEMBLY SCREW	VARIES	SST
59	WQ32019	0.187" X .200" WEATHER STRIP	ULTRAFAB	POLYPROPYLENE
60	E201	0.187" X .145" BULB WEATHER STRIP	ULTRAFAB	TPE/POLYPROPYLENE
61	P7599	2.43" X 1.375" HEAD ULTRAPLUG	ULTRAFAB	POLYPROPYLENE
62	P5599	2.43" X 1.375" SILL ULTRAPLUG	ULTRAFAB	POLYPROPYLENE
63	P5044	0.440" X 1.375" STILE ULTRAFIN	ULTRAFAB	POLYPROPYLENE
64	P7505	1.350" X .969" RAIL ULTRAPILE	ULTRAFAB	POLYPROPYLENE
65	P7599	2.43" X .500" HEAD ULTRAPLUG (POCKET)	ULTRAFAB	POLYPROPYLENE
66	-	#10 X 3/4" ASSEMBLY SCREW	VARIES	SST
67	-	#10 X 1-1/2" ASSEMBLY SCREW	VARIES	SST
68	-	#12 X 3" ASSEMBLY SCREW	VARIES	SST
69	2RF-3X-0750	FOAM BAFFLE, 30PPI (0.075" X 0.875" X 1.50")	FRANK LOWE	RETICULATED FOAM
70	-	DOW 791	DOW CORNING	SILICONE
71	AC-XX	WHEEL ADJUSTMENT HOLE COVER	VARIES	POLYMER
72	PB-XX	PANEL BUMPER	VARIES	POLYMER
73	20-61-275	ALUM. REINF.	VARIES	6061-T6
74	W132719	0.187" X .270" WEATHER STRIP	ULTRAFAB	POLYPROPYLENE
75	AS-24	FIXED PANEL HOLD BACK CLIP	KEYMARK	6005A-T6
76	SCN-33	OFFSET SCREEN ADAPTER	KEYMARK	6061-T6
77	SCN-32REV	CENTER MEET SCREEN ADAPTER	KEYMARK	6061-T6
78	AS-17	HEAD/SILL BUMPER COVER	KEYMARK	6061-T6
79	-	HANDLE	VARIES	VARIES
80	-	THUMB-TURN	VARIES	VARIES
81	-	0.185" x .070" SCREEN SPLINE	CENTRAL PLASTICS	PVC
82	-	#14 X3" INSTALLATION ANCHOR	VARIES	VARIES
83	-	1/4" x 3-1/4" HHW TAPCON	VARIES	VARIES
84	0	FRAME SPLICE	VELOCITY IMPACT PRODUCTS	PLA
85	9/16" GLZ	1/4" CLEAR H.S., 0.090" SGP, 1/4" CLEAR H.S.	VARIES	GLASS
86	1-3/16" GLZ	1/4" CLEAR TEMP, 3/8" AS, 1/4" CLEAR H.S., 0.090" SGP, 1/4" CLEAR H.S.	VARIES	GLASS
87	9/16" GLZ	1/4" CLEAR H.S., 0.090" PVB, 1/4" CLEAR H.S.	VARIES	GLASS
88	1-3/16" GLZ	1/4" CLEAR TEMP, 3/8" AS, 1/4" CLEAR H.S., 0.090" PVB, 1/4" CLEAR H.S.	VARIES	GLASS
89	9/16" GLZ	1/4" CLEAR H.S., 0.075" STORM, 1/4" CLEAR H.S.	VARIES	GLASS
90	1-3/16" GLZ	1/4" CLEAR TEMP, 3/8" AS, 1/4" CLEAR H.S., 0.075" STORM, 1/4" CLEAR H.S.	VARIES	GLASS

REVISIONS:	NO.	DATE	DESCRIPTION
	1		
	2		
	3		
	4		

THIS DRAWING SET IS AN INSTRUMENT OF SERVICE AND IS THE PROPERTY OF STANTON ENGINEERING, INC. AND IS NOT TO BE REPRODUCED, IN PART, OR AS A WHOLE, WITHOUT THE EXPRESSED, WRITTEN PERMISSION OF STANTON ENGINEERING, INC.

SHOP DRAWINGS ARE REVIEWED FOR STRUCTURAL CONFORMANCE ONLY!



**STANTON ENGINEERING, INC.**  
**STRUCTURAL ENGINEERING SERVICES**  
 2701 NORTHWEST BOCA RATON BOULEVARD, SUITE 204  
 BOCA RATON, FLORIDA 33431  
 TEL: (561) 393-1003  
 FAX: (561) 393-1008

**SERIES SGD 1000**  
 SLIDING GLASS DOOR SYSTEM  
 PRODUCT APPROVAL FBC (2020): FL# 31650.1

**VELOCITY IMPACT PRODUCTS**  
 2200 AVENUE L, WEST PALM BEACH, FLORIDA, 33404  
 TEL: (561) 425-5740 NET: www.velocityimpactproducts.com

SUBMIT DATE: 01APR2019  
 DRAWN BY: KJT  
 CHECKED BY: CS

DESCRIPTION  
 BILL OF MATERIALS

SCALE: FULL [1:1]  
 PLOT SIZE: ANSI B (11" X 17")

SHEET NO.  
**10.3** 44 of 42  
 JOB NO. 0000-00